

## MOUNTING OPTIONS

### EL Flush Mount Frame

Flush Mount Frames are designed for use with the Enviroline® Series Wall-Mount Enclosures, quickly converting the wall-mount enclosure to a flush mount enclosure.

Two part numbers are required to complete the assembly: one part number for the height of the enclosure and one part number for the width of the enclosure.

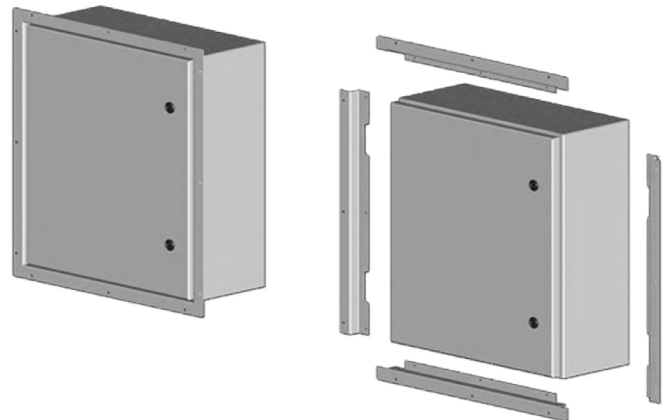
All kits are provided with hardware to assemble the frame to the enclosure and maintain the environmental rating of the enclosure. For technical information, consult our Installation Manual at [www.saginawcontrol.com](http://www.saginawcontrol.com).

Frame is made of heavy gauge steel and finished with ANSI-61 gray powder coat. "SS" parts are made of heavy gauge Type 316/316L stainless steel with #4 brushed finish.

### Wall Mount Standoffs

Wall mount standoffs are intended to provide space between a wall-mount enclosure and the wall for better wash down accessibility that is required in some applications. Provided with silicone seals to maintain seal between the standoff and the mounting surfaces. Maintains Type 4X rating. Four standoffs and eight silicone seals per kit.

Catalog No.	Enclosure Height	Enclosure Width	Product Code
SCE-ELFM12H	12.00		P2
SCE-ELFM16H	16.00		P2
SCE-ELFM20H	20.00		P2
SCE-ELFM24H	24.00		P2
SCE-ELFM30H	30.00		P2
SCE-ELFM36H	36.00		P2
SCE-ELFM12HSS	12.00		P2
SCE-ELFM16HSS	16.00		P2
SCE-ELFM20HSS	20.00		P2
SCE-ELFM24HSS	24.00		P2
SCE-ELFM30HSS	30.00		P2
SCE-ELFM36HSS	36.00		P2
SCE-ELFM12W		12.00	P2
SCE-ELFM16W		16.00	P2
SCE-ELFM20W		20.00	P2
SCE-ELFM24W		24.00	P2
SCE-ELFM30W		30.00	P2
SCE-ELFM36W		36.00	P2
SCE-ELFM12WSS		12.00	P2
SCE-ELFM16WSS		16.00	P2
SCE-ELFM20WSS		20.00	P2
SCE-ELFM24WSS		24.00	P2
SCE-ELFM30WSS		30.00	P2
SCE-ELFM36WSS		36.00	P2



Catalog No.	Length	Product Code
SCE-WMS1SS	1.00	P2
SCE-WMS2SS	2.00	P2
SCE-WMS3SS	3.00	P2
SCE-WMS4SS	4.00	P2



Phone (989) 799-6871  
Fax (989) 799-4524

**SCE** SAGINAW  
CONTROL &  
ENGINEERING  
Your Enclosure Source®