

GENERAL ACCESSORIES

Drip Shield Kit For Type 12 & 4 Enclosures

Protects door against dripping water and settling dust. Stainless steel screws and sealing washers are supplied with each kit. Made of steel and powder coated.

Provided with UL Recognized sealing washer to maintain Environmental Rating of the enclosure.

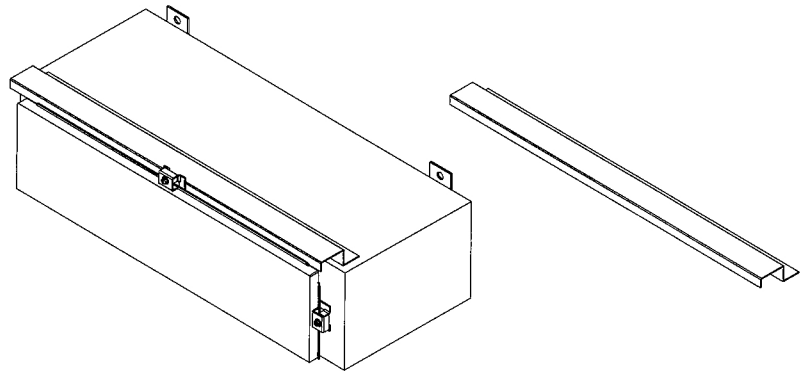
Stainless Steel Drip Shield Kit For Type 4X Enclosures

Protects door against dripping water and settling dust. Furnished with stainless steel screws and sealing washers. Kit made of stainless steel Type 304.

Provided with UL Recognized sealing washer to maintain Environmental Rating of the enclosure.

*Also available in stainless steel Type 316/316L.

Catalog No.	Fits Enclosure Width (B)	Finish	Product Code
SCE-DS12N4	12.00	ANSI-61 Gray	P2
SCE-DS16N4	16.00	ANSI-61 Gray	P2
SCE-DS20N4	20.00	ANSI-61 Gray	P2
SCE-DS24N4	24.00	ANSI-61 Gray	P2
SCE-DS30N4	30.00	ANSI-61 Gray	P2
SCE-DS36N4	36.00	ANSI-61 Gray	P2
SCE-DS42N4	42.00	ANSI-61 Gray	P2
SCE-DS48N4	48.00	ANSI-61 Gray	P2
SCE-DS60N4	60.00	ANSI-61 Gray	P2
SCE-DS72N4	72.00	ANSI-61 Gray	P2
SCE-DS12N4LG	12.00	RAL 7035 Gray	P2
SCE-DS16N4LG	16.00	RAL 7035 Gray	P2
SCE-DS20N4LG	20.00	RAL 7035 Gray	P2
SCE-DS24N4LG	24.00	RAL 7035 Gray	P2
SCE-DS30N4LG	30.00	RAL 7035 Gray	P2
SCE-DS36N4LG	36.00	RAL 7035 Gray	P2



Catalog No.	Fits Enclosure Width (B)	Product Code
SCE-DS12SS	12.00	P2
SCE-DS16SS	16.00	P2
SCE-DS20SS	20.00	P2
SCE-DS24SS	24.00	P2
SCE-DS30SS	30.00	P2
SCE-DS36SS	36.00	P2
SCE-DS42SS	42.00	P2
SCE-DS48SS	48.00	P2
SCE-DS60SS	60.00	P2
SCE-DS72SS	72.00	P2

Phone (989) 799-6871
Fax (989) 799-4524

SCE SAGINAW
CONTROL &
ENGINEERING
Your Enclosure Source®