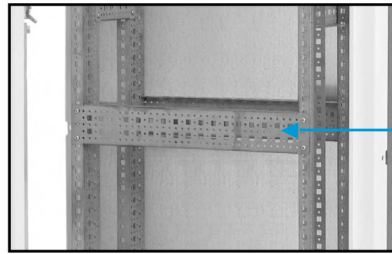


IMS (Industrial Modular System) ACCESSORIES

Horizontal Mounting Grid

Designed to provide a horizontal extension of the frame holes in the sides of the IMS enclosure. Sold in sets of two with mounting hardware included. Made of galvanized material.

Catalog No.	Width (B)	Ref. mm Width (B)	Quantity Per Kit	Product Code
SCE-HMG175	6.89	175	2	P5
SCE-HMG225	8.88	225	2	P5
SCE-HMG300	11.81	300	2	P5
SCE-HMG400	15.75	400	2	P5
SCE-HMG475	18.70	475	2	P5
SCE-HMG575	22.62	575	2	P5
SCE-HMG675	26.56	675	2	P5
SCE-HMG775	30.50	775	2	P5

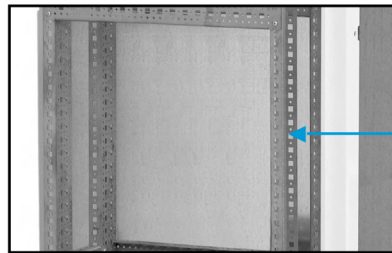


Horizontal Mounting Grid

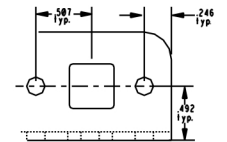
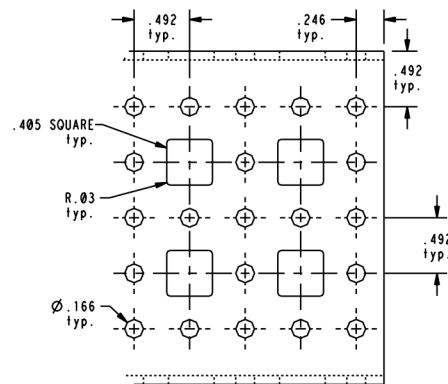
Vertical Mounting Grid

Designed to provide a vertical extension from top to bottom of the IMS enclosure. Sold in sets of two and mounting hardware is included. Made of galvanized material.

Catalog No.	Height (A)	Used With Ref. mm Height (A)	Enclosure Ref. mm Height	Quantity Per Kit	Product Code
SCE-VMG18	66.93	1687.50	1800	2	P5
SCE-VMG20	74.80	1887.50	2000	2	P5



Vertical Mounting Grid



Phone (989) 799-6871
Fax (989) 799-4524



1 Operator System Enclosures
2 Wall-Mount Enclosures
3 Free-Standing & Floor-Mounted Enclosures
4 Modular Enclosures
5 Operator System Enclosures (Stainless Steel)
6 Wall-Mount Enclosures (Stainless Steel)
7 Free-Standing & Floor-Mounted Enclosures (Stainless Steel)
8 Non-Metallic Enclosures
9 Accessories
10 Technical Information
11 Index