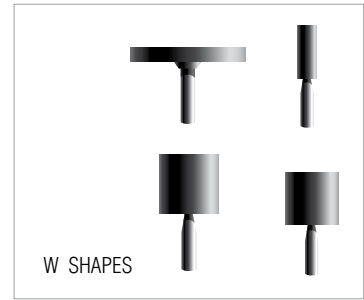


TIER:	<b>BEST</b>	<b>GOOD</b>
BRAND:	Norton	Norton
TRADENAME:	<b>QUANTUM</b>	<b>GEMINI</b>
ABRASIVE:	Ceramic Alumina	38A Aluminum Oxide



SHAPE	SIZE (D x T)	SPINDLE DIA. †	MAX. RPM*	MIN./STD. PKG.	SPEC	PART #	SPEC	PART #
<b>Vitrified Bond Mounted Points – W Shapes</b>								
W144	1/8 x 1/4	1/8	105,000	5/25			38A60-P	61463624488
W145	1/8 x 3/8	1/8	105,000	5/25			38A60-P	61463624489
W146	1/8 x 1/2	1/8	105,000	5/25			38A60-P	61463624491
W152	3/16 x 1/4	1/8	105,000	5/25			38A60-P	61463624495
W153	3/16 x 3/8	1/8	80,850	5/25			38A60-P	61463624496
W154	3/16 x 1/2	1/8	70,500	5/25	3NQ80	69083149133	38A60-P	61463624497
W160	1/4 x 1/4	1/8	81,370	5/25			38A60-P	61463624501
W162	1/4 x 3/8	1/8	64,800	5/25			38A60-P	61463624503
W163	1/4 x 1/2	1/8	60,000	5/25			38A60-P	61463624504
W164	1/4 x 3/4	1/8	45,900	5/25	3NQ80	69083149135	38A60-P	61463624505
W170	5/16 x 1/2	1/8	52,500	5/25			38A60-P	61463624511
W175	3/8 x 3/8	1/8	54,000	5/25			38A60-P	61463624516
W176	3/8 x 1/2	1/8	45,370	5/25			38A60-P	61463624517
W177	3/8 x 3/4	1/8	33,750	5/25			38A60-P	61463624518
W179	3/8 x 1-1/4	1/4	20,415	25/250	Oil & Gas 36	69083154055		
W185	1/2 x 1/2	1/8	34,500	5/25	3NQ80	69083149137	38A60-P	61463624525
W185	1/2 x 1/2	1/4	61,500	5/25			38A60-P	61463624526
W186	1/2 X 3/4	1/4	51,000	5/25			38A60-P	61463624528
W188	1/2 x 1-1/2	1/4	30,370	5/25			38A60-P	61463624530
W189	1/2 x 2	1/4	24,000	25/250	Oil & Gas 36	61463686137		
W189	1/2 x 2	1/4	24,000	5/25	3NQ80	61463677683	38A60-P	61463624531
W196	5/8 x 1	1/4	35,250	5/25			38A60-P	61463624539
W200	3/4 x 1/8	1/8	50,930	5/25			38A60-P	61463624543
W200	3/4 x 1/8	1/8	50,930	5/25			38A90-Q	61463624544
W204	3/4 x 3/4	1/4	42,750	5/25			38A60-P	61463624549
W205	3/4 x 1	1/4	34,500	5/25			38A60-P	61463624550
W208	3/4 x 2	1/4	18,750	5/25	3NQ80	61463677684	38A60-P	61463624553
W215	1 x 1/8	1/8	38,200	5/25	3NQ80	69083149138	38A60-P	61463624560
W216	1 x 1/4	1/4	38,200	5/25			38A60-P	61463624562
W218	1 x 1/2	1/4	38,200	25/250	Oil & Gas 36	69083154061		
W218	1 x 1/2	1/4	38,200	5/25			38A60-P	61463624564
W220	1 x 1	1/4	25,500	5/25	3NQ80	61463677685	38A60-P	61463624566
W221	1 x 1-1/2	1/4	19,120	5/25			38A60-P	61463624567
W222	1 x 2	1/4	15,900	5/25			38A60-P	61463624569
W230	1-1/4 x 1-1/4	1/4	20,400	5/25			38A60-P	61463624578
W235	1-1/2 x 1/4	1/4	25,470	5/25			38A60-P	61463624583
W236	1-1/2 x 1/2	1/4	25,470	5/25	3NQ80	61463677686	38A60-P	61463624585
W237	1-1/2 x 1	1/4	22,500	5/25			38A60-P	61463624587
W238	1-1/2 x 1-1/2	1/4	15,600	5/25			38A60-P	61463624588
W242	2 x 1	1/4	19,100	5/25	3NQ80	69083149148	38A60-P	61463624592

† Spindle size is 1/8" or 1/4" x 1-1/2"

\* Maximum RPM valid to 1/2" overhang. See package insert for other overhangs.



## 50-Piece Mounted Point Kits

- Each kit contains 5 each of 10 of our best selling mounted point shapes and specifications
- The 1/4" spindle kits contain "A"-shaped points that are ideal for general maintenance and metalworking applications
- The 1/8" spindle kits contain "B"-shaped points for light deburring machine parts or finishing/polishing dies
- The "W"-shaped points in all of these kits work well for precision grinding of medium to heavy stock

TIER:	<b>BEST</b>	<b>GOOD</b>
BRAND:	Norton	Norton
TRADE NAME:	<b>QUANTUM</b>	<b>GEMINI</b>

SHAPE	SPINDLE DIA. †	MIN./STD. PKG.	PART #	PART #
<b>Mounted Point Kits</b>				
Assorted	1/4	1	50 piece Premium Norton Quantum 1/4" Spindle Mounted Point Kit contains 5 each of Norton Quantum A1, A5, A11, A21, A23, A26, A36, A39, W242, and A80-HBF3 W220	69083147810
Assorted	1/8	1	50 piece Premium Norton Quantum 1/8" Spindle Mounted Point Kit contains 5 each of Norton Quantum B42, B52, B97, B122, B131, W154, W164, W185, W215, and A80-HBF3 W163	69083147806
Assorted	1/4	1	50 piece Norton Gemini 1/4" Spindle Mounted Point Kit contains 5 each of 38A60-P A1, A5, A11, A21, A23, A26, A36, A39, W242, and A80-HBF3 W220	69083147789
Assorted	1/8	1	50 piece Norton Gemini 1/8" Spindle Mounted Point Kit contains 5 each of 38A60-P B42, B52, B97, B122, B131, W154, W164, W185, W215, and A80-HBF3 W163	69083147669

† Spindle size is 1/8" or 1/4" x 1-1/2"