

# NORTON DIAMOND / CBN STOCK WHEELS

## NORTON AZTEC CBN WHEELS

**BEST CHOICE FOR DRY TOOL RESHARPENING**

### FEATURES

- Consistent, high quality cBN (cubic Boron Nitride) abrasive
- Advanced heat-reducing bond conducts heat away from the workpiece

### BENEFITS

- 85% longer life than standard cBN wheels
- Eliminates heat build-up and damage
- Extends wheel life
- Freer cutting action
- Maintains cutting tool steel integrity
- Extends cutting tool life

### AZTEC III

- Lubricating bond
  - Eliminates steel and braze loading
  - Reduces drag
  - Allows greater infeeds

### AZTEC .007

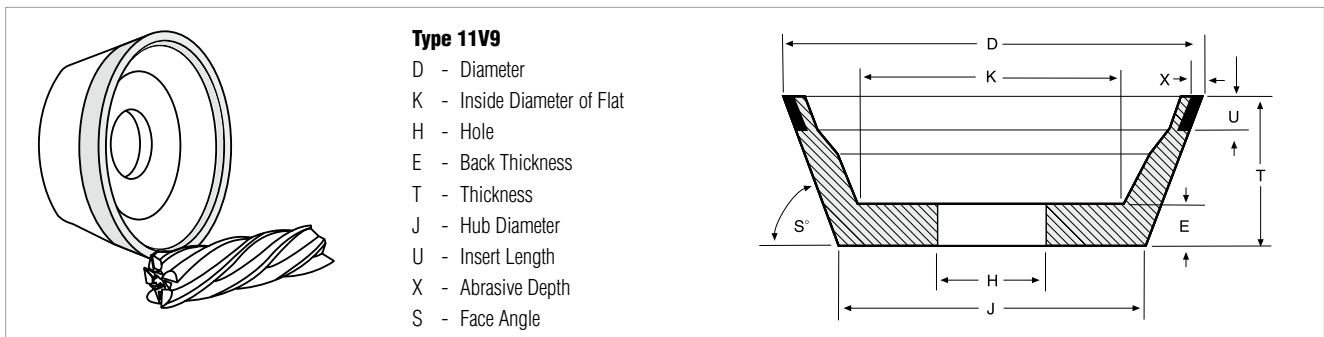
- Allows increased infeed (start at .007)
  - High stock removal rate
  - Heaviest cuts with less wheel wear
  - Lower grinding forces
  - Elimination of chatter

SIZE (D x T x H)	SPECIFICATION	PART #
<b>Type 11V9 Flaring Cup – cBN</b>		
3-3/4 x 1-1/2 x 1-1/4 Insert Length 3/8" (ME92192)	AZTEC .007-100-1/16	69014195683
	AZTEC .007-150-1/16	69014195679
	AZTEC III 100T-1/16	69014191832
	AZTEC III 120T-1/16	69014191833
	AZTEC III 150T-1/16	69014191834
	AZTEC .007-150-1/8	69014195680
	AZTEC III 100T-1/8	69014191838
	AZTEC III 120T-1/8	69014191839
	AZTEC III 150T-1/8	69014191840
	5 x 1-3/4 x 1-1/4 Insert Length 7/16" (ME98298)	AZTEC .007-100-1/16
AZTEC III 100T-1/16		69014191841
AZTEC III 120T-1/16		69014191842
AZTEC III 150T-1/16		69014191843
AZTEC .007-100-1/8		69014195686
AZTEC .007-150-1/8		69014195682
AZTEC III 100T-1/8	69014191844	

SIZE (D x T x H)	SPECIFICATION	PART #
<b>Type 11V9 Flaring Cup – cBN</b>		
3-3/4 x 1-1/2 x 1-1/4 Insert Length 3/8" (ME92192)	CB100-TB99-1/16	69014191719
	CB100-TB99-1/8	69014191722
	CB120-TB99-1/8	69014191723
	CB150-TB99-1/8	69014191724
	CB120-WB99-1/16	69014191720
	5 x 1-3/4 x 1-1/4 Insert Length 7/16" (ME98298)	CB120-TB99-1/8
CB150-TB99-1/8		69014191716

Standard Package – 1 Wheel

Standard Package = 1 Wheel



Refer to "Brake Controlled Truing Devices" and "Dressing Sticks" sections for truing and dressing products.