

RIGID • IMC

Compression Rigid Couplings for Threadless Rigid Conduit • IMC • Malleable Iron



Features

- Concrete tight

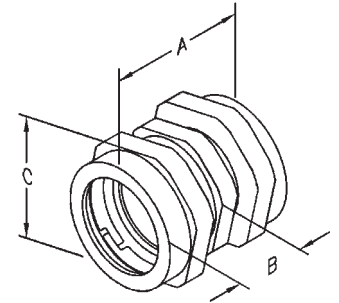
Standard Finish

Malleable iron

Zinc plated

Applicable Third Party Standards

- UL Standard: 514B
- Fed. Spec. W-F-408E
- NEMA: FB-1
- UL Listed File # E207875



CATALOG NUMBER	TRADE SIZE	DIM A	DIM B	DIM C	INNER PACK	MASTER PACK	WEIGHT PER C
RCK50KON	1/2"	1.813	0.500	1.500	25	125	30.0
RCK75KON	3/4"	1.875	0.500	1.625	20	100	32.0
RCK100KON	1"	2.188	0.563	2.000	10	50	43.7
RCK125KON	1-1/4"	2.625	0.750	2.375	5	25	77.6
RCK150KON	1-1/2"	2.688	0.688	2.625	5	25	93.3
RCK200KON	2"	3.063	0.938	3.313	2	10	159.2
RCK250KON	2-1/2"	4.500	2.000	3.750	2	10	276.5
RCK300KON	3"	4.938	2.250	4.250	1	5	393.3
RCK350KON	3-1/2"	5.000	2.250	4.750	1	5	546.7
RCK400KON	4"	5.313	2.438	5.313	1	5	626.1