

LIQUIDTIGHT

Tubular Steel Liquidtight Fittings - Non-Insulated & Insulated



Features

- Tapered threaded male hub - NPT
- Compact, slim diameter
- Liquidtight/Raintight/Oiltight
- Suitable for wet locations
- Long ferrule prevents pullout & tight bend conduit pop out
- RoHS Compliant
- Low cost

Standard Materials

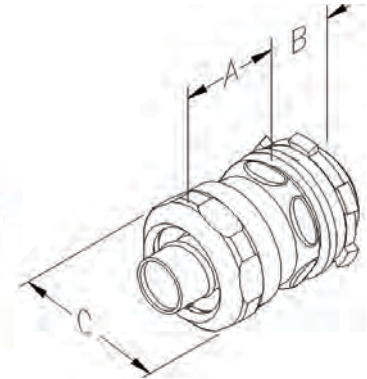
- Steel
- Steel ferrule
- Steel locknut

Standard Finish

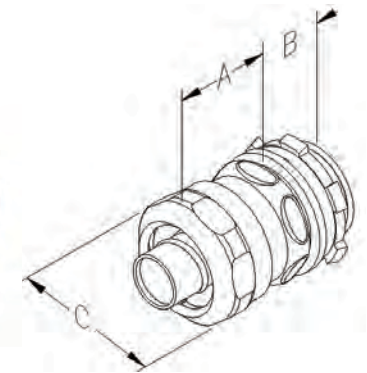
- Zinc plated

Applicable Third Party Standards

- UL Standard: 514B
- Fed. Spec. W-F-408E
- NEMA: FB-1
- UL Listed File # E207875



Non-Insulated



Insulated

CATALOG NUMBER	TRADE SIZE	KO SIZE	DIM A	DIM B	DIM C	INNER PACK	MASTER PACK	WEIGHT PER C
Uninsulated Tubular Steel								
LT38STLKON	3/8"	1/2"	1.000	0.500	1.063	25	100	11.4
LT50STLKON	1/2"	1/2"	1.125	0.500	1.250	25	100	16.3
LT75STLKON	3/4"	3/4"	1.125	0.500	1.563	25	100	22.1
LT100STLKON	1"	1"	1.313	0.625	1.813	5	25	35.4
LT125STLKON	1 1/4"	1-1/4"	1.375	0.688	2.063	5	25	41.2
LT150STLKON	1 1/2"	1-1/2"	1.438	0.750	2.063	5	25	50.4
LT200STLKON	2"	2"	1.500	0.813	2.750	5	25	64.5
Insulated Tubular Steel								
LT38STL-ICKON	3/8"	1/2"	1.000	0.563	1.063	25	100	11.7
LT50STL-ICKON	1/2"	1/2"	1.125	0.563	1.250	25	100	16.6
LT75STL-ICKON	3/4"	3/4"	1.125	0.563	1.563	25	100	22.6
LT100STL-ICKON	1"	1"	1.313	0.688	1.813	5	25	36.2
LT125STL-ICKON	1 1/4"	1-1/4"	1.375	0.688	2.063	5	25	42.4
LT150STL-ICKON	1 1/2"	1-1/2"	1.438	0.750	2.063	5	25	51.8
LT200STL-ICKON	2"	2"	1.500	0.813	2.750	5	25	66.0