

## LIQUIDTIGHT

Combination Couplings for use with Liquidtight Flexible Metallic Conduit to Threaded Rigid/IMC • Malleable Iron



### Applications

To connect Liquidtight hose to Rigid conduit

### Features

- Female hub - NPSM
- Liquidtight/Raintight/Oiltight
- Suitable for wet locations
- Suitable for grounding
- Long ferrule prevents pullout & tight bend conduit pop out
- RoHS compliant

### Standard Materials

Lug - Aluminum

Malleable iron

Steel ferrule

### Standard Finish

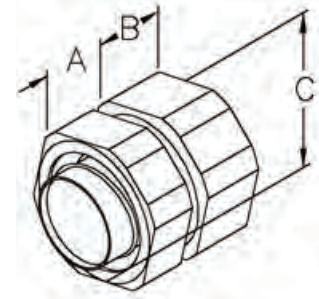
Zinc plated

### Applicable Third Party Standards

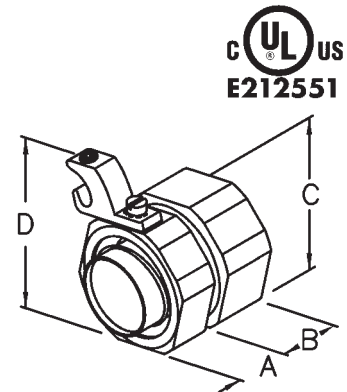
- UL Standard: 514B
- UL Standard: 467
- Fed. Spec. W-F-408E
- NEMA: FB-1



RLTKON No Lug



RLTKON with Lug



CATALOG NUMBER	TRADE SIZE	DIM A	DIM B	DIM C	MASTER PACK	WEIGHT PER C
LT to Rigid						
RLT38KON	3/8"	0.875	0.75	1.19	25	17.6
RLT50KON	1/2"	0.875	0.75	1.31	25	24.3
RLT75KON	3/4"	0.875	0.75	1.63	25	30.9
RLT100KON	1"	1	0.813	1.88	5	48.5
RLT125KON	1 1/4"	1.13	0.875	2.25	5	63.9
RLT150KON	1 1/2"	1.13	0.875	2.5	2	72.8
RLT200KON	2"	1.25	0.938	3	1	101.4

CATALOG NUMBER	TRADE SIZE	DIM A	DIM B	DIM C	DIM D	MASTER PACK	WEIGHT PER C
LT to Rigid with Aluminum Lug							
RLT38ALKON	3/8"	0.875	0.750	1.188	1.938	25	19.7
RLT50ALKON	1/2"	0.875	0.750	1.313	1.063	25	26.4
RLT75ALKON	3/4"	0.875	0.750	1.375	2.375	25	33.0
RLT100ALKON	1"	1.000	0.813	1.875	2.625	5	50.6
RLT125ALKON	1-1/4"	1.125	0.875	2.125	3.000	5	66.0
RLT150ALKON	1-1/2"	1.125	0.875	2.500	3.250	2	74.9
RLT200ALKON	2"	1.250	0.938	3.000	3.750	1	103.5