

FLEX • AC • MC

Double Bite Saddle Type Connectors with Insulated Throats Tubular Steel for Flex • AC • MCI • MCI-A Cables



Applications

To connect Flex, AC, MCI, MCI-A & HCF cables to outlet

Features

- One piece tubular construction affording extra strength
- Dual gripping saddle clamps
- Saddle clamp rides up & down on screw for ease of installation
- Tri-head screws
- Furnished with insulated throat
- RoHS compliant

Standard Materials

Tubular steel
Steel locknut

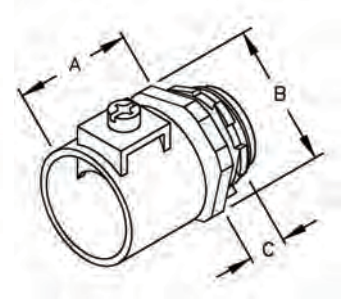
Standard Finish

Zinc plated

Applicable Third Party Standards

- UL Standard: 514B
- Fed. Spec. W-F-406E
- NEMA: FB-1
- UL Listed File # E238299 for 3/8" through 1"
- UL Listed File # E207875 for 1-1/4" through 4"

U.S. Patent No. 8.646.813



CATALOG NUMBER	TRADE SIZE	KO SIZE	CABLE RANGE MAX/MIN	DIM A	DIM B	DIM C	MASTER PACK	WEIGHT PER C
Squeeze Connectors Malleable Iron for Flex								
DB38 -ICKON^	3/8"	1/2"	0.660" 0.400"	1.188	1.250	0.500	50	14.8
DB50 -ICKON^	1/2"	1/2"	0.920" 0.520"	1.375	1.250	0.438	25	15.6
DB75 -ICKON^	3/4"	3/4"	1.110" 0.680"	1.375	1.438	0.438	10	17.2
DB100 -ICKON^	1"	1"	1.380" 0.880"	1.563	1.813	0.500	5	31.3
DB125 -ICKON	1-1/4"	1-1/4"	1.635" 1.150"	2.188	2.125	0.625	5	53.1
DB150 -ICKON	1-1/2"	1-1/2"	1.950" 1.490"	2.438	2.500	0.625	5	62.5
DB200 -ICKON	2"	2"	2.450" 1.765"	2.563	3.000	0.625	1	87.0
DB250 -ICKON	2-1/2"	2-1/2"	3.060" 2.270"	2.688	3.625	0.813	1	162.5
DB300 -ICKON	3"	3"	3.560" 3.160"	2.813	4.250	0.938	1	191.5
DB350 -ICKON	3-1/2"	3-1/2"	4.060" 3.860"	2.938	4.750	1.000	1	225.0
DB400 -ICKON	4"	4"	4.560" 4.360"	3.000	5.188	1.063	1	263.3

^Suitable for use on steel or aluminum cables

FLEX • AC • MC

45° Double Bite Saddle Type Connectors with Insulated Throats for Flex • AC • MCI • MCI-A Cables • Malleable Iron



Applications

To connect Flex, AC, MCI, MCI-A & HCF Cables to outlet boxes

Features

- Male hub threads - NPSM
- One piece malleable construction affording extra strength
- Dual gripping saddle clamps
- Saddle clamp rides up & down on screw for ease of installation
- Furnished with Insulated Throat
- RoHS compliant

Standard Materials

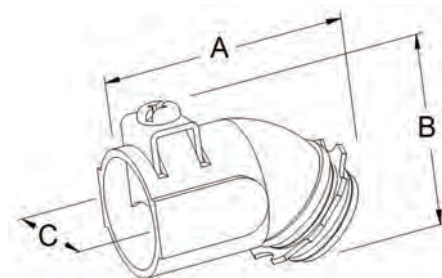
Malleable iron
Steel locknut
Steel clamps

Standard Finish

Zinc plated

Applicable Third Party Standards

- UL Standard: 514B
- Fed. Spec. W-F-406E
- NEMA: FB-1
- UL Listed File # E238299



CATALOG NUMBER	TRADE SIZE	KO SIZE	DIM A	DIM B	DIM C	MASTER PACK	WEIGHT PER C
45° Double Bite Saddle Type Connectors with Insulated Throats							
DB3845 -ICKON	3/8"	1/2"	1.813	1.750	0.938	50	15.6
DB5045 -ICKON	1/2"	1/2"	2.125	1.125	1.250	25	25.7
DB7545 -ICKON	3/4"	3/4"	2.375	2.313	1.438	20	28.8

CABLE TYPE	THREAD SIZE 3/8"	THREAD SIZE 1/2"	THREAD SIZE 3/4"
AC STEEL	14/2, 14/3, 14/4 12/2, 12/3, 12/4, 10/2	12/4, 10/2, 10/3, 10/4, 8/2, 8/3, 8/4, 6/2, 6/3	6/4, 4/2, 4/3
AC ALUMINUM	14/2, 14/3, 14/4 12/2, 12/3, 12/4, 10/2	12/4, 10/2, 10/3, 10/4, 8/2, 8/3, 8/4, 6/2, 6/3	8/3, 8/4, 6/2, 6/3, 6/4, 4/2, 4/3
MC STEEL	14/2, 14/3, 14/4 12/2, 12/3, 12/4, 10/2, 10/3, 8/2	10/4, 8/2, 8/3, 6/3	8/3, 8/4, 6/2, 6/3, 6/4, 4/3, 3/3
MC ALUMINUM	14/2, 14/3, 14/4 12/2, 12/3, 12/4, 10/2, 10/3, 10/4, 8/2	10/4, 8/2, 8/3, 6/3	6/4, 4/3, 3/3
MCI-A	12/2, 12/3, 12/4, 12/6, 12/8, 10/3, 10/4	10/3, 10/4	
Flexible Metal Conduit - Steel			

FLEX • AC • MC

90° Double Bite Saddle Type Connectors with Insulated Throats for Flex • AC • MCI • MCI-A Cables • Malleable Iron



Applications

To connect Flex, AC, MCI, MCI-A & HCF Cables to outlet boxes

Features

- Male hub threads - NPSM
- One piece malleable construction affording extra strength
- Dual gripping saddle clamps
- Saddle clamp rides up & down on screw for ease of installation
- Furnished with Insulated Throat
- RoHS compliant

Standard Materials

Malleable iron
Steel locknuts
Steel clamps

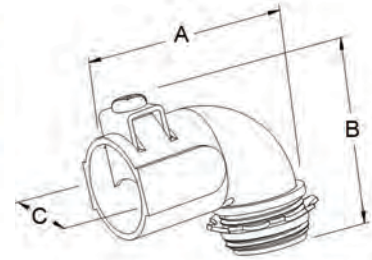
Standard Finish

Zinc plated

Applicable Third Party Standards

- UL Standard: 514B
- Fed. Spec. W-F-406E
- NEMA: FB-1
- UL Listed File # E238299

U.S. Patent No. 8.646.813



CATALOG NUMBER	TRADE SIZE	KO SIZE	CABLE RANGE MAX/MIN	DIM A	DIM B	DIM C	MASTER PACK	WEIGHT PER C
90° Saddle Type Connectors with Insulated Throats								
DB3890-ICKON	3/8"	1/2"	0.660" 0.400"	1.750	2.063	1.000	50	18.2
DB5090-ICKON	1/2"	1/2"	0.920" 0.520"	2.125	2.250	1.250	25	25.0
DB7590-ICKON	3/4"	3/4"	1.110" 0.680"	2.500	2.500	1.375	20	37.5

CABLE TYPE	THREAD SIZE 3/8"	THREAD SIZE 1/2"
AC STEEL KON	14/2, 14/3, 14/4 12/2, 12/3, 12/4, 10/2	12/4, 10/2, 10/3, 10/4, 8/2, 8/3, 8/4, 6/2, 6/3
AC ALUMINUM KON	14/2, 14/3, 14/4 12/2, 12/3, 12/4, 10/2	12/4, 10/2, 10/3, 10/4, 8/2, 8/3, 8/4, 6/2, 6/3
MC STEEL KON	14/2, 14/3, 14/4 12/2, 12/3, 12/4, 10/2, 10/3, 8/2	10/4, 8/2, 8/3, 6/3
MC ALUMINUM KON	14/2, 14/3, 14/4 12/2, 12/3, 12/4, 10/2, 10/3, 10/4, 8/2	12/6, 12/8, 10/3, 10/4
MCI-A KON	12/2, 12/3, 12/4, 12/6, 12/8, 10/3, 10/4	10/3, 10/4
Flexible Metal Conduit - Steel		

CABLE TYPE	THREAD SIZE 3/4"	THREAD SIZE 1"
AC STEEL KON	6/4, 4/2, 4/3	6/4, 4/3, 4/4, 3/3, 3/2, 2/3, 2/4, 1/3, 1/4
AC ALUMINUM KON	8/3, 8/4, 6/2, 6/3, 6/4, 4/2, 4/3	6/4, 4/3, 4/4, 3/3, 3/2, 2/3, 2/4, 1/3, 1/4
MC STEEL KON	8/3, 8/4, 6/2, 6/3, 6/4, 4/3, 3/3	4/3, 4/4, 3/3, 3/4, 2/3, 2/4, 1/3, 1/4, 1/0-3, 2/0-3
MC ALUMINUM KON	6/4, 4/3, 3/3	4/3, 4/4, 3/3, 3/4, 2/3, 2/4, 1/3
MCI-A KON		
Flexible Metal Conduit - Steel		