

CONDUIT BODIES • COVERS • GASKETS

Threaded LB Conduit Body Form 7 Gray Iron

COMING SEPTEMBER 2016



Applications

To provide access to conductors for pulling, splicing and maintenance

Features

- Tapered threaded hubs - NPT
- Suitable for use in concrete

Standard Materials

Cover and clips - Gray iron steel
Screws - Stainless steel
Gasket - Neoprene

Standard Finish

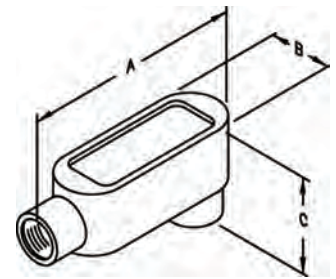
Zinc plated aluminum enamel paint

Applicable Third Party Standards

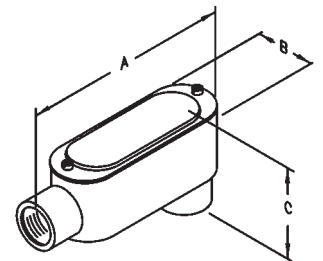
- UL Standard: 514A
- Fed. Spec. W-C-586D
- NEMA: FB-1
- CSA 243470
- UL Listed File # E208392



LBKON



LB-CGKON



Threaded LB Conduit Bodies

CATALOG NUMBER	TRADE SIZE	DIM A	DIM B	DIM C	MASTER PACK	WEIGHT PER C
LB17KON	1/2"	4.500	1.313	2.188	5	89.800
LB27KON	3/4"	5.500	1.500	2.500	5	122.700
LB37KON	1"	6.438	1.750	2.813	5	165.900
LB47KON	1-1/4"	6.563	2.188	3.375	2	236.000
LB57KON	1-1/2"	7.125	2.438	3.625	2	304.000
LB67KON	2"	8.125	3.000	4.375	2	465.900
LB77KON	2-1/2"	10.500	4.250	5.313	1	661.400
LB87KON	3"	10.625	4.250	6.063	1	1011.890
LB97KON	3-1/2"	12.625	5.188	6.563	1	1344.800
LB107KON	4"	12.625	5.188	7.000	1	1428.600

Threaded LB Conduit Bodies with Cover and Gasket

CATALOG NUMBER	TRADE SIZE	DIM A	DIM B	DIM C	MASTER PACK	WEIGHT PER C
LB17-CGKON	1/2"	4.500	1.313	2.563	5	102.8
LB27-CGKON	3/4"	5.500	1.500	2.875	5	135.2
LB37-CGKON	1"	6.438	1.750	3.188	5	191.0
LB47-CGKON	1-1/4"	6.563	2.188	3.750	2	270.9
LB57-CGKON	1-1/2"	7.125	2.438	4.000	2	331.8
LB67-CGKON	2"	8.125	3.000	4.750	2	502.7

Aluminum available upon request

CONDUIT BODIES • COVERS • GASKETS

Threaded C Conduit Body Form 7 Gray Iron

COMING SEPTEMBER 2016



Applications

To provide access to conductors for pulling, splicing and maintenance

Features

- Tapered threaded hubs - NPT
- Suitable for use in concrete

Standard Materials

Cover and clips - Gray iron steel
Screws - Stainless steel
Gasket - Neoprene

Standard Finish

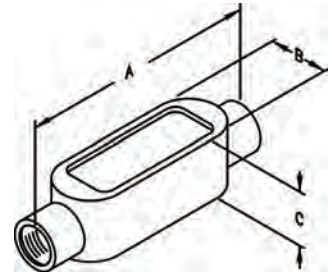
Zinc plated with aluminum enamel paint

Applicable Third Party Standards

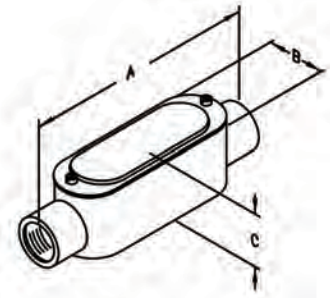
- UL Standard: 514A
- Fed. Spec. W-C-586D
- NEMA: FB-1
- CSA 243470
- UL Listed File # E208392



CKON



C-CGKON



Threaded C Conduit Bodies

CATALOG NUMBER	TRADE SIZE	DIM A	DIM B	DIM C	MASTER PACK	WEIGHT PER C
C17KON	1/2"	5.313	1.313	1.375	5	83.8
C27KON	3/4"	6.000	1.563	1.688	5	116.9
C37KON	1"	7.000	1.750	1.875	5	156.5
C47KON	1-1/4"	7.625	2.188	2.375	2	227.1
C57KON	1-1/2"	8.188	2.438	2.625	2	280.0
C67KON	2"	9.250	3.000	3.250	2	46.5
C77KON	2-1/2"	12.188	4.188	3.625	1	747.4
C87KON	3"	12.188	4.177	4.438	1	985.5

Threaded C Conduit Bodies with Cover and Gasket

CATALOG NUMBER	TRADE SIZE	DIM A	DIM B	DIM C	MASTER PACK	WEIGHT PER C
C17-CGKON	1/2"	5.313	1.313	1.750	5	98.5
C27-CGKON	3/4"	6.000	1.563	2.063	5	135.3
C37-CGKON	1"	7.000	1.750	2.250	5	182.2
C47-CGKON	1-1/4"	7.625	2.188	2.750	2	259.9
C57-CGKON	1-1/2"	8.188	2.438	3.000	2	318.6
C67-CGKON	2"	9.250	3.000	3.625	2	489.5
C77-CGKON	2-1/2"	12.188	4.188	4.255	1	868.4
C87-CGKON	3"	12.188	4.187	50.68	1	1106.5

Aluminum available upon request

CONDUIT BODIES • COVERS • GASKETS

Threaded LL Conduit Body Form 7 Gray Iron

COMING SEPTEMBER 2016



Applications

To provide access to conductors for pulling, splicing and maintenance

Features

- Tapered threaded hubs - NPT
- Suitable for use in concrete

Standard Materials

Gray iron

Standard Finish

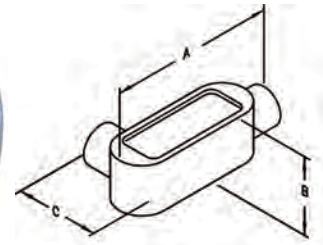
Zinc plated with aluminum enamel paint

Applicable Third Party Standards

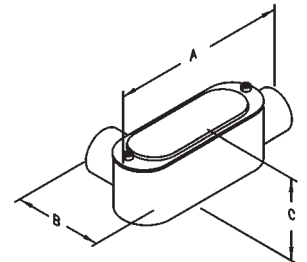
- UL Standard: 514A
- Fed. Spec. W-C-586D
- NEMA: FB-1
- CSA 243470
- UL Listed File # E208392



LLKON



LL-CGKON



Threaded LL Conduit Bodies

CATALOG NUMBER	TRADE SIZE	DIM A	DIM B	DIM C	MASTER PACK	WEIGHT PER C
LL17KON	1/2"	4.563	2.125	1.438	5	90.3
LL27KON	3/4"	5.125	2.375	1.688	5	122.0
LL37KON	1"	6.063	2.688	1.875	5	159.2
LL47KON	1-1/4"	6.563	3.188	2.375	2	247.2
LL57KON	1-1/2"	7.125	3.500	2.625	2	319.2
LL67KON	2"	8.125	4.125	3.250	2	472.6

Threaded LL Conduit Bodies with Cover and Gasket

CATALOG NUMBER	TRADE SIZE	DIM A	DIM B	DIM C	MASTER PACK	WEIGHT PER C
LL17-CGKON	1/2"	4.563	2.125	1.688	5	105.0
LL27-CGKON	3/4"	5.125	2.375	1.938	5	140.6
LL37-CGKON	1"	6.063	2.688	2.125	5	207.4
LL47-CGKON	1-1/4"	6.563	3.188	2.688	2	277
LL57-CGKON	1-1/2"	7.125	3.500	3.066	2	357.8
LL67-CGKON	2"	8.125	4.125	3.625	2	525.6

Aluminum and Hot Dipped Galvanized available upon request

CONDUIT BODIES • COVERS • GASKETS

Threaded LR Conduit Body Form 7 Gray Iron

COMING SEPTEMBER 2016



Applications

To provide access to conductors for pulling, splicing and maintenance

Features

- Tapered threaded hubs - NPT
- Suitable for use in concrete

Standard Materials

Cover and clips - Gray iron steel
Screws - Stainless steel
Gasket - Neoprene

Standard Finish

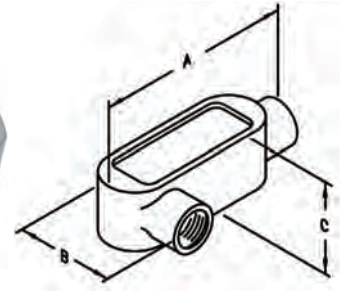
Zinc plated with aluminum enamel paint

Applicable Third Party Standards

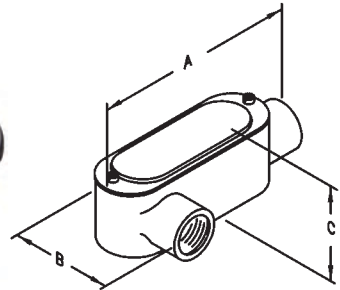
- UL Standard: 514A
- Fed. Spec. W-C-586D
- NEMA: FB-1
- CSA 243470
- UL Listed File # E208392



LRKON



LR-CGKON



Threaded LR Conduit Bodies

CATALOG NUMBER	TRADE SIZE	DIM A	DIM B	DIM C	MASTER PACK	WEIGHT PER C
LR17KON	1/2"	4.563	2.125	1.438	5	89.6
LR27KON	3/4"	5.125	2.375	1.688	5	124.1
LR37KON	1"	6.063	2.688	1.875	5	149.5
LR47KON	1-1/4"	6.500	3.125	2.250	2	246.0
LR57KON	1-1/2"	7.188	3.500	2.500	2	324.0
LR67KON	2"	8.188	4.063	3.250	2	462.2

Threaded LR Conduit Bodies with Cover and Gasket

CATALOG NUMBER	TRADE SIZE	DIM A	DIM B	DIM C	MASTER PACK	WEIGHT PER C
LR17-CGKON	1/2"	4.563	2.125	1.688	5	104.3
LT27-CGKON	3/4"	5.125	2.375	1.938	5	142.5
LR37-CGKON	1"	6.063	2.688	2.063	5	175.2
LR47-CGKON	1-1/4"	6.500	3.125	2.563	2	278.8
LR57-CGKON	1-1/2"	7.188	3.500	2.813	2	362.6
LR67-CGKON	2"	8.188	4.063	3.563	2	515.2

Aluminum available upon request

CONDUIT BODIES • COVERS • GASKETS

Threaded T Conduit Body Form 7 Gray Iron

COMING SEPTEMBER 2016



Applications

To provide access to conductors for pulling, splicing and maintenance

Features

- Tapered threaded hubs - NPT
- Suitable for use in concrete

Standard Materials

Cover and clips - Gray iron steel
Screws - Stainless steel
Gasket - Neoprene

Standard Finish

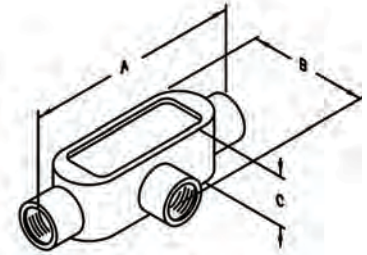
Zinc plated with aluminum enamel paint

Applicable Third Party Standards

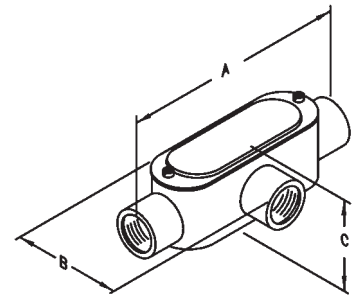
- UL Standard: 514A
- Fed. Spec. W-C-586D
- NEMA: FB-1
- CSA 243470
- UL Listed File # E208392



TKON



T-CGKON



Threaded T Conduit Bodies

CATALOG NUMBER	TRADE SIZE	DIM A	DIM B	DIM C	MASTER PACK	WEIGHT PER C
T17KON	1/2"	5.500	2.250	1.875	5	116.9
T27KON	3/4"	6.125	2.438	2.125	5	154.3
T37KON	1"	7.063	2.750	2.313	2	191.8
T47KON	1-1/4"	7.625	3.188	2.375	2	262.4
T57KON	1-1/2"	8.188	3.500	3.500	2	328.5
T67KON	2"	9.250	4.125	4.125	2	496.0
T77KON	2-1/2"	12.000	5.750	5.750	1	833.3
T87KON	3"	12.188	5.875	5.875	1	1131.0
T97KON	3-1/2"	14.250	6.813	6.813	1	1576.3
T107KON	4"	14.250	6.813	6.813	1	1671.1

Threaded T Conduit Bodies with Cover and Gasket

CATALOG NUMBER	TRADE SIZE	DIM A	DIM B	DIM C	MASTER PACK	WEIGHT PER C
T17-CGKON	1/2"	5.500	2.250	1.875	5	131.6
T27-CGKON	3/4"	6.125	2.000	2.125	5	172.7
T37-CGKON	1"	7.063	438.000	2.313	2	217.5
T47-CGKON	1-1/4"	7.625	3.188	2.375	2	295.2
T57-CGKON	1-1/2"	8.188	3.500	2.625	2	367.1
T67-CGKON	2"	9.250	4.125	3.250	2	549.0

Aluminum available upon request

CONDUIT BODIES • COVERS • GASKETS

Threaded TB Conduit Body Form 7 Gray Iron

COMING SEPTEMBER 2016



Applications

To provide access to conductors for pulling, splicing and maintenance

Features

- Tapered threaded hubs - NPT
- Suitable for use in concrete

Standard Materials

Cover and clips - Gray iron steel
Screws - Stainless steel
Gasket - Neoprene

Standard Finish

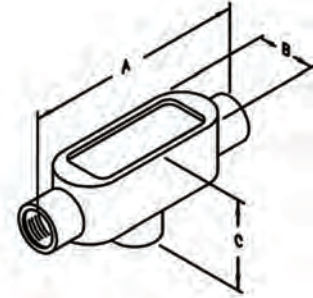
Zinc plated with aluminum enamel paint

Applicable Third Party Standards

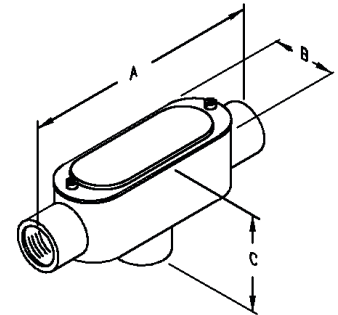
- UL Standard: 514A
- Fed. Spec. W-C-586D
- NEMA: FB-1
- CSA 243470
- UL Listed File # E208392



TBKON



TB-CGKON



Threaded TB Conduit Bodies

CATALOG NUMBER	TRADE SIZE	DIM A	DIM B	DIM C	MASTER PACK	WEIGHT PER C
TB17KON	1/2"	5.500	1.313	2.750	5	130.2
TB27KON	3/4"	6.125	1.563	3.063	5	188.6
TB37KON	1"	7.063	1.750	3.250	2	249.2
TB47KON	1-1/4"	7.625	2.188	2.438	2	305.6
TB57KON	1-1/2"	8.188	2.438	2.625	2	369.6
TB67KON	2"	9.250	3.000	3.250	2	551.4

Threaded TB Conduit Bodies with Cover and Gasket

CATALOG NUMBER	TRADE SIZE	DIM A	DIM B	DIM C	MASTER PACK	WEIGHT PER C
TB17-CGKON	1/2"	5.500	1.313	3.000	5	145.8
TB27-CGKON	3/4"	6.125	1.563	3.313	5	206.2
TB37-CGKON	1"	7.063	1.750	3.500	2	275.8
TB47-CGKON	1-1/4"	7.625	2.188	2.625	2	343.3
TB57-CGKON	1-1/2"	8.188	2.438	1.813	2	402.2
TB67-CGKON	2"	9.250	3.000	3.438	2	607.6

Aluminum and Hot Dipped Galvanized available upon request

CONDUIT BODIES • COVERS • GASKETS

Threaded X Conduit Body Form 7 Gray Iron

COMING SEPTEMBER 2016



Applications

To provide access to conductors for pulling, splicing and maintenance

Features

- Tapered threaded hubs - NPT
- Suitable for use in concrete

Standard Materials

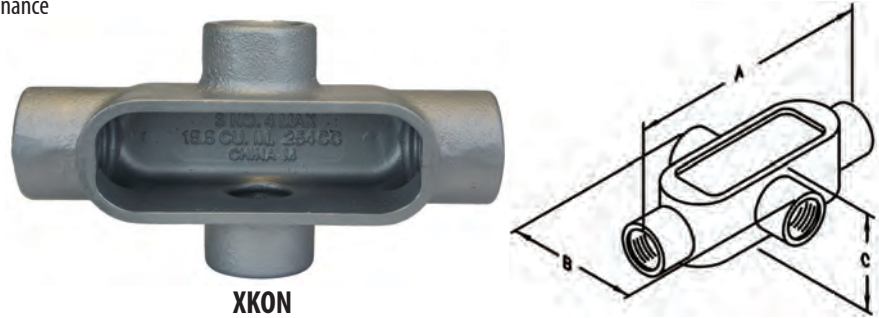
Cover and clips - Gray iron steel
Screws - Stainless steel
Gasket - Neoprene

Standard Finish

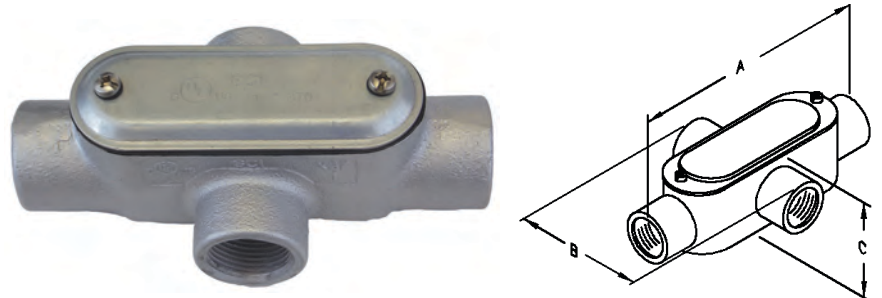
Zinc plated with aluminum enamel paint

Applicable Third Party Standards

- UL Standard: 514A
- Fed. Spec. W-C-586D
- NEMA: FB-1
- CSA 243470
- UL Listed File # E208392



XKON



X-CGKON

Threaded X Conduit Bodies

CATALOG NUMBER	TRADE SIZE	DIM A	DIM B	DIM C	MASTER PACK	WEIGHT PER C
X17KON	1/2"	5.500	3.063	1.875	1	134.1
X27KON	3/4"	6.250	3.250	2.188	1	181.5
X37KON	1"	7.063	3.688	2.313	1	231.5
X47KON	1-1/4"	7.625	4.188	2.375	1	397.0
X57KON	1-1/2"	8.188	4.563	2.625	1	441.1
X67KON	2"	9.250	5.188	3.250	1	661.3

Threaded X Conduit Bodies with Cover and Gasket

CATALOG NUMBER	TRADE SIZE	DIM A	DIM B	DIM C	MASTER PACK	WEIGHT PER C
X17-CGKON	1/2"	5.500	3.063	2.188	5	148.8
X27-CGKON	3/4"	6.125	3.250	2.688	2	199.9
X37-CGKON	1"	7.063	3.688	2.813	1	257.2
X47-CGKON	1-1/4"	7.625	4.188	2.563	1	430.6
X57-CGKON	1-1/2"	8.188	4.563	2.813	1	479.5
X67-CGKON	2"	9.250	5.188	3.438	1	715.1

Aluminum available upon request

CONDUIT BODIES • COVERS • GASKETS

Threaded E Conduit Body Form 7 Gray Iron

COMING SEPTEMBER 2016



Applications

To provide access to conductors for pulling, splicing and maintenance

Features

- Tapered threaded hubs - NPT
- Suitable for use in concrete

Standard Materials

Cover and clips - Gray iron steel
Screws - Stainless steel
Gasket - Neoprene

Standard Finish

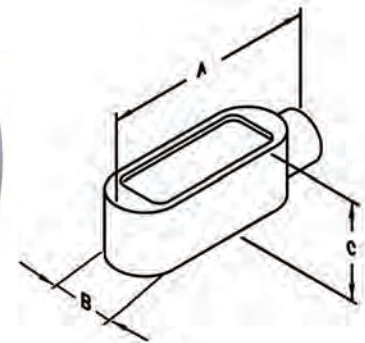
Zinc plated with aluminum enamel paint

Applicable Third Party Standards

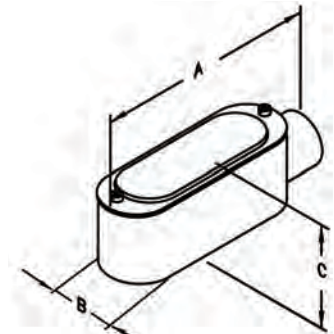
- UL Standard: 514A
- Fed. Spec. W-C-586D
- NEMA: FB-1
- CSA 243470
- UL Listed File # E208392



EKON



E-CGKON



Threaded E Conduit Bodies

CATALOG NUMBER	TRADE SIZE	DIM A	DIM B	DIM C	MASTER PACK	WEIGHT PER C
E17KON	1/2"	4.563	1.313	1.438	5	75.5
E27KON	3/4"	5.188	1.500	1.688	5	106.1
E37KON	1"	6.063	1.750	1.875	5	142.6

Threaded E Conduit Bodies with Cover and Gasket

CATALOG NUMBER	TRADE SIZE	DIM A	DIM B	DIM C	MASTER PACK	WEIGHT PER C
E17-CGKON	1/2"	4-9/16"	1-5/16"	1-15/16"	5	90.2
E27-CGKON	3/4"	5-3/16"	1-1/2"	2-3/16"	5	124.5
E37-CGKON	1"	6-1/16"	1-3/4"	1-3/8"	5	168.0

Aluminum available upon request