

RIGID • IMC

Universal Super Fitting™ 3 Piece Coupling



Applications

- Used to join two lengths of conduit; couples conduit when conduit cannot be turned
- Threaded GRC/IMC to Threaded GRC/IMC
- Threaded GRC/IMC to Unthreaded GRC/IMC
- Threaded GRC/IMC to Thin Wall EMT
- UL Concrete-tight

Features

- Ease of installation/Quick-connect
- Universal connecting - Threaded to Threaded, Threaded to Unthreaded
- No more turning Pipe
- Self Pipe Alignment
- Eliminates field threading
- Fit GRC/IMC/EMT (Fits all UL approved metal Pipe)

Standard Materials

Steel

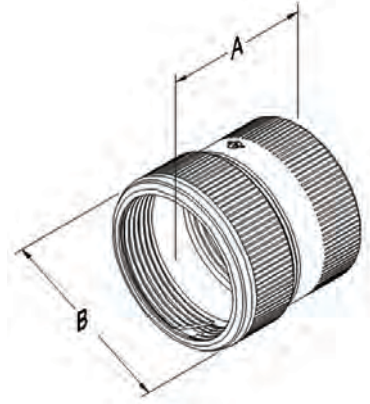
Standard Finish

Zinc Plated

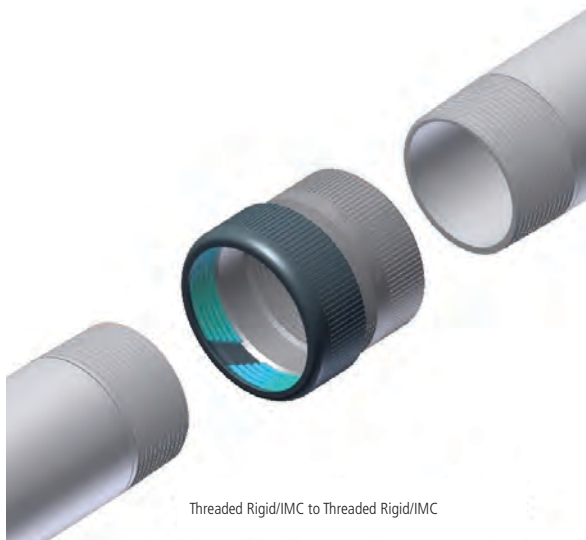
Applicable Third Party Standards

- UL us listed UL 514B; C22.2 No. 18.3-12
- UL Listed File # E207875

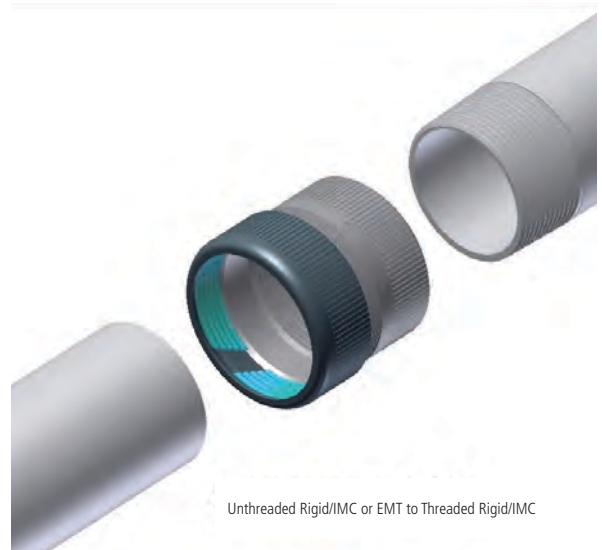
U.S. Patent No. 8.586.881



CATALOG NUMBER	TRADE SIZE	DIM A	DIM B	INNER PACK	WEIGHT PER C
SEC250KON	2-1/2"	3.19	3.45	2	1.7
SEC300KON	3"	3.31	4.08	1	2.1
SEC350KON	3-1/2"	4.15	4.59	1	2.7
SEC400KON	4"	4	5.24	1	3.7



Threaded Rigid/IMC to Threaded Rigid/IMC



Unthreaded Rigid/IMC or EMT to Threaded Rigid/IMC