



CONDUIT BODIES • COVERS • GASKETS

Rigid X Conduit Bodies, Malleable Iron for Rigid • IMC conduit

Applications

To provide access to conductors for pulling, splicing and maintenance

Features

- Tapered threaded hubs - NPT
- Suitable for use in concrete

Standard Materials

Malleable iron

Standard Finish

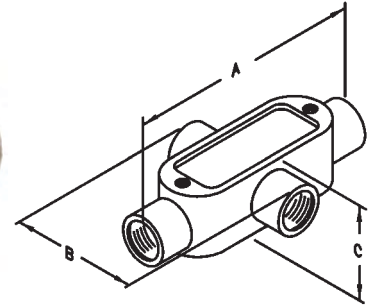
Zinc plated with aluminum enamel paint

Applicable Third Party Standards

- UL Standard: 514A
- Fed. Spec. W-C-586D
- NEMA: FB-1
- UL Listed File # E208392



MXKON



CATALOG NUMBER	TRADE SIZE	DIM A	DIM B	DIM C	MASTER PACK	WEIGHT PER C
MX1KON	1/2"	5.438	2.813	1.750	10	138.8
MX2KON	3/4"	6.063	2.938	2.000	10	172.1
MX3KON	1"	7.125	3.563	2.250	5	246.8
MX4KON	1-1/4"	9.125	4.438	2.563	5	416.4
MX5KON	1-1/2"	9.125	4.438	2.750	5	462.6
MX6KON	2"	11.750	5.375	3.438	5	832.7