

## CONDUIT BODIES • COVERS • GASKETS

Aluminum Die Cast Threaded T Conduit Bodies for Rigid • IMC conduit



### Applications

To provide access to conductors for pulling, splicing and maintenance

### Features

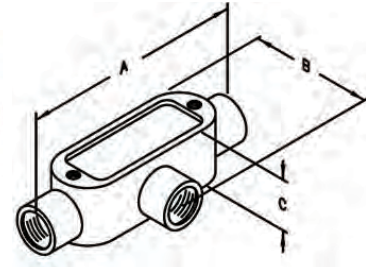
- Tapered threaded hubs - NPT
- Suitable for use in concrete
- Wet Location

### Standard Materials

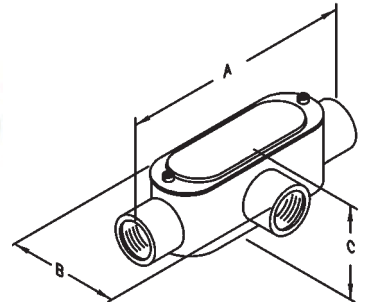
- Die cast aluminum
- Copper free
- Covers - Stamped aluminum
- Gasket - Neoprene rubber

### Applicable Third Party Standards

- UL Standard: 514A
- Fed. Spec. W-C-586D
- NEMA: FB-1
- UL Listed File # E208392



ATKON



AT-CGKON

CATALOG NUMBER	TRADE SIZE	DIM A	DIM B	DIM C	INNER PACK	MASTER PACK	WEIGHT PER C
Aluminum Die Cast Threaded T Conduit Bodies							
AT1KON	1/2"	4.750	2.063	1.375	10	100	23.2
AT2KON	3/4"	5.563	2.250	1.625	10	50	37.5
AT3KON	1"	6.438	2.625	1.875	5	25	53.3
AT4KON	1-1/4"	8.250	3.563	2.500	2	10	99.9
AT5KON	1-1/2"	8.375	3.563	2.500	2	10	97.6
AT6KON	2"	11.688	4.375	3.125	1	5	264.5
AT7KON	2-1/2"	13.250	5.750	4.000	-	1	374.8
AT8KON	3"	13.250	5.750	4.500	-	1	444.2
AT9KON	3-1/2"	16.125	7.688	5.625	-	1	1146.4
AT10KON	4"	16.125	7.688	5.625	-	1	1079.2
Aluminum Die Cast Threaded T Conduit Bodies with Stamped Aluminum Cover & Neoprene Gasket							
AT1CGKON	1/2"	4.750	2.063	1.625	10	100	29.4
AT2CGKON	3/4"	5.563	2.250	1.875	10	50	44.9
AT3CGKON	1"	6.438	2.625	2.125	5	25	63.3
AT4CGKON	1-1/4"	8.250	3.563	2.750	2	10	119.0
AT5CGKON	1-1/2"	8.375	3.563	2.750	2	10	116.7
AT6CGKON	2"	11.688	4.375	3.625	1	5	296.8
AT7CGKON	2-1/2"	13.250	5.750	4.250	-	1	436.5
AT8CGKON	3"	13.250	5.750	4.750	-	1	505.9
AT9CGKON	3-1/2"	16.125	7.688	5.875	-	1	1269.6
AT10CGKON	4"	16.125	7.688	5.875	-	1	1202.4