

CONDUIT BODIES • COVERS • GASKETS

Threaded X Conduit Body Form 7 Gray Iron

COMING SEPTEMBER 2016



Applications

To provide access to conductors for pulling, splicing and maintenance

Features

- Tapered threaded hubs - NPT
- Suitable for use in concrete

Standard Materials

Cover and clips - Gray iron steel
Screws - Stainless steel
Gasket - Neoprene

Standard Finish

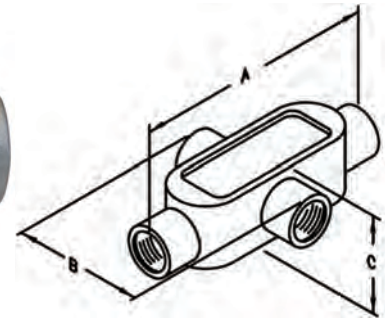
Zinc plated with aluminum enamel paint

Applicable Third Party Standards

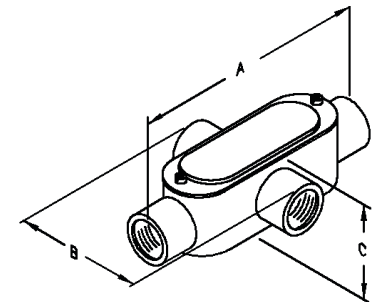
- UL Standard: 514A
- Fed. Spec. W-C-586D
- NEMA: FB-1
- CSA 243470
- UL Listed File # E208392



XKON



X-CGKON



Threaded X Conduit Bodies

CATALOG NUMBER	TRADE SIZE	DIM A	DIM B	DIM C	MASTER PACK	WEIGHT PER C
X17KON	1/2"	5.500	3.063	1.875	1	134.1
X27KON	3/4"	6.250	3.250	2.188	1	181.5
X37KON	1"	7.063	3.688	2.313	1	231.5
X47KON	1-1/4"	7.625	4.188	2.375	1	397.0
X57KON	1-1/2"	8.188	4.563	2.625	1	441.1
X67KON	2"	9.250	5.188	3.250	1	661.3

Threaded X Conduit Bodies with Cover and Gasket

CATALOG NUMBER	TRADE SIZE	DIM A	DIM B	DIM C	MASTER PACK	WEIGHT PER C
X17-CGKON	1/2"	5.500	3.063	2.188	5	148.8
X27-CGKON	3/4"	6.125	3.250	2.688	2	199.9
X37-CGKON	1"	7.063	3.688	2.813	1	257.2
X47-CGKON	1-1/4"	7.625	4.188	2.563	1	430.6
X57-CGKON	1-1/2"	8.188	4.563	2.813	1	479.5
X67-CGKON	2"	9.250	5.188	3.438	1	715.1

Aluminum available upon request