

CONDUIT BODIES • COVERS • GASKETS

Threaded C Conduit Body Form 7 Gray Iron

COMING SEPTEMBER 2016



Applications

To provide access to conductors for pulling, splicing and maintenance

Features

- Tapered threaded hubs - NPT
- Suitable for use in concrete

Standard Materials

Cover and clips - Gray iron steel
Screws - Stainless steel
Gasket - Neoprene

Standard Finish

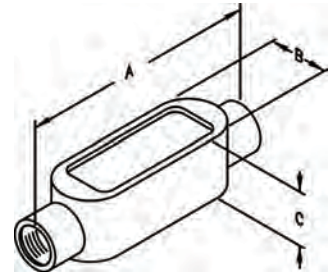
Zinc plated with aluminum enamel paint

Applicable Third Party Standards

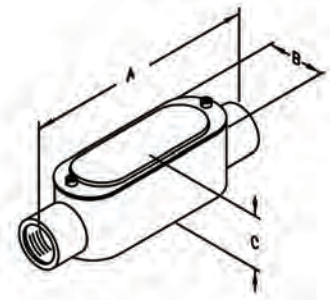
- UL Standard: 514A
- Fed. Spec. W-C-586D
- NEMA: FB-1
- CSA 243470
- UL Listed File # E208392



CKON



C-CGKON



Threaded C Conduit Bodies

CATALOG NUMBER	TRADE SIZE	DIM A	DIM B	DIM C	MASTER PACK	WEIGHT PER C
C17KON	1/2"	5.313	1.313	1.375	5	83.8
C27KON	3/4"	6.000	1.563	1.688	5	116.9
C37KON	1"	7.000	1.750	1.875	5	156.5
C47KON	1-1/4"	7.625	2.188	2.375	2	227.1
C57KON	1-1/2"	8.188	2.438	2.625	2	280.0
C67KON	2"	9.250	3.000	3.250	2	46.5
C77KON	2-1/2"	12.188	4.188	3.625	1	747.4
C87KON	3"	12.188	4.177	4.438	1	985.5

Threaded C Conduit Bodies with Cover and Gasket

CATALOG NUMBER	TRADE SIZE	DIM A	DIM B	DIM C	MASTER PACK	WEIGHT PER C
C17-CGKON	1/2"	5.313	1.313	1.750	5	98.5
C27-CGKON	3/4"	6.000	1.563	2.063	5	135.3
C37-CGKON	1"	7.000	1.750	2.250	5	182.2
C47-CGKON	1-1/4"	7.625	2.188	2.750	2	259.9
C57-CGKON	1-1/2"	8.188	2.438	3.000	2	318.6
C67-CGKON	2"	9.250	3.000	3.625	2	489.5
C77-CGKON	2-1/2"	12.188	4.188	4.255	1	868.4
C87-CGKON	3"	12.188	4.187	50.68	1	1106.5

Aluminum available upon request