

CONDUIT BODIES • COVERS • GASKETS

Threaded E Conduit Body Form 7 Gray Iron

COMING SEPTEMBER 2016



Applications

To provide access to conductors for pulling, splicing and maintenance

Features

- Tapered threaded hubs - NPT
- Suitable for use in concrete

Standard Materials

Cover and clips - Gray iron steel
Screws - Stainless steel
Gasket - Neoprene

Standard Finish

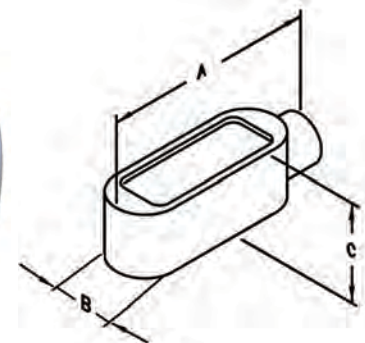
Zinc plated with aluminum enamel paint

Applicable Third Party Standards

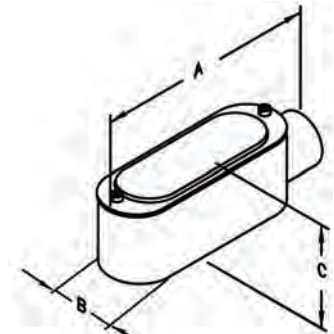
- UL Standard: 514A
- Fed. Spec. W-C-586D
- NEMA: FB-1
- CSA 243470
- UL Listed File # E208392



EKON



E-CGKON



Threaded E Conduit Bodies

CATALOG NUMBER	TRADE SIZE	DIM A	DIM B	DIM C	MASTER PACK	WEIGHT PER C
E17KON	1/2"	4.563	1.313	1.438	5	75.5
E27KON	3/4"	5.188	1.500	1.688	5	106.1
E37KON	1"	6.063	1.750	1.875	5	142.6

Threaded E Conduit Bodies with Cover and Gasket

CATALOG NUMBER	TRADE SIZE	DIM A	DIM B	DIM C	MASTER PACK	WEIGHT PER C
E17-CGKON	1/2"	4-9/16"	1-5/16"	1-15/16"	5	90.2
E27-CGKON	3/4"	5-3/16"	1-1/2"	2-3/16"	5	124.5
E37-CGKON	1"	6-1/16"	1-3/4"	1-3/8"	5	168.0

Aluminum available upon request