

EMT Raintight Compression Couplings



Features

- Steel locknuts
- Heavy steel walls
- Raintight - Wet locations
- Concrete tight
- Blue nut eases identification
- Suitable for use outdoor
- RoHS compliant

Standard Materials

Steel
Nylon compression ring

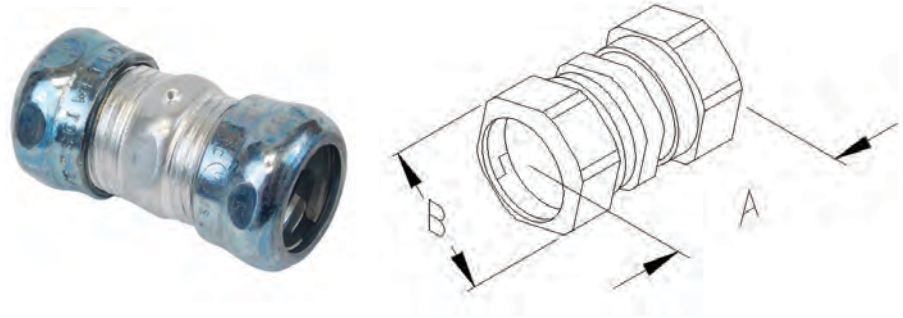
Standard Finish

Zinc plated

Applicable Third Party Standards

- UL Standard: 514B
- Fed. Spec. W-F-408E
- NEMA: FB-1
- UL Listed File # E200730

U.S. Patent No. 8.129.633



Raintight Compression Coupling

CATALOG NUMBER	TRADE SIZE	DIM A	DIM B	INNER PACK	MASTER PACK	WEIGHT PER C
CKR-50KON	1/2"	1.625	1.125	50	500	14.0
CKR-75KON	3/4"	1.750	1.375	25	250	21.3
CKR-100KON	1"	1.875	1.688	20	200	28.0
CKR-125KON	1-1/4"	2.250	2.063	10	100	48.5
CKR-150KON	1-1/2"	2.250	2.250	10	100	59.5
CKR-200KON	2"	2.750	2.750	5	50	78.9
CKR-250KON	2-1/2"	3.875	3.625	–	8	205.5
CKR-300KON	3"	4.000	4.250	–	6	263.0
CKR-350KON	3-1/2"	4.688	4.688	–	4	309.4
CKR-400KON	4"	1.938	5.188	–	4	393.4