

DESCRIPTION

The CC Series offers quality and value with a compact and attractive LED based combination emergency exit. The white housing and lamp-heads are made of high impact UL flame rated thermoplastic. Snap together canopy, housing and removable chevrons for quick and easy installation. Universal single or double-face. Remote capacity unit will run a double-head remote or 2 single-head remotes of either the Compass CIR or COR Series.

APPLICATION

The CC Series can be applied in stair-wells, hallways, offices and other commercial applications.

COMPLIANCES

UL924 Listed for Damp Location
NFPA 101 and NFPA 70
OSHA

WARRANTY

2 year full unit warranty



FEATURES

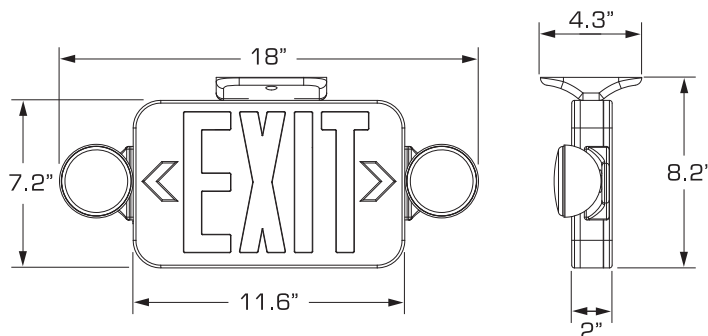
- LED life-cycle of more than 10 years
- Molded-in template for Quick installation
- Dual-voltage 120 or 277V AC input
- Includes long-life Nickel Cadmium battery for UL recognized 90 minute emergency lighting
- Remote capacity or extended runtime option
- Damp Location Listed
- Provided with test switch and AC-On indicator
- Lamp-heads are fully adjustable
- Canopy included

ORDERING GUIDE

Catalog Number	Description
CCR	Combination Exit/Emergency Light, Universal Face, Red Letters, NiCad battery, Damp listed
CCG	Combination Exit/Emergency Light, Universal Face, Green Letters, NiCad battery, Damp Listed
CCRRC	Combination Exit/Emergency Light, Universal Face, Red Letters, NiCad battery, Remote Capacity, Damp Listed
CCGRC	Combination Exit/Emergency Light, Universal Face, Green Letters, NiCad battery, Remote Capacity, Damp Listed

Note: Remote Capacity Unit will only power the Compass Indoor and Outdoor Remote(CIR and COR Series)

DIMENSIONS



Single Carton Weight: 2.5 lbs.
Master Carton Quantity: 6 each

ACCESSORIES

WGEL Wall Mount Wireguard - 8"H X 20"W X 8"D
CIR Series - Matching LED Indoor Remote Heads
COR Series - LED Outdoor Remote Heads

