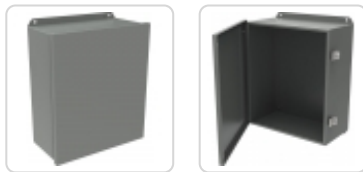


Type 4, 12 Mild Steel Junction Box *HJ H Series*

Continuous Hinge Door with Clamps



Panel
Sold
Separately



Application

- Designed for use as instrument enclosures, electric, hydraulic or pneumatic control housings, electrical junction boxes or terminal wiring enclosures.
- Provides protection where equipment may be hosed down or otherwise be very wet, or in outdoor applications for full weather protection.

Standards

- UL 508 Type 3R, 4, 12 and 13
- CSA Type 3R, 4, 12 and 13
- Complies with
 - NEMA Type 3R, 4, 12 and 13
 - JIC EGP-1-1967 unless marked¹
 - IEC 60529, IP66

Construction

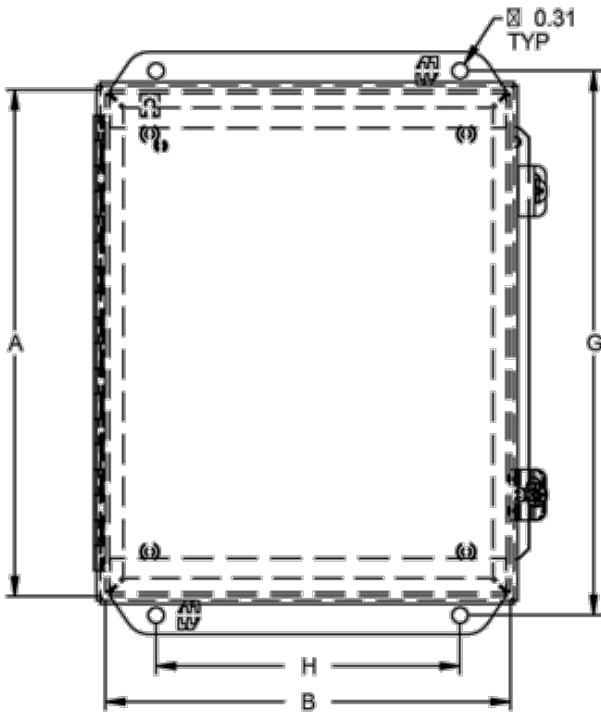
- Body formed from 16 or 14 gauge steel. Covers are formed from 14 gauge steel.
- Smooth, continuously welded seams without knockouts, cutouts or holes.
- Welded brackets provide for enclosure mounting.
- Continuous hinged cover is secured with stainless steel clamps and screws.
- Stainless steel continuous hinge on door may be removed by pulling the stainless steel hinge pin.
- Seamless poured-in place gasket.
- Internal threaded weld studs are provided for mounting inner panels.
- A bonding stud is provided on the door and a grounding stud is provided in the enclosure.

Finish

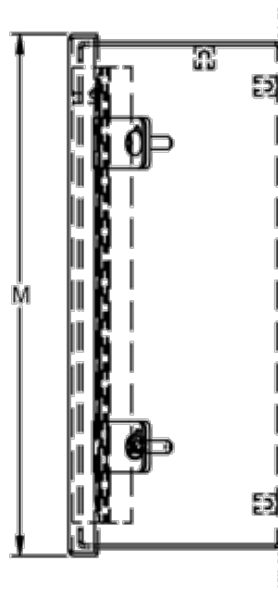
- Cover and enclosure are phosphatized, finished in recoatable smooth ANSI 61 gray powder coating.

Accessories

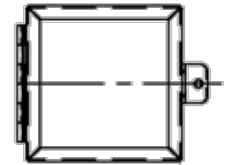
- Inner Panels
- Door Clamping Hardware
- Heaters
- Terminal Kit Assemblies
- Swing Panel Kit
- Ventilation
- Filtered Fans
- Type 1 Louvered Ventilating Plates
- Temperature Controls



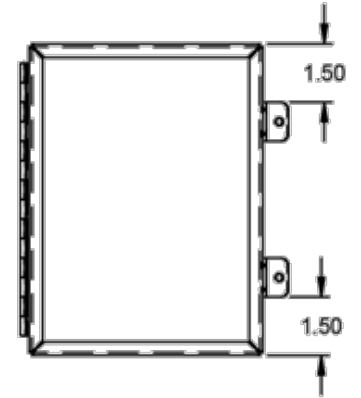
Front View



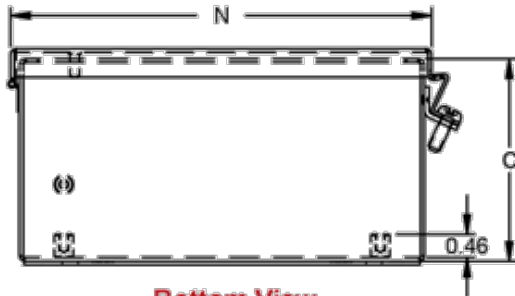
Side View



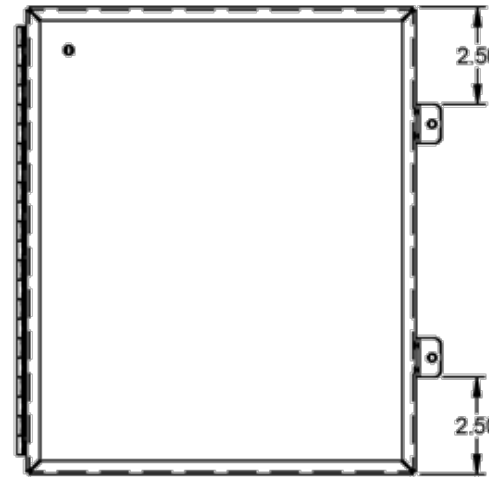
**Clamp location when
A = 6.00" or less**



**Clamp location when
A = 8.0" or 10.0"**



Bottom View



**Clamp location when
A = 12.0" or greater**

| Part No. | Mounting Centers | | | | | Cover Dimensions | | | Gauge | | Opt. Panel | | Ship Wt. (lbs) |
|-----------------------|------------------|-------|------|-------|------|------------------|-------|------|-------|-----------------------|-----------------|------|-------------------|
| | A | B | C | G | H | M | N | Body | Door | Part No. ² | Opt. Panel Size | | |
| HJ443HLP ¹ | 4.00 | 4.00 | 3.00 | 4.75 | 2.00 | 4.31 | 4.31 | 16 | 14 | - | - | - | 2 |
| HJ643HLP ¹ | 6.00 | 4.00 | 3.00 | 6.75 | 2.00 | 6.31 | 4.31 | 16 | 14 | 14R0503 | 4.88 | 2.88 | 2 |
| HJ863HLP | 8.00 | 6.00 | 3.50 | 8.75 | 4.00 | 8.31 | 6.31 | 14 | 14 | 14R0705 | 6.75 | 4.88 | 5 |
| HJ683HLP | 6.00 | 8.00 | 3.50 | 6.75 | 6.00 | 6.31 | 8.31 | 14 | 14 | 14R0705 | 6.75 | 4.88 | 5 |
| HJ444HLP ¹ | 4.00 | 4.00 | 4.00 | 4.75 | 2.00 | 4.31 | 4.31 | 16 | 14 | - | - | - | 3 |
| HJ644HLP ¹ | 6.00 | 4.00 | 4.00 | 6.75 | 2.00 | 6.31 | 4.31 | 16 | 14 | 14R0503 | 4.88 | 2.88 | 3 |
| HJ664HLP | 6.00 | 6.00 | 4.00 | 6.75 | 4.00 | 6.31 | 6.31 | 16 | 14 | 14R0505 | 4.88 | 4.88 | 4 |
| HJ884HLP | 8.00 | 8.00 | 4.00 | 8.75 | 6.00 | 8.31 | 8.31 | 14 | 14 | 14R0707 | 6.75 | 6.88 | 7 |
| HJ1084HLP | 10.00 | 8.00 | 4.00 | 10.75 | 6.00 | 10.31 | 8.31 | 14 | 14 | 14R0907 | 8.75 | 6.88 | 8 |
| HJ8104HLP | 8.00 | 10.00 | 4.00 | 8.75 | 8.00 | 8.31 | 10.31 | 14 | 14 | 14R0907 | 8.75 | 6.88 | 8 |
| HJ1264HLP | 12.00 | 6.00 | 4.00 | 12.75 | 4.00 | 12.31 | 6.31 | 14 | 14 | 14R1105 | 10.75 | 4.88 | 8 |

| Part No. | Mounting Centers | | | Cover Dimensions | | Gauge | | Opt. Panel | | Ship Wt. (lbs) | | | |
|--------------------|------------------|-------|-------|------------------|-------|-------|-------|------------|-----------------------|-------------------|-----------------|-------|----|
| | A | B | C | G | H | M | N | Body Door | Part No. ² | | Opt. Panel Size | | |
| HJ12105HLP | 12.00 | 10.00 | 5.00 | 12.75 | 8.00 | 12.31 | 10.31 | 14 | 14 | 14R1109 | 10.75 | 8.88 | 10 |
| HJ10125HLP | 10.00 | 12.00 | 5.00 | 10.75 | 10.00 | 10.31 | 12.31 | 14 | 14 | 14R1109 | 10.75 | 8.88 | 12 |
| HJ866HLP | 8.00 | 6.00 | 6.00 | 8.75 | 4.00 | 8.31 | 6.31 | 14 | 14 | 14R0705 | 6.75 | 4.88 | 7 |
| HJ1086HLP | 10.00 | 8.00 | 6.00 | 10.75 | 6.00 | 10.31 | 8.31 | 14 | 14 | 14R0907 | 8.75 | 6.88 | 10 |
| HJ10106HLP | 10.00 | 10.00 | 6.00 | 10.75 | 8.00 | 10.31 | 10.31 | 14 | 14 | 14R0909 | 8.75 | 8.88 | 12 |
| HJ12126HLP | 12.00 | 12.00 | 6.00 | 12.75 | 10.00 | 12.31 | 12.31 | 14 | 14 | 14R1111 | 10.75 | 10.88 | 15 |
| HJ1486HLP | 14.00 | 8.00 | 6.00 | 14.75 | 6.00 | 14.31 | 8.31 | 14 | 14 | 14R1307 | 12.75 | 6.88 | 10 |
| HJ14126HLP | 14.00 | 12.00 | 6.00 | 14.75 | 10.00 | 14.31 | 12.31 | 14 | 14 | 14R1311 | 12.75 | 10.88 | 17 |
| HJ12146HLP | 12.00 | 14.00 | 6.00 | 12.75 | 12.00 | 12.31 | 14.31 | 14 | 14 | 14R1311 | 12.75 | 10.88 | 17 |
| HJ16106HLP | 16.00 | 10.00 | 6.00 | 16.75 | 8.00 | 16.31 | 10.31 | 14 | 14 | 14R1509 | 14.75 | 8.88 | 15 |
| HJ16146HLP | 16.00 | 14.00 | 6.00 | 16.75 | 12.00 | 16.31 | 14.31 | 14 | 14 | 14R1513 | 14.75 | 12.88 | 21 |
| HJ14166HLP | 14.00 | 16.00 | 6.00 | 14.75 | 14.00 | 14.31 | 16.31 | 14 | 14 | 14R1513 | 14.75 | 12.88 | 21 |
| HJ12108HLP | 12.00 | 10.00 | 8.00 | 12.75 | 8.00 | 12.31 | 10.31 | 14 | 14 | 14R1109 | 10.75 | 8.88 | 15 |
| HJ14128HLP | 14.00 | 12.00 | 8.00 | 14.75 | 10.00 | 14.31 | 12.31 | 14 | 14 | 14R1311 | 12.75 | 10.88 | 18 |
| HJ16148HLP | 16.00 | 14.00 | 8.00 | 16.75 | 12.00 | 16.31 | 14.31 | 14 | 14 | 14R1513 | 14.75 | 12.88 | 22 |
| HJ161410HLP | 16.00 | 14.00 | 10.00 | 16.75 | 12.00 | 16.31 | 14.31 | 14 | 14 | 14R1513 | 14.75 | 12.88 | 23 |

¹ Does not meet JIC requirements.

² Opt. panel part no. shown is painted white steel. For unpainted galvanized steel substitute "G" for "R" in the panel part no.

Data subject to change without notice

© 2016. Hammond Manufacturing Ltd. All rights reserved.