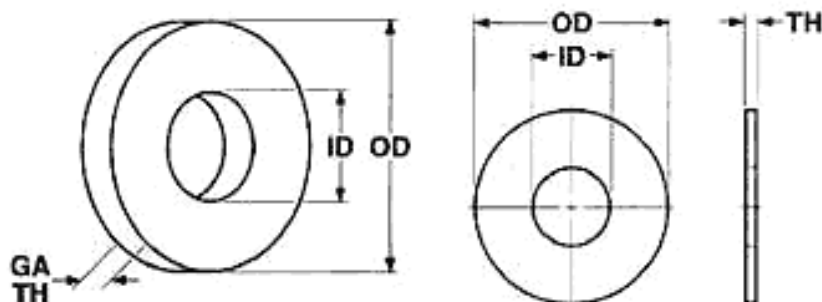


Flat Washers



Machine Screw

NO	ID	OD	TH	WT/M
2	.092	.219	.018	.16
4	.125	.280	.026	.36
5	.140	.280	.026	.33
6	.150	.375	.032	.83
8	.170	.375	.032	.79
10	.203	.438	.032	1.10
12	.227	.500	.048	2.22
14	.265	.562	.048	2.70

Fender Washers

Bolt Size	ID	OD	TH	Approx No. in 20 #
10	7/32	1	.051 .080	1.4M
1/4	9/32	1	.051 .080	1.5M
1/4	9/32	1-1/4	.051 .080	.92M
1/4	9/32	1-1/2	.051 .080	.62M
5/16	11/32	1-1/4	.051 .080	.96M
5/16	11/32	1-1/2	.051 .080	.64M
3/8	13/32	1-1/4	.051 .080	.94M
3/8	13/32	1-1/2	.051 .080	.66M
1/2	17/32	2	.051 .080	.38M

USS Washers

Bolt Size, In.	Outside Dia., In.	Inside Dia., In.	American Standard Gauge	Approx. Lbs. Per M Pcs.	Approx. No./Pcs. Per Lb.	Approx. No./Pcs. Per 20Lbs
3/16	9/16	1/4	18 (3/64)	2.8	361	7,220
1/4	3/4	5/16	16 (1/16)	6.7	149	2,980
5/16	7/8	3/8	14 (5/64)	11.5	87	1,740
3/8	1	7/16	14 (5/64)	14.9	67	1,340
7/16	1-1/4	1/2	14 (5/64)	24.4	41	820
1/2	1-3/8	9/16	12 (7/64)	38.5	26	520
9/16	1-1/2	5/8	12 (7/64)	45.5	22	440
5/8	1-3/4	1-1/16	10 (9/64)	77	13	260
3/4	2	1-3/16	9 (5/32)	110	9.1	182
7/8	2-1/4	1-5/16	8 (11/64)	153	6.5	130
1	2-1/2	1-1/16	8 (11/64)	188	5.3	106
1-1/8	2-3/4	1-1/4	8 (11/64)	220	4.5	90
1-1/4	3	1-3/8	8 (11/64)	280	3.8	76
1-3/8	3-1/4	1-1/2	7 (3/16)	333	3	60
1-1/2	3-1/2	1-5/8	7 (3/16)	385	2.6	52
1-5/8	3-3/4	1-3/4	7 (3/16)	448	2.3	46
1-3/4	4	1-7/8	7 (3/16)	500	2	40
1-7/8	4-1/4	2	7 (3/16)	569	1.8	36
2	4-1/2	2-1/8	7 (3/16)	630	1.6	32
2-1/4	4-3/4	2-3/8	5 (7/32)	826	1.2	24
2-1/2	5	2-5/8	4 (15/64)	961	1	20
2-3/4	5-1/4	2-7/8	3 (1/4)	1100	.9	18
3	5-1/2	3-1/8	2 (5/32)	1300	.8	16

SAE Washers

Bolt Size, In.	Outside Dia., In.	Inside Dia., In.	American Standard Gauge	Approx. Lbs. Per M Pcs.	Approx. No./Pcs. Per Lb.	Approx. No./Pcs. Per 20Lbs.
4	5/16	1/8	21 (1/32)	.58	1650	33,000
6	3/8	5/32	18 (3/64)	1.26	790	15,800
8	7/16	3/16	18 (3/64)	1.7	585	11,700
3/16	1/2	7/32	18 (3/64)	2.3	435	8,700
12	9/16	1/4	16 (1/16)	3.4	280	5,600
1/4	5/8	9/32	16 (1/16)	4.5	222	4,400
5/16	11/16	11/32	16 (1/16)	5.2	192	3,840
3/8	13/16	13/32	16 (1/16)	7.2	140	2,800
7/16	59/64	15/32	16 (1/16)	9.5	105	2,100
1/2	1-1/16	17/32	13 (3/32)	18.3	55	1,100
9/16	1-3/16	19/32	13 (3/32)	23.4	43	860
5/8	1-5/16	21/32	13 (3/32)	27.7	36	720
3/4	1-1/2	13/16	10 (9/64)	47.4	21	420
7/8	1-3/4	15/16	10 (9/64)	63	16	320
1	2	1-1/16	10 (9/64)	83	12	240
1-1/8	2-1/4	1-3/16	10 (9/64)	109	9.2	184
1-1/4	2-1/2	1-5/16	9 (5/32)	160	6.25	125
1-3/8	2-3/4	1-7/16	9 (5/32)	190	5.25	105
1-1/2	3	1-9/16	9 (5/32)	240	4.25	85