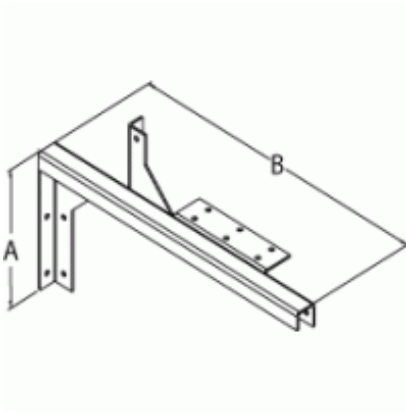


## **Bracket Hanger Wall Type** *CWHW Series*



Part No.	A	B
<b>CWHW2</b>	4.62	12.00
<b>CWHW4</b>	6.12	15.00
<b>CWHW6</b>	8.12	19.00
<b>CWHW8</b>	10.12	23.00
<b>CWHW10</b>	12.12	27.00
<b>CWHW12</b>	14.12	36.00

*Data subject to change without notice*

