

The 900E Series exit features an architectural, slim design to fit into any environment. Attractive and functional, the 900E Series is completely self-contained and utilizes reliable, energy efficient LED illumination.

**FEATURES**

- Attractive specification-grade aluminum extrusion design
- High clarity, optically true, acrylic panels
- Ceiling recessed, wall recessed or surface ceiling, wall or end mount
- Custom legends available
- 120/277VAC dual primary, 60Hz input
- Low voltage disconnect eliminates deep discharge
- Brown-out, short circuit and voltage surge protection
- Maintenance-free lead acid or NiCad battery
- Optional Guardian Self-Test/Self-Diagnostics (G2) available
- Constant, uniform illumination by long-life, high intensity, red or green LEDs
- Fully-illuminated 6" characters with 3/4" stroke
- Field selectable directional chevrons included for all configurations
- Standard finishes: Black, white or brushed aluminum
- Assembled in U.S.A.

**WARRANTY**

Any component that fails due to manufacturers defect is guaranteed for 25 years with a separate 5 year pro-rated warranty on the battery. The warranty does not cover physical damage, abuse or acts of God. See the full Exitronix warranty document for detailed information.

Model: \_\_\_\_\_ Date: \_\_\_\_\_  
 Accessories: \_\_\_\_\_  
 Job Name: \_\_\_\_\_ Type: \_\_\_\_\_



**ORDERING INFORMATION Example: 902E-U-WB-RM-BA-G2**

Series	Mounting	Power Source	Panel Color	Finish	Options (Factory Installed)
902E = Single Face	R = Recessed	LB = AC Only	RC = Red Letters/Clear Panel	WH = White	A1 <sup>4</sup> = Fire Alarm Interface w/Flasher
903E <sup>1</sup> = Double Face	WR <sup>2</sup> = Wall Recessed	WB = With Battery	RW = Red Letters/White Panel	BL = Black	DR = Damp Location Rated
	U = Universal Surface	NC = NiCad	RM = Red Letters/Mirror Panel	BA = Brushed Alum.	G2 <sup>4</sup> = Self-Test/Self-Diagnostics
		2CI1 <sup>3</sup> = 2 Circuit Input 120/120V	GC = Green Letters/Clear Panel		IV = Inverted Mount EXIT Panel
		2CI7 <sup>3</sup> = 2 Circuit Input 277/277V	GW = Green Letters/White Panel		SS <sup>5</sup> = Specialty Signs
		2CI17 <sup>3</sup> = 2 Circuit Input 120/277V	GM = Green Letters/Mirror Panel		

**Notes**

<sup>1</sup> Double face available with white or mirror panel only

<sup>2</sup> Single face, clear panels only (RC or GC)

<sup>3</sup> 2CI not available with G2 option

<sup>4</sup> G2 and A1 options come standard with NiMH batteries, not available with NiCad

<sup>5</sup> Consult factory for alternate legends and custom configurations

<sup>6</sup> Order as separate line item, surface mount only

**Accessories<sup>6</sup> (Field Installed)**

ER1-KIT = 1' Pendant Mount Kit

ER2-KIT = 2' Pendant Mount Kit

## CONSTRUCTION

Housing - available in either a powder coated or brushed aluminum finish.

Surface Mounting: Engineering grade aluminum extrusion with mounting canopy

Recessed Mounting: Galvanized steel housing supplied, with an adjustable bar hanger assembly

Panels - Constructed of high quality, optically true, clear acrylic for maximum light output. Exit letters are 6" high with a 3/4" stroke. Double face panels are supplied with a mirror or white separator. Units are supplied with field selectable directional chevrons for all configurations.

## ILLUMINATION

Illumination of the 900E series is accomplished utilizing high-intensity, long-life LEDs. LEDs are a maintenance-free solution, providing up to 100,000 hours of use without failure.

## ELECTRICAL

### Input

Dual-voltage input 120 or 277VAC @ 60Hz.

### Sealed Lead Acid Battery - SLA (WB)

Extronix sealed lead acid batteries are maintenance-free with a life expectancy of 5 years. Sealed lead acid batteries provide a relatively large power-to-weight ratio making them ideal for emergency applications. Lead Acid batteries perform optimally in temperatures ranging from 59°F - 104°F (15°C - 40°C).

### Sealed Nickel Cadmium Battery - NiCad (NC)

Extronix nickel cadmium batteries are maintenance-free with a life expectancy of 15 years. Nickel cadmium batteries offer high discharge rates and continue to perform in a vast temperature range from 32°F - 104°F (0°C - 40°C).

### Sealed Nickel-metal Hydride - NiMH (With G2 or A1 option only)

Extronix NiMH batteries are maintenance-free with a life expectancy of 15 years. NiMH batteries perform optimally in temperatures ranging from 32°F to 104°F (0°C to 40°C).

### Emergency

The 900E Series exit will operate for a minimum of 90 minutes during a loss of power with a 24 hour maximum recharge time for the battery.

### Two-Circuit Operation (Option: 2C11, 2C17 or 2C17)

Two Circuit input allows for a primary and auxiliary power source to be connected to the emergency unit that does not contain a battery. Applications include those with invertors or alternate backup power sources.

### Brownout Circuit

Brownout circuit monitors the line voltage, as the line voltage sags and can no longer illuminate the exit sign to meet UL924 visibility test, the emergency circuit will turn on to supply a portion or all the power to illuminate the sign for 90 minutes until the line voltage is restored.

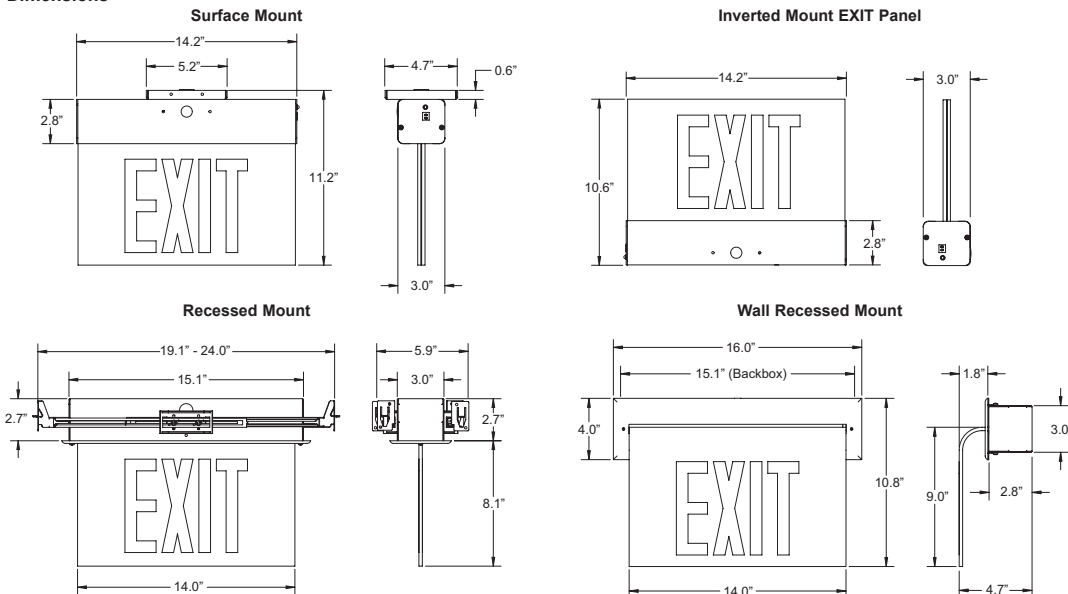
### Low Voltage Disconnect

Low Voltage Disconnect (LVD) measures the battery terminal voltage. The LVD continuously monitors the battery terminal voltage and if it should fall below a preset voltage threshold, the LVD will disconnect the load. When the battery is recharging and voltage is raised above another preset voltage threshold, the load is automatically reconnected.

### Test Button

The test button is easy to locate and provides manual verification of the transfer circuit and emergency lamps.

## Dimensions



Specifications are subject to change without notice. Installation must be performed in accordance with Barron Lighting Group installation instructions.

10800032 07/16

## Solid-State Transfer (G2 or A1 options only)

The circuit features solid-state switching for emergency lamps, eliminating concerns of damaged contact or mechanical failures associated with relays. The switching circuit detects a loss of line voltage and automatically switches to emergency mode.

## Overload and Short-Circuit Protection

The overload monitoring system is a solid state circuit which monitors the lamp load and disconnects from the battery shall an overload or short circuit occur. The overload current protection eliminates the need for fuses or circuit breakers for the DC load.

## INSTALLATION

Installs in minutes with easy-to read instructions and detailed diagrams. No special hardware or tools necessary. Internally housed components and battery.

## Assembled in the U.S.A. (Standard)

Assembled in the U.S.A. and is in full compliance with the American Recovery and Reinvestment Act of 2009 (ARRA) requirements and Buy American provisions.

## OPTIONS

### Damp Location Rated (Option: DR)

Damp location rated fixture that is normally or periodically subject to condensation of moisture in, on or adjacent to, and includes partially protected locations.

### Guardian Self-Test/Self-Diagnostics (Option: G2)

The Guardian circuit continuously monitors the operating condition of the AC power, battery supply voltage, emergency lamp continuity and charging circuit.

The purpose of this option is to provide visual signaling in response to a fault at the EXIT sign battery and/or battery charger. If a failure is detected, visual status will occur immediately via the CHARGER LED and/or the BATTERY FAULT LED. The LEDs will stay illuminated until the fault is corrected.

The Guardian circuit also monitors the transfer circuit as well as performing automatic code compliant testing. The Guardian circuit will perform a 30 second discharge and self-test every 28-30 days. A 90 minute discharge and self-test is performed every 6 months.

### Fire Alarm Interface (Option: A1)

Our fire alarm interface option ties into the building's fire alarm system allowing for exits and emergency units to be triggered prior to loss of power.

A1: Fire alarm interface including Flasher option

### Inverted Mount EXIT Panel (Option: IV)

The IV option is designed where the panel is inverted to allow the enclosure to be installed on a ledge application.

### Custom and Specialty Legends (Option: SS)

Extronix offers a variety of standard specialty signs designed to provide directional or safety information in applications where clear and accurate delivery of information is required.

Examples of specialty legends include:

"X-RAY IN USE"	"ON THE AIR"
Restroom Signage	"DO NOT ENTER"
"NO SMOKING"	"OCCUPIED"
"AREA OF RESCUE ASSISTANCE" with ADA Symbol on Left or Right	

Custom Legends are also available - please call factory for details with questions.