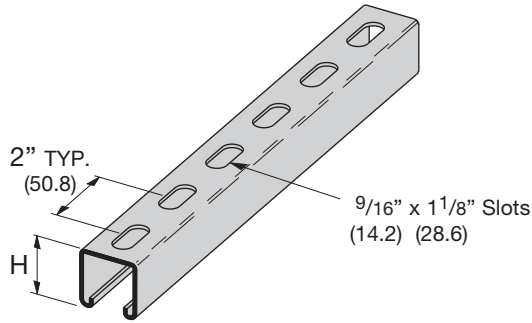


# Aluminum

## SH TYPE CHANNEL

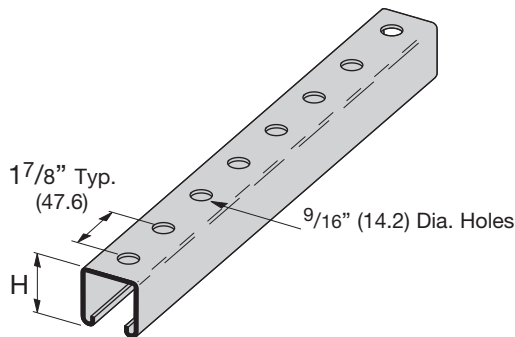
- Material: Aluminum



Part No.	Thickness		H		Wt./C Lbs./Ft. kg/m	
	<b>B12SH AL</b>	.105	(2.6)	2 <sup>7</sup> / <sub>16</sub> "	(61.9)	.83
<b>B22SH AL</b>	.105	(2.6)	1 <sup>5</sup> / <sub>8</sub> "	(41.3)	.63	(.93)
<b>B24SH AL</b>	.080	(2.0)	1 <sup>5</sup> / <sub>8</sub> "	(41.3)	.49	(.73)
<b>B54SH AL</b>	.080	(2.0)	1 <sup>3</sup> / <sub>16</sub> "	(20.6)	.34	(.50)

## H-17/8 TYPE CHANNEL

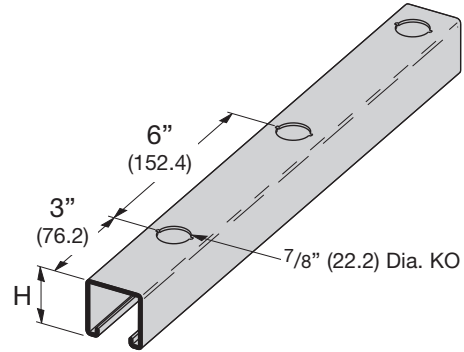
- Material: Aluminum



Part No.	Thickness		H		Wt./C Lbs./Ft. kg/m	
	<b>B12H17/8 AL</b>	.105	(2.6)	2 <sup>7</sup> / <sub>16</sub> "	(61.9)	.86
<b>B22H17/8 AL</b>	.105	(2.6)	1 <sup>5</sup> / <sub>8</sub> "	(41.3)	.66	(.98)
<b>B24H17/8 AL</b>	.080	(2.0)	1 <sup>5</sup> / <sub>8</sub> "	(41.3)	.52	(.77)
<b>B54H17/8 AL</b>	.080	(2.0)	1 <sup>3</sup> / <sub>16</sub> "	(20.6)	.37	(.55)

## KO6 TYPE KNOCKOUT CHANNEL

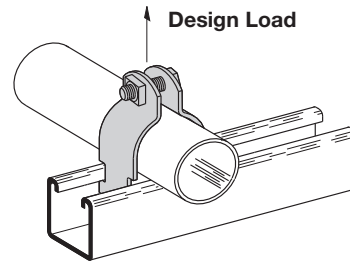
- Material: Aluminum



Part No.	Thickness		H		Wt./C Lbs./Ft. kg/m	
	<b>B12KO6 AL</b>	.105	(2.6)	2 <sup>7</sup> / <sub>16</sub> "	(61.9)	.86
<b>B22KO6 AL</b>	.105	(2.6)	1 <sup>5</sup> / <sub>8</sub> "	(41.3)	.66	(.98)
<b>B24KO6 AL</b>	.080	(2.0)	1 <sup>5</sup> / <sub>8</sub> "	(41.3)	.52	(.77)
<b>B54KO6 AL</b>	.080	(2.0)	1 <sup>3</sup> / <sub>16</sub> "	(20.6)	.37	(.55)

## B2000 SERIES RIGID CONDUIT CLAMPS

- Safety Factor of 5
- Machine Screw and Square Nut included
- Pipe clamp material 5052-H32



Part No.	Conduit or Pipe Size		Material Thickness		Design Load		Wt./C	
					Lbs.	kN	Lbs.	kg
<b>B2001 AL</b>	3/8"	(10)	.063	(1.6)	180	(.80)	4	(1.8)
<b>B2008 AL</b>	1/2"	(15)	.063	(1.6)	180	(.80)	4	(1.8)
<b>B2009 AL</b>	3/4"	(20)	.080	(2.0)	270	(1.20)	6	(2.7)
<b>B2010 AL</b>	1"	(25)	.080	(2.0)	270	(1.20)	7	(3.2)
<b>B2011 AL</b>	1 1/4"	(32)	.080	(2.0)	270	(1.20)	8	(3.6)
<b>B2012 AL</b>	1 1/2"	(40)	.100	(2.5)	360	(1.60)	11	(5.0)
<b>B2013 AL</b>	2"	(50)	.100	(2.5)	360	(1.60)	12	(5.4)
<b>B2014 AL</b>	2 1/2"	(65)	.100	(2.5)	360	(1.60)	13	(5.9)
<b>B2015 AL</b>	3"	(80)	.100	(2.5)	360	(1.60)	16	(7.2)
<b>B2016 AL</b>	3 1/2"	(90)	.125	(3.2)	450	(2.00)	22	(10.0)
<b>B2017 AL</b>	4"	(100)	.125	(3.2)	450	(2.00)	24	(10.9)
<b>B2018 AL</b>	4 1/2"	(115)	.125	(3.2)	450	(2.00)	26	(11.8)
<b>B2019 AL</b>	5"	(125)	.125	(3.2)	450	(2.00)	27	(12.2)
<b>B2020 AL</b>	6"	(150)	.125	(3.2)	450	(2.00)	33	(14.9)