

Product availability : Stock - Normally stocked in distribution facility



Price* : 30.00 USD



Main

| | |
|------------------------------------|-------------------------------|
| Range of product | Harmony XVU |
| Product or component type | Modular tower light |
| Accessory / separate part type | Fixing plate |
| Accessory / separate part category | Mounting and fixing accessory |
| Component name | XVU |
| Mounting diameter | 2.36 in (60 mm) |

Complementary

| | |
|---------------------------|--|
| Pole height | 3.94 in (100 mm) |
| Mounting support | Plate with pole |
| Product compatibility | Top: AC body Top: DC body Top: swivel mounting support |
| Material | PBT (polybutylene terephthalate) V-0 flame retardant conforming to UL 94 ABS (acrylonitrile butadiene-styrene) Aluminium PC (polycarbonate) |
| Housing colour | Silver |
| Connections - terminals | Push-in |
| [Us] rated supply voltage | 110...240 V AC 24 V AC/DC |
| Length | 4.61 in (117 mm) |
| Product weight | 0.29 lb(US) (0.132 kg) |

Environment

| | |
|---------------------------------------|----------------------------|
| Ambient air temperature for storage | -40...158 °F (-40...70 °C) |
| Ambient air temperature for operation | -13...122 °F (-25...50 °C) |
| IP degree of protection | IP65 |
| Product certifications | CE |

Ordering and shipping details

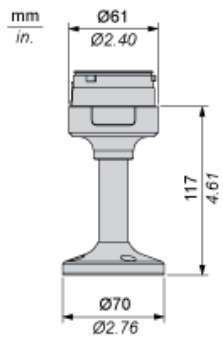
| | |
|-----------------------|--------------------------|
| Category | 22618 - XVU TOWER LIGHTS |
| Discount Schedule | XV |
| GTIN | 00785901780076 |
| Nbr. of units in pkg. | 1 |
| Package weight(Lbs) | 0.6600000000000003 |
| Returnability | Y |
| Country of origin | ID |

Offer Sustainability

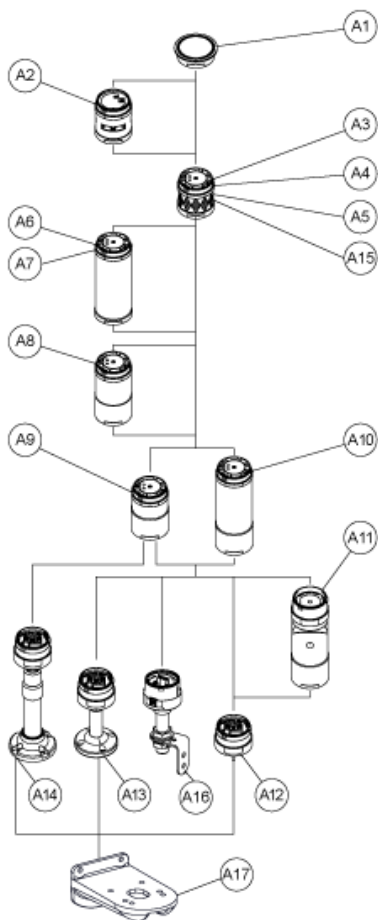
| | |
|----------------------------------|--|
| Sustainable offer status | Green Premium product |
| RoHS (date code: YYWW) | Compliant Schneider Electric declaration of conformity |
| REACH | Reference not containing SVHC above the threshold Reference not containing SVHC above the threshold |
| Product environmental profile | Available |
| Product end of life instructions | Available |
| California proposition 65 | WARNING: This product can expose you to chemicals including: |
| ----- Substance 1 | Lead and lead compounds, which is known to the State of California to cause cancer and birth defects or other reproductive harm. |
| ----- More information | For more information go to www.p65warnings.ca.gov |

Fixing Unit - Plate with Pole

Dimensions



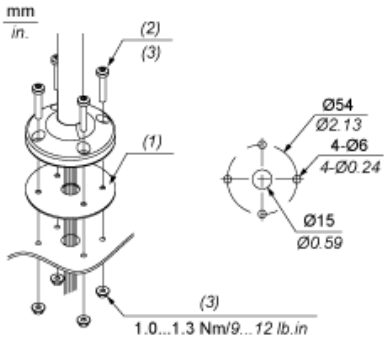
Modular Tower Lights Mounting



| Drawing | Part number | Part name |
|---------|-------------|------------------------------|
| A1 | - | Top cover |
| | - | Top cover (Silver) |
| A2 | XVUC9S | Buzzer unit |
| | XVUC9SQ | Buzzer unit (Silver) |
| A3 | XVUC23 | Green LED unit |
| | XVUC24 | Red LED unit |
| | XVUC25 | Orange LED unit |
| | XVUC26 | Blue LED unit |
| | XVUC27 | White LED unit |
| | XVUC28 | Yellow LED unit |
| A4 | XVUC29 | Multi-LED unit |
| A5 | XVUC29P | Multi-LED unit, Pulse signal |
| A6 | XVUC9V | Sound unit |
| A7 | XVUC9VP | Sound unit, Pulse signal |

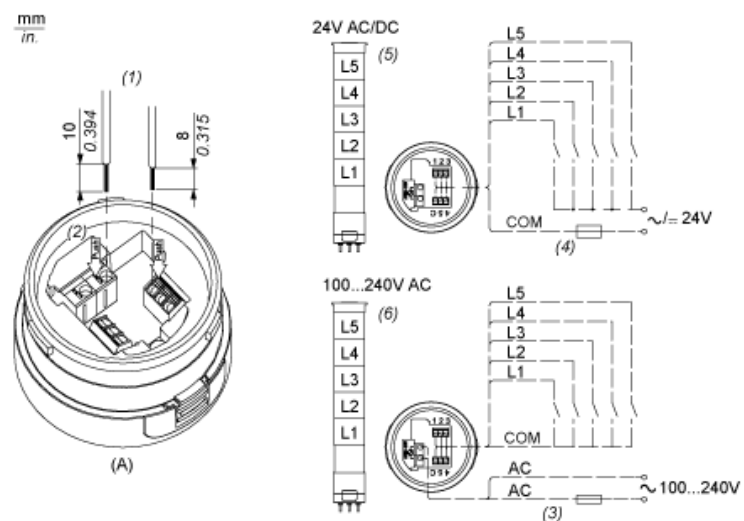
| Drawing | Part number | Part name |
|---------|-------------|---|
| A8 | XVUC020 | Extender |
| | XVUC020Q | Extender (Silver) |
| A9 | XVUC21B | DC body |
| | XVUC21BQ | DC body (Silver) |
| A10 | XVUC21M | AC body NPN |
| | XVUC21MP | AC body PNP |
| | XVUC21MQP | AC body PNP (Silver) |
| A11 | XVUZ06 | Flexible option |
| A12 | XVUZ01 | Fixing Unit - Direct mounting (3 pins) |
| | XVUZ01Q | Fixing Unit - Direct mounting (Silver,3 pins) |
| | XVUZ03 | Fixing Unit - Direct mounting (2 pins) |
| | XVUZ04 | Fixing Unit - Direct mounting (4 pins) |
| A13 | XVUZ02 | Fixing Unit - Plate with Pole (100 mm) |
| | XVUZ02Q | Fixing Unit - Plate with Pole (100 mm, Silver) |
| | XVUZ400 | Fixing Unit - Plate with Pole (400 mm) |
| | XVUZ800 | Fixing Unit - Plate with Pole (800 mm) |
| A14 | XVUZ05 | Fixing Unit - Plate with adjustment pole (100-385 mm) |
| A15 | XVUC43 | Green LED unit, Flash |
| | XVUC44 | Red LED unit, Flash |
| | XVUC45 | Orange LED unit, Flash |
| | XVUC46 | Blue LED unit, Flash |
| | XVUC47 | White LED unit, Flash |
| | XVUC48 | Yellow LED unit, Flash |
| A16 | XVUZ100T | Fixing Unit - Metal bracket with pole (100 mm) |
| | XVUZ250T | Fixing Unit - Metal bracket with pole(250 mm) |
| | XVUZ400T | Fixing Unit - Metal bracket with pole (400 mm) |
| A17 | XVUZ12 | Fixing plate for use on vertical support - black |

Modular Tower Lights Mounting



- (1) Gasket
- (2) Screw x 4 (unattached)
- (3) M5 x (thickness+10 mm /0.39 in.)

Illuminated Units, Multi-LED and Audible Units Wiring



- (A) Fixing Unit
 - (1) Dimensions of Wiring size
 - (2) Push-in Wire Connectors
 - (3) Fuse : 2A ,250V
 - (4) Fuse : 0.5A ,125V
 - (5) Modular Tower Lights 24V AC/DC
 - (6) Modular Tower Lights 100...240V AC
- L1 to L5 : Illuminated LED Units