

Product availability : Stock - Normally stocked in distribution facility



Price\* : 20.00 USD



### Main

|                                    |                               |
|------------------------------------|-------------------------------|
| Range of product                   | Harmony XVU                   |
| Product or component type          | Modular tower light           |
| Accessory / separate part type     | Mounting plate                |
| Accessory / separate part category | Mounting and fixing accessory |
| Component name                     | XVU                           |
| Mounting diameter                  | 2.36 in (60 mm)               |

### Complementary

|                           |   |
|---------------------------|---|
| Number of pins            | 3   |
| Mounting support          | Direct mounting   |
| Product compatibility     | Top: AC body<br>Top: DC body<br>Top: swivel mounting support  |
| Material                  | PBT (polybutylene terephthalate) V-0 flame retardant conforming to UL 94<br>ABS (acrylonitrile butadiene-styrene)<br>PC (polycarbonate) |
| Housing colour            | Black   |
| Connections - terminals   | Push-in   |
| [Us] rated supply voltage | 110...240 V AC<br>24 V AC/DC  |
| Length                    | 0.67 in (17 mm)   |
| Product weight            | 0.14 lb(US) (0.063 kg)  |

### Environment

|                                       |                            |
|---------------------------------------|----------------------------|
| Ambient air temperature for storage   | -40...158 °F (-40...70 °C) |
| Ambient air temperature for operation | -13...122 °F (-25...50 °C) |
| IP degree of protection               | IP65                       |
| Product certifications                | CSA<br>UL                  |

## Ordering and shipping details

|                       |                          |
|-----------------------|--------------------------|
| Category              | 22618 - XVU TOWER LIGHTS |
| Discount Schedule     | XV                       |
| GTIN                  | 00785901778707           |
| Nbr. of units in pkg. | 1                        |
| Package weight(Lbs)   | 0.35000000000000003      |
| Returnability         | Y                        |
| Country of origin     | ID                       |

## Offer Sustainability

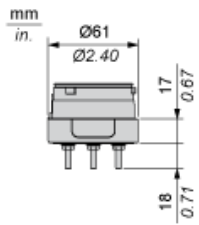
|                                  |  |
|----------------------------------|--|
| Sustainable offer status         | Green Premium product  |
| RoHS (date code: YYWW)           | Compliant<br><a href="#">Schneider Electric declaration of conformity</a>  |
| REACH                            | Reference not containing SVHC above the threshold<br><a href="#">Reference not containing SVHC above the threshold</a>           |
| Product environmental profile    | Available  |
| Product end of life instructions | Available  |
| California proposition 65        | WARNING: This product can expose you to chemicals including:   |
| ----- Substance 1                | Lead and lead compounds, which is known to the State of California to cause cancer and birth defects or other reproductive harm. |
| ----- More information           | For more information go to <a href="http://www.p65warnings.ca.gov">www.p65warnings.ca.gov</a>                                    |

---

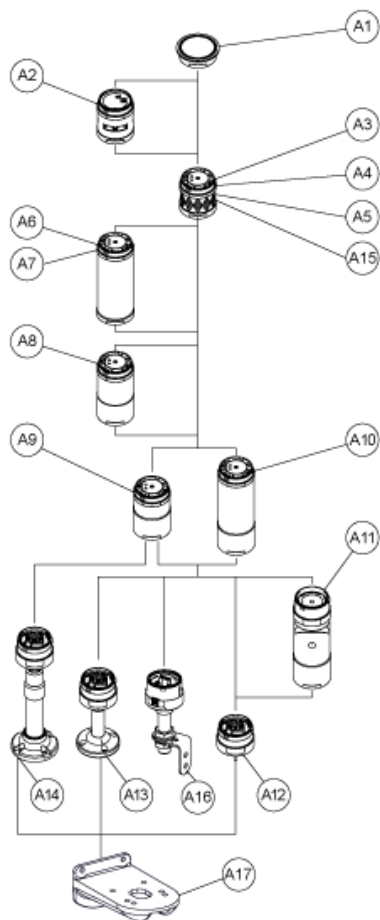
Fixing Unit

---

Dimensions



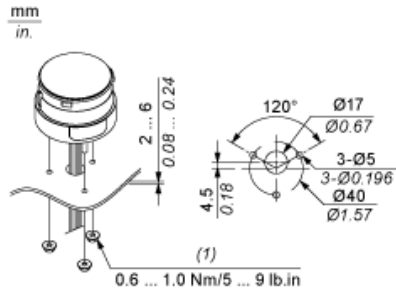
Modular Tower Lights Mounting



| Drawing | Part number | Part name                    |
|---------|-------------|------------------------------|
| A1      | -           | Top cover                    |
|         | -           | Top cover (Silver)           |
| A2      | XVUC9S      | Buzzer unit                  |
|         | XVUC9SQ     | Buzzer unit (Silver)         |
| A3      | XVUC23      | Green LED unit               |
|         | XVUC24      | Red LED unit                 |
|         | XVUC25      | Orange LED unit              |
|         | XVUC26      | Blue LED unit                |
|         | XVUC27      | White LED unit               |
|         | XVUC28      | Yellow LED unit              |
| A4      | XVUC29      | Multi-LED unit               |
| A5      | XVUC29P     | Multi-LED unit, Pulse signal |
| A6      | XVUC9V      | Sound unit                   |
| A7      | XVUC9VP     | Sound unit, Pulse signal     |

| Drawing | Part number | Part name   |
|---------|-------------|---|
| A8      | XVUC020     | Extender  |
|         | XVUC020Q    | Extender (Silver)                                     |
| A9      | XVUC21B     | DC body   |
|         | XVUC21BQ    | DC body (Silver)                                      |
| A10     | XVUC21M     | AC body NPN   |
|         | XVUC21MP    | AC body PNP   |
|         | XVUC21MQP   | AC body PNP (Silver)                                  |
| A11     | XVUZ06      | Flexible option                                       |
| A12     | XVUZ01      | Fixing Unit - Direct mounting (3 pins)                |
|         | XVUZ01Q     | Fixing Unit - Direct mounting (Silver,3 pins)         |
|         | XVUZ03      | Fixing Unit - Direct mounting (2 pins)                |
|         | XVUZ04      | Fixing Unit - Direct mounting (4 pins)                |
| A13     | XVUZ02      | Fixing Unit - Plate with Pole (100 mm)                |
|         | XVUZ02Q     | Fixing Unit - Plate with Pole (100 mm, Silver)        |
|         | XVUZ400     | Fixing Unit - Plate with Pole (400 mm)                |
|         | XVUZ800     | Fixing Unit - Plate with Pole (800 mm)                |
| A14     | XVUZ05      | Fixing Unit - Plate with adjustment pole (100-385 mm) |
| A15     | XVUC43      | Green LED unit, Flash                                 |
|         | XVUC44      | Red LED unit, Flash                                   |
|         | XVUC45      | Orange LED unit, Flash                                |
|         | XVUC46      | Blue LED unit, Flash                                  |
|         | XVUC47      | White LED unit, Flash                                 |
|         | XVUC48      | Yellow LED unit, Flash                                |
| A16     | XVUZ100T    | Fixing Unit - Metal bracket with pole (100 mm)        |
|         | XVUZ250T    | Fixing Unit - Metal bracket with pole(250 mm)         |
|         | XVUZ400T    | Fixing Unit - Metal bracket with pole (400 mm)        |
| A17     | XVUZ12      | Fixing plate for use on vertical support - black      |

Modular Tower Lights Mounting



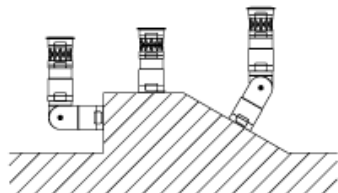
(1) M4 Nut x 3 (attached)

---

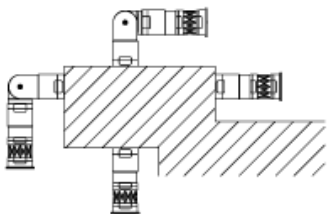
Flexible Option Mounting

---

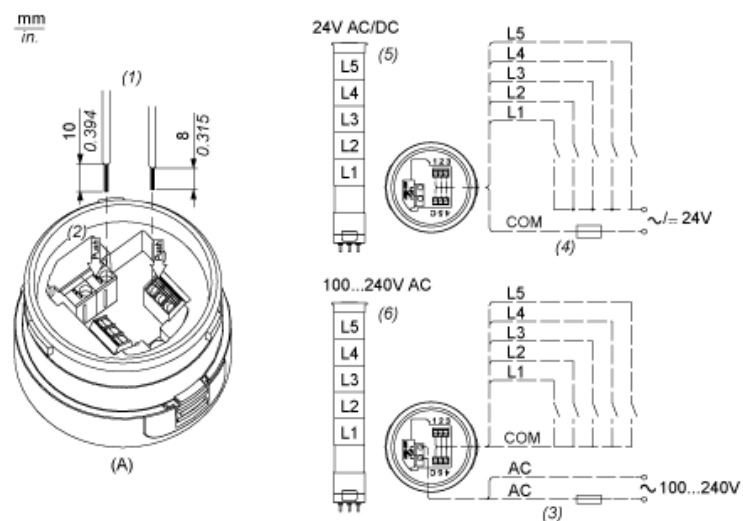
Recommended Mounting



No Recommended Mounting



Illuminated Units, Multi-LED and Audible Units Wiring



- (A) Fixing Unit
  - (1) Dimensions of Wiring size
  - (2) Push-in Wire Connectors
  - (3) Fuse : 2A ,250V
  - (4) Fuse : 0.5A ,125V
  - (5) Modular Tower Lights 24V AC/DC
  - (6) Modular Tower Lights 100...240V AC
- L1 to L5 : Illuminated LED Units