

# Product data sheet

## Characteristics

# XVUC9V

Ø 60 mm - XVU Sound unit - IP54 - 24 V AC/DC, Black

Product availability : Stock - Normally stocked in distribution facility



Price\* : 98.00 USD



### Main

Range of product	Harmony XVU
Product or component type	Modular tower light
Beacon or indicator bank unit type	Sound unit
Mounting diameter	2.36 in (60 mm)
Component name	XVU
Housing colour	Black

### Complementary

Signalling type	Adjustable vocal sound
Material	PBT (polybutylene terephthalate) V-0 flame retardant conforming to UL 94 ABS (acrylonitrile butadiene-styrene) V-0 flame retardant conforming to UL 94
Localisation on device	AC/DC adapter
Assembly style	Customer assembly
[Us] rated supply voltage	24 V AC/DC
Power dissipation in W	<= 5.55 W
Acoustic level	86 dB at 1 m
Sound frequency	20 Hz...20 KHz
Current consumption	<= 400 mA at 24 V AC/DC <= 135 mA at 100...240 V AC
Length	6.1 in (155 mm)
Product weight	0.48 lb(US) (0.219 kg)

### Environment

Product certifications	CSA CE UL RoHS
------------------------	-------------------------

Ambient air temperature for storage	-40...158 °F (-40...70 °C)
Ambient air temperature for operation	-4...122 °F (-20...50 °C)
IP degree of protection	IP54

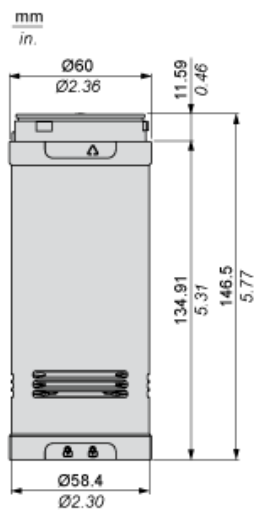
**Ordering and shipping details**

Category	22618 - XVU TOWER LIGHTS
Discount Schedule	XV
GTIN	00785901285021
Nbr. of units in pkg.	1
Package weight(Lbs)	0.82000000000000006
Returnability	Y
Country of origin	ID

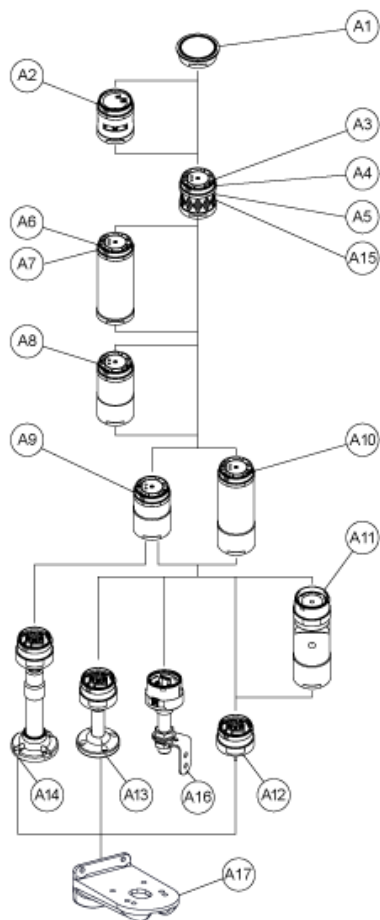
**Offer Sustainability**

Sustainable offer status	Green Premium product
RoHS (date code: YYWW)	Compliant <a href="#">Schneider Electric declaration of conformity</a>
REACH	Reference not containing SVHC above the threshold <a href="#">Reference not containing SVHC above the threshold</a>
Product environmental profile	Available
Product end of life instructions	Available
California proposition 65	WARNING: This product can expose you to chemicals including:
----- Substance 1	Lead and lead compounds, which is known to the State of California to cause cancer and birth defects or other reproductive harm.
----- More information	For more information go to <a href="http://www.p65warnings.ca.gov">www.p65warnings.ca.gov</a>

Dimensions



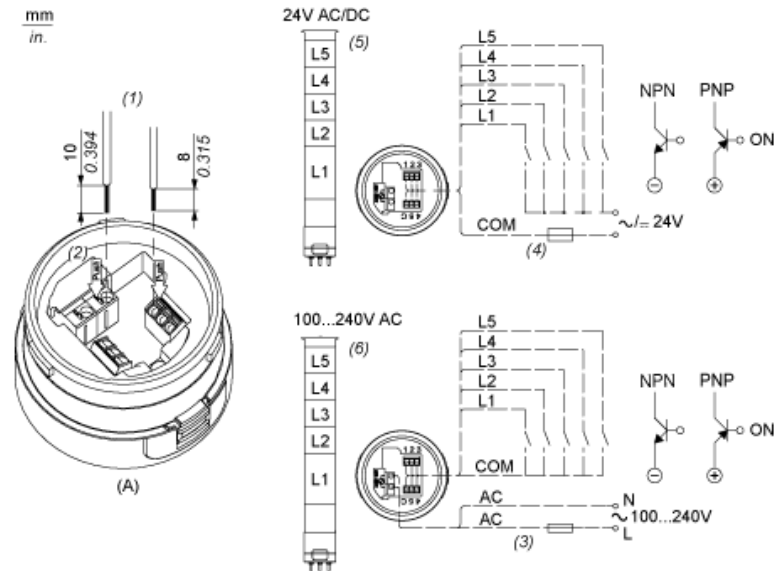
## Modular Tower Lights Mounting



Drawing	Part number	Part name
A1	-	Top cover
	-	Top cover (Silver)
A2	XVUC9S	Buzzer unit
	XVUC9SQ	Buzzer unit (Silver)
A3	XVUC23	Green LED unit
	XVUC24	Red LED unit
	XVUC25	Orange LED unit
	XVUC26	Blue LED unit
	XVUC27	White LED unit
	XVUC28	Yellow LED unit
A4	XVUC29	Multi-LED unit
A5	XVUC29P	Multi-LED unit, Pulse signal
A6	XVUC9V	Sound unit
A7	XVUC9VP	Sound unit, Pulse signal

Drawing	Part number	Part name
A8	XVUC020	Extender
	XVUC020Q	Extender (Silver)
A9	XVUC21B	DC body
	XVUC21BQ	DC body (Silver)
A10	XVUC21M	AC body NPN
	XVUC21MP	AC body PNP
	XVUC21MQP	AC body PNP (Silver)
A11	XVUZ06	Flexible option
A12	XVUZ01	Fixing Unit - Direct mounting (3 pins)
	XVUZ01Q	Fixing Unit - Direct mounting (Silver,3 pins)
	XVUZ03	Fixing Unit - Direct mounting (2 pins)
	XVUZ04	Fixing Unit - Direct mounting (4 pins)
A13	XVUZ02	Fixing Unit - Plate with Pole (100 mm)
	XVUZ02Q	Fixing Unit - Plate with Pole (100 mm, Silver)
	XVUZ400	Fixing Unit - Plate with Pole (400 mm)
	XVUZ800	Fixing Unit - Plate with Pole (800 mm)
A14	XVUZ05	Fixing Unit - Plate with adjustment pole (100-385 mm)
A15	XVUC43	Green LED unit, Flash
	XVUC44	Red LED unit, Flash
	XVUC45	Orange LED unit, Flash
	XVUC46	Blue LED unit, Flash
	XVUC47	White LED unit, Flash
	XVUC48	Yellow LED unit, Flash
A16	XVUZ100T	Fixing Unit - Metal bracket with pole (100 mm)
	XVUZ250T	Fixing Unit - Metal bracket with pole(250 mm)
	XVUZ400T	Fixing Unit - Metal bracket with pole (400 mm)
A17	XVUZ12	Fixing plate for use on vertical support - black

Illuminated Units, Multi-LED and Audible Units Wiring



- (A) Fixing Unit
- (1) Dimensions of Wiring size
- (2) Push-in Wire Connectors
- (3) Fuse : 2A ,250V
- (4) Fuse : 0.5A ,125V
- (5) Modular Tower Lights with Audible Units 24V AC/DC
- (6) Modular Tower Lights with Audible Units 100...240V AC
- L1 : Power Channel (Voice)
- L2 to L5 : Illuminated LED with Tone Channels