



# SlimPak Pro

## WSPS40LED 40 Watt LED SlimPak



### SPECIFICATIONS:

**Lumens:** 4047  
**Watts:** 38.28  
**Lumens/Watt:** 105.7  
**CRI:** 75.2  
**CCT:** 4576  
**Lifespan:** 200,000+ hrs.<sup>1</sup>



Patent Pending

### Construction:

Designed for commercial and industrial applications, providing cooler operating temperatures, brighter light and longer LED life. Apertures for field or factory installed photocontrol. Hinged at bottom to prevent leakage.

### Installation:

Labor saving features including bubble level and removable hinged face frame.

### Zero Glare:

The fixture design directs more light down and forward without wasting lumens and offensive light.

### Thermal Management:

Atlas SlimPak Pro fixtures are designed as a complete system to optimize LED life and light output. The Patent Pending thermal stacking heat removal technology extracts heat from within the housing moving it away from LEDs and components. The lower temperatures result in long LED life (200,000+ hrs) and component life and also allows for higher light output.

### Listings:

Luminaire is certified to cUL and CSA Standards for Wet Locations  
 Lighting Facts Certified  
 DesignLights Consortium Premium qualified luminaire, eligible for rebates from DLC member utilities.

### AC Input:

120/208/240/277 V

### Driver:

Constant current, Class 2, 120-277 VAC, 50-60 Hz  
 High Efficiency – min. 85%  
 Off-State Power: 0 Watts  
 0-10 V Dimming

### LEDs:

4500K CCT

### Testing:

Atlas LED luminaires have been tested by an independent laboratory in accordance with IESNA LM-79 & LM-80, and have received the Department of Energy "Lighting Facts" label.

### Warranty:

Five-year limited warranty

### Photo Control:

For factory installed 120V button photo control add suffix PC to part number. Atlas uses only premium LED compatible photocontrols.

### Project Information

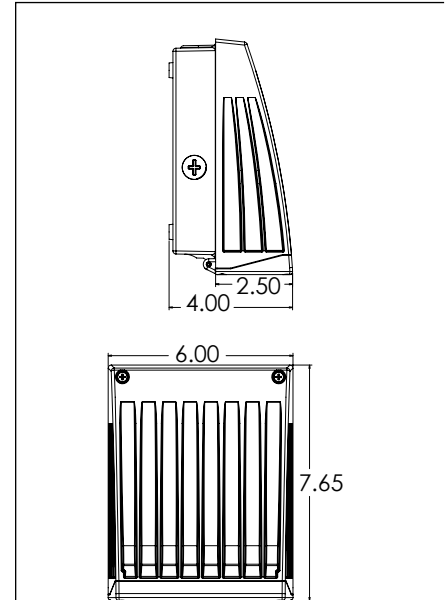
Job Name

Fixture Type 40 Watt LED Die Cast SlimPak

Catalog Number WSPS40LED

Approved by

### DIMENSIONS:



<sup>1</sup>LED Life Span Based Upon LM-80 Test Results

**Rebates and Incentives are available in many areas. Contact an Atlas Representative for more information.**

## ATLAS LIGHTING PRODUCTS, INC.

PO BOX 2348 | BURLINGTON, NC 27216  
 800-849-8485 | FAX: 336-227-0110 | www.atlasled.com

Made in the USA of US and imported parts. Meets Buy American requirements within the ARRA.

Atlas Lighting Products, Inc.


**LED** lighting facts®  
A Program of the U.S. DOE

<b>Light Output (Lumens)</b>	<b>4047</b>
<b>Watts</b>	<b>38.28</b>
<b>Lumens per Watt (Efficacy)</b>	<b>105.72</b>

---

<b>Color Accuracy</b> Color Rendering Index (CRI)	<b>75</b>
--	-----------

---

<b>Light Color</b> Correlated Color Temperature (CCT)	<b>4576 (Daylight)</b>		
			
2700K	3000K	4500K	6500K

All results are according to IESNA LM-79-2008: *Approved Method for the Electrical and Photometric Testing of Solid-State Lighting*. The U.S. Department of Energy (DOE) verifies product test data and results.

Visit [www.lightingfacts.com](http://www.lightingfacts.com) for the *Label Reference Guide*.

Registration Number: PRB4-O8H5HB (7/28/2016)  
Model Number: WSPS40LED  
Type: Luminaire - Area/Roadway