



# Wall Pak Pro

**WPL86LED** 86 Watt LED Wall Pak



## Project Information

Job Name

Fixture Type 86 Watt LED Die Cast Wall Pak

Catalog Number WPL86LED

Approved by

## SPECIFICATIONS:

**Lumens:** 11250

**Watts:** 85.57

**Lumens/Watt:** 131.5

**CRI:** 82.4

**CCT:** 4510

**Lifespan:** 200,000+ hrs.<sup>1</sup>

### Construction:

Designed for commercial and industrial applications, providing cooler operating temperatures, brighter light and longer LED life. Manufactured w/ 100% pure aluminum & 0% remelt. Apertures for field or factory installed photocontrol.

### Installation:

Labor saving quick mount box with apertures for continuous wiring.

### Zero Glare:

Using the latest high brightness, high LED count technology, more usable light output is produced while eliminating glare. The fixture design directs more light down and forward without wasting lumens and offensive light.

### Thermal Management:

Atlas Wall Pak Pro fixtures are designed as a complete system to optimize LED life and light output. The Patent Pending thermal stacking heat removal technology extracts heat from within the housing moving it away from LEDs and components. The lower temperatures result in long LED life (200,000+ hrs) and component life and also allows for higher light output.

### Listings:

Luminaire is certified to cUL and CSA Standards for Wet Locations  
Lighting Facts Certified  
DesignLights Consortium Premium qualified luminaire, eligible for rebates from DLC member utilities.

### AC Input:

120/208/240/277 V

### Driver:

Constant current, Class 2, 120-277 VAC, 50-60 Hz  
High Efficiency – min. 84%  
Off-State Power: 0 Watts  
0-10 V Dimming

### LEDs:

4500K CCT  
Epoxy Guard™ protective conformal coated boards

### Warranty:

Five-year limited warranty

### Testing:

Atlas LED luminaires have been tested by an independent laboratory in accordance with IESNA LM-79 & LM-80, and have received the Department of Energy "Lighting Facts" label.

### Options:

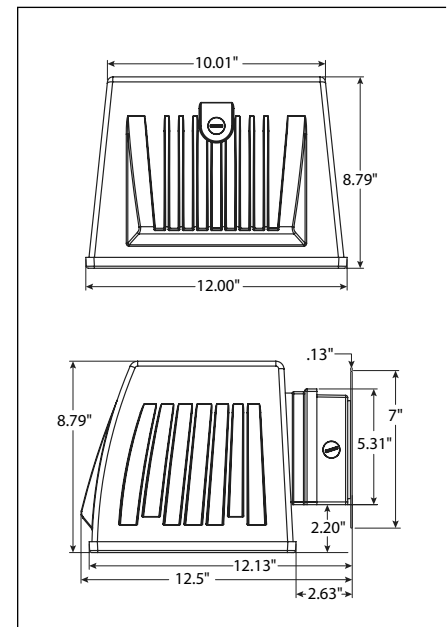
Photo Control - For factory installed 120V button photo control add suffix PC to part number.  
480 Volt - For 480V add suffix 4 to part number.

**Alpha Series LED**  
PROFESSIONAL GRADE



**WPL86LED Design is Protected by US Patent D740,997 and D752,274**

## DIMENSIONS:



<sup>1</sup>LED Life Span Based Upon LM-80 Test Results

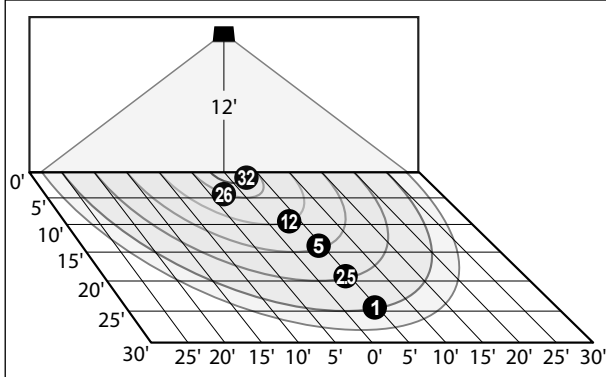
**Rebates and Incentives are available in many areas. Contact an Atlas Representative for more information.**

**ATLAS LIGHTING PRODUCTS, INC.**

PO BOX 2348 | BURLINGTON, NC 27216  
800-849-8485 | FAX: 336-227-0110 | www.atlasled.com

Made in the USA of US and imported parts. Meets Buy American requirements within the ARRA.

**PHOTOMETRIC**

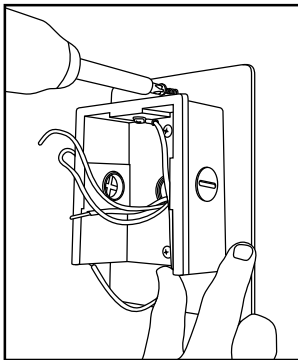


**ENERGY SAVINGS**

LED		HID			ANNUAL SAVINGS
WATTAGE	ANNUAL COST	SOURCE WATTAGE	TOTAL WATTAGE USED	ANNUAL COST	
86	\$38	200	232	\$128	\$90
86	\$38	250	285	\$150	\$112
86	\$38	400	458	\$226	\$188

**LABOR SAVING: QUICK & SECURE MOUNTING**

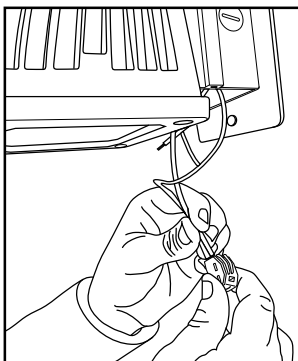
Protected by US Patent D752,274



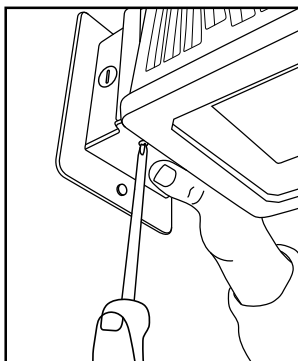
Secure Mounting Plate with back box to wall



Slide fixture housing onto mounting box



Connect wires & return them to mounting box



Replace bottom plate on quick mount box

Atlas Lighting Products

**lighting facts**<sup>®</sup>  
A Program of the U.S. DOE

<b>Light Output (Lumens)</b>	<b>11250</b>
<b>Watts</b>	<b>85.57</b>
<b>Lumens per Watt (Efficacy)</b>	<b>131.5</b>

---

<b>Color Accuracy</b> Color Rendering Index (CRI)	<b>82</b>
--	-----------

---

**Light Color**  
Correlated Color Temperature (CCT) **4510 (Daylight)**

Warm White
Bright White
Daylight

2700K
3000K
4500K
6500K

All results are according to IESNA LM-79-2008: *Approved Method for the Electrical and Photometric Testing of Solid-State Lighting*. The U.S. Department of Energy (DOE) verifies product test data and results.

**Visit [www.lightingfacts.com](http://www.lightingfacts.com) for the Label Reference Guide.**

Registration Number: PRB4-HMF4LH (2/4/2016)  
Model Number: WPL86LED [Upgrade : 2/4/2016]  
Type: Luminaire - Area/Roadway