



Wall Light

WLMFC43LED 43 Watt LED Wall Light



SPECIFICATIONS:

Lumens: 5366
Watts: 41.20
Lumens/Watt: 130.2
CRI: 81.9
CCT: 4602
Lifespan: 200,000+ hrs.¹

Construction:

Rugged Traditional aluminum die cast housing provides proven environmental protection for LED modules. Traditional fixture design provides a familiar look and standard installation requirements. Retaining this look allows the ability to upgrade fixtures gradually, while retaining the same overall fixture appearance throughout a facility.

Glare Free:

Positioning of the LED modules within the housing result in light directed to desired locations and eliminates offensive light.

Thermal Management:

Atlas' Patent Pending exclusive Thermal Management System™ features a unique internal design that allows for lower operating temperatures which results in a brighter, whiter light, more stable color and longer LED and driver life.

Listings:

Luminaire is certified to UL Standards for Wet Locations
 Lighting Facts Certified
 DesignLights Consortium Premium qualified luminaire, eligible for rebates from DLC member utilities.

AC Input:

120/208/240/277 V

Driver:

Constant current, Class 2, 120-277 VAC, 50-60 Hz
 High Efficiency – min. 88%
 Off-State Power: 0 Watts
 0-10 V Dimming

LEDs:

4500K CCT
 Epoxy Guard™ protective conformal coated boards

Atlas LEDs provide higher lumen output, greater energy efficiency and more reliable fixture performance.

Warranty:

Atlas Lighting Products provides a 5 year limited warranty for this product. A full warranty can be found at www.alpinc.com.

Testing:

Atlas LED luminaires have been tested by an independent laboratory in accordance with IESNA LM-79 & LM-80, and have received the Department of Energy "Lighting Facts" label.

Installation:

Fixture retains the same knock-out sizes and positions as previous models, reducing wiring costs.

Photo Control:

For factory installed 120V button photo control add suffix PC to part number.

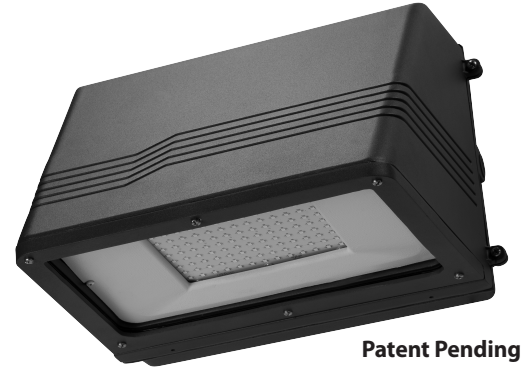
Project Information

Job Name

Fixture Type 43 Watt LED Medium Wall Light

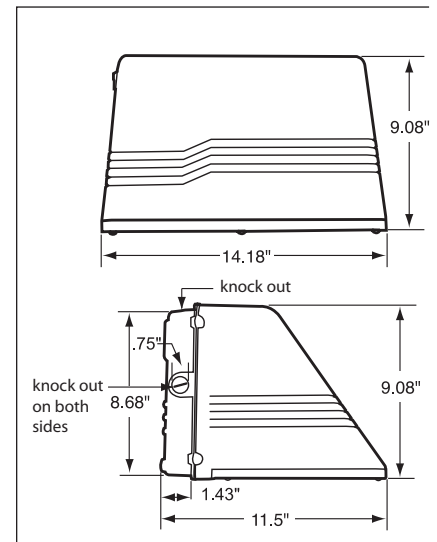
Catalog Number WLMFC43LED

Approved by



Patent Pending

DIMENSIONS:



¹LED Life Span Based Upon LM-80 Test Results

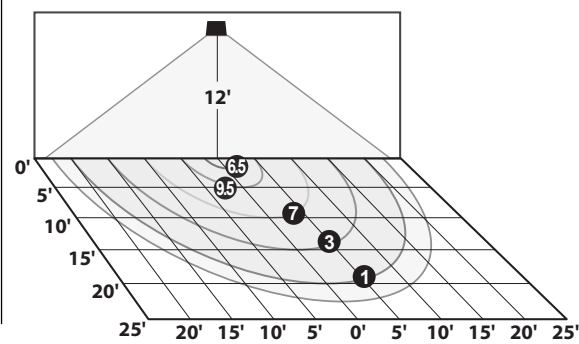
Rebates and Incentives are available in many areas.
 Contact an Atlas Representative for more information.

ATLAS LIGHTING PRODUCTS, INC.

PO BOX 2348 | BURLINGTON, NC 27216
 800-849-8485 | FAX: 336-227-0110 | www.atlaslightingproducts.com

Made in the USA of US and imported parts. Meets Buy American requirements within the ARRA.

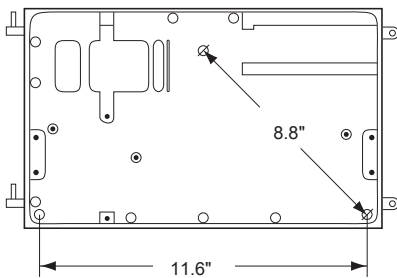
PHOTOMETRIC



ENERGY SAVINGS

LED		HID			ANNUAL SAVINGS
WATTAGE	ANNUAL COST	SOURCE WATTAGE	TOTAL WATTAGE USED	ANNUAL COST	
43	\$19	100	129	\$77	\$58
43	\$19	150	185	\$100	\$81
43	\$19	175	210	\$112	\$93

MOUNTING DETAIL



Atlas Lighting Products

lighting facts[®]

A Program of the U.S. DOE

Light Output (Lumens)	5366
Watts	41.2
Lumens per Watt (Efficacy)	130.2

Color Accuracy Color Rendering Index (CRI)	81
--	-----------

Light Color Correlated Color Temperature (CCT)	4602 (Daylight)
--	------------------------

2700K
3000K
4500K
6500K

All results are according to IESNA LM-79-2008: *Approved Method for the Electrical and Photometric Testing of Solid-State Lighting*. The U.S. Department of Energy (DOE) verifies product test data and results.

Visit www.lightingfacts.com for the *Label Reference Guide*.

Registration Number: PRB4-N4EZ8S (1/28/2016)
Model Number: WLMFC43LED [Upgrade : 1/28/2016]
Type: Luminaire - Area/Roadway