



Wall Light

WLD64LED 64 Watt LED Wall Light



SPECIFICATIONS:

Lumens: 6655
Watts: 62.12
Lumens/Watt: 107.1
CRI: 82.7
CCT: 4578
Lifespan: 200,000+ hrs.¹



Construction:

Rugged Traditional aluminum die cast housing provides proven environmental protection for LED modules. Traditional fixture designs provide a familiar look and standard installation requirements. Retaining this look allows the ability to upgrade fixtures gradually, while retaining the same overall fixture appearance throughout a facility.

Glare Free:

Positioning of the LED modules within the housing result in light directed to desired locations and eliminates offensive light.

Lens:

Lens assembly is designed to provide high efficiency and to target the light where needed to satisfy outdoor lighting requirements.

Positioning of the LEDs (along with Patent Pending thermal management system) results in the light being directed to desired locations eliminating glare and offensive light.

Thermal Management:

Atlas' Patent Pending exclusive Thermal Stacking Technology System™ features a unique internal design that allows for lower operating temperatures which results in a brighter, whiter light, more stable color and longer LED and driver life.

Listings:

Luminaire is certified to cUL and CSA Standards for Wet Locations Lighting Facts Certified DesignLights Consortium qualified luminaire, eligible for rebates from DLC member utilities.

AC Input:

120/208/240/277 V

Driver:

Constant current, Class 2, 120-277 VAC, 50-60 Hz
High Efficiency – min. 84%
0-10 V Dimming

LEDs:

4500K CCT
Epoxy Guard™ protective conformal coated boards

Atlas LEDs provide higher lumen output, greater energy efficiency and more reliable fixture performance. They are tested and binned at 700mA which is the actual operating current used in Atlas LED luminaires, giving a better representation of actual performance.

Testing:

Atlas LED luminaires have been tested by an independent laboratory in accordance with IESNA LM-79 & LM-80, and have received the Department of Energy "Lighting Facts" label.

Warranty: Five-year limited warranty

Installation: Fixture retains the same knock-out sizes and positions as previous models, reducing wiring costs.

Weight: 15.0 lbs.

Photo Control: For factory installed 120V button photo control add suffix PC to part number.

Emergency Back-up²: For factory installed Emergency Back-Up add suffix EB to part number.

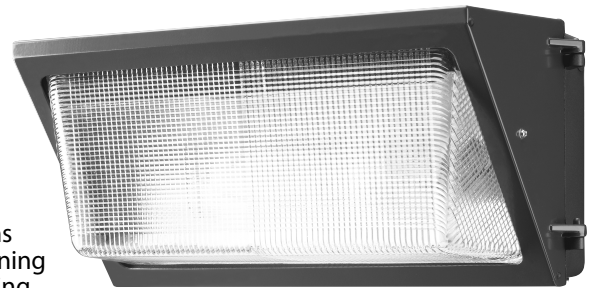
Project Information

Job Name

Fixture Type 64 Watt LED Die Cast Wall Light

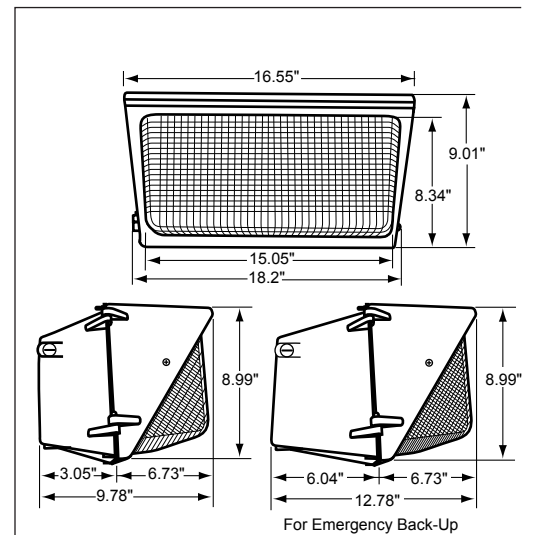
Catalog Number WLD64LED

Approved by



Patent Pending

DIMENSIONS:



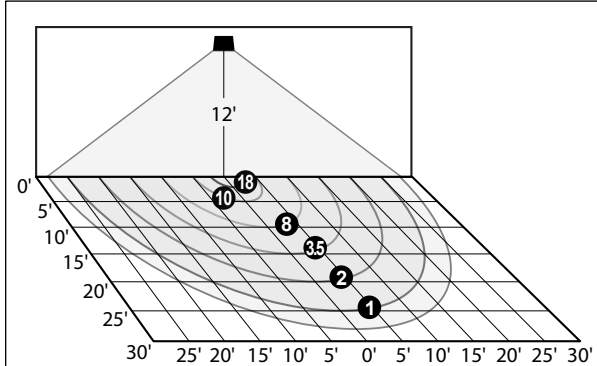
¹LED Life Span Based Upon LM-80 Test Results
²Emergency Back-Up requires larger back housing. Contact Atlas for more details.

ATLAS LIGHTING PRODUCTS, INC.

PO BOX 2348 | BURLINGTON, NC 27216
800-849-8485 | FAX: 336-227-0110 | www.atlaslightingproducts.com

Made in the USA of US and imported parts. Meets Buy American requirements within the ARRA.

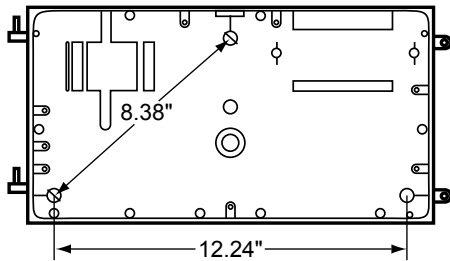
PHOTOMETRIC



ENERGY SAVINGS

LED		HID			ANNUAL SAVINGS
WATTAGE	ANNUAL COST	SOURCE WATTAGE	TOTAL WATTAGE USED	ANNUAL COST	
64	\$28	200	232	\$128	\$100
64	\$28	250	285	\$150	\$122
64	\$28	400	458	\$226	\$198

MOUNTING DETAIL



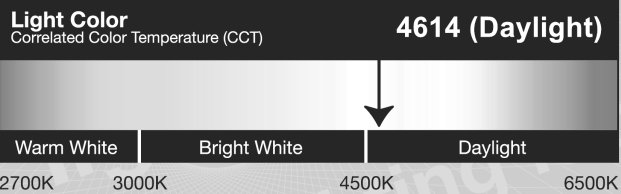
Atlas Lighting Products, Inc.

LED lighting facts®

A Program of the U.S. DOE

Light Output (Lumens)	6966
Watts	62.61
Lumens per Watt (Efficacy)	111.2

Color Accuracy Color Rendering Index (CRI)	82
--	-----------



All results are according to IESNA LM-79-2008: *Approved Method for the Electrical and Photometric Testing of Solid-State Lighting*. The U.S. Department of Energy (DOE) verifies product test data and results.

Visit www.lightingfacts.com for the *Label Reference Guide*.

Registration Number: PRB4-5BMFX6 (8/15/2016)
 Model Number: WLD64LED [Upgrade : 8/15/2016]
 Type: Luminaire - Area/Roadway