



# Wall Light

## WLCFC27LED 27 Watt LED Wall Light



### Project Information

Job Name

Fixture Type 27 Watt LED Compact Wall Light

Catalog Number WLCFC27LED

Approved by

### SPECIFICATIONS:

**Lumens:** 3411

**Watts:** 26.47

**Lumens/Watt:** 128.8

**CRI:** 81.9

**CCT:** 4556

**Lifespan:** 200,000+ hrs.<sup>1</sup>

#### Construction:

Rugged Traditional aluminum die cast housing provides proven environmental protection for LED modules. Traditional fixture design provides a familiar look and standard installation requirements. Retaining this look allows the ability to upgrade fixtures gradually, while retaining the same overall fixture appearance throughout a facility. The smooth housing prevents debris build up and maximizes airflow over housing.

#### Glare Free:

Positioning of the LED modules within the housing result in light directed to desired locations and eliminates offensive light.

#### Thermal Management:

Atlas' Patent Pending exclusive Thermal Stacking Technology System™ features a unique internal design that allows for lower operating temperatures which results in a brighter, whiter light, more stable color and longer LED and driver life.

#### Listings:

Luminaire is certified to UL Standards for Wet Locations

Lighting Facts Certified

DesignLights Consortium Premium qualified luminaire, eligible for rebates from DLC member utilities.

#### AC Input:

120/208/240/277 V

#### Driver:

Constant current, Class 2, 120-277 VAC, 50-60 Hz

High Efficiency – min. 84%

Off-State Power: 0 Watts

0-10 V Dimming

#### LEDs:

4500K CCT

Epoxy Guard™ protective conformal coated boards

Atlas LEDs provide higher lumen output, greater energy efficiency and more reliable fixture performance.

#### Warranty:

Atlas Lighting Products provides a 5 year limited warranty for this product. A full warranty can be found at [www.alpinc.com](http://www.alpinc.com).

#### Testing:

Atlas LED luminaires have been tested by an independent laboratory in accordance with IESNA LM-79 & LM-80, and have received the Department of Energy "Lighting Facts" label.

#### Installation:

Fixture retains the same knock-out sizes and positions as previous models, reducing wiring costs.

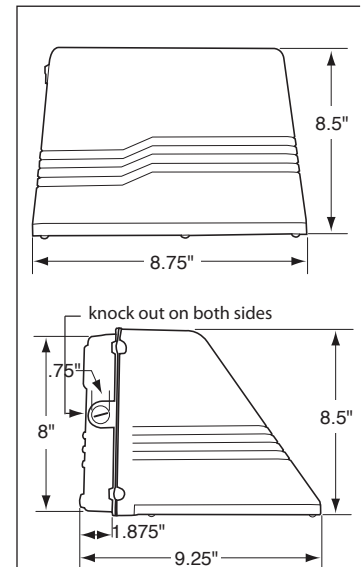
#### Photo Control:

For factory installed 120V button photo control add suffix PC to part number.



Patent Pending

### DIMENSIONS:



<sup>1</sup>LED Life Span Based Upon LM-80 Test Results

**Rebates and Incentives are available in many areas.  
Contact an Atlas Representative for more information.**

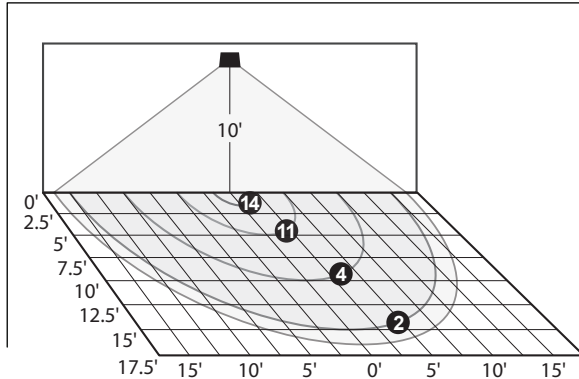
## ATLAS LIGHTING PRODUCTS, INC.

PO BOX 2348 | BURLINGTON, NC 27216

800-849-8485 | FAX: 336-227-0110 | [www.atlaslightingproducts.com](http://www.atlaslightingproducts.com)

Made in the USA of US and imported parts. Meets Buy American requirements within the ARRA.

**PHOTOMETRIC**



**ENERGY SAVINGS**

LED		HID			ANNUAL SAVINGS
WATTAGE	ANNUAL COST	SOURCE WATTAGE	TOTAL WATTAGE USED	ANNUAL COST	
27	\$12	50	72	\$52	\$40
27	\$12	70	90	\$59	\$47
27	\$12	100	129	\$77	\$65

Atlas Lighting Products

**LED** **lighting facts**<sup>®</sup>  
A Program of the U.S. DOE

---

<b>Light Output (Lumens)</b>	<b>3411</b>
<b>Watts</b>	<b>26.47</b>
<b>Lumens per Watt (Efficacy)</b>	<b>128.8</b>

---

<b>Color Accuracy</b> Color Rendering Index (CRI)	<b>81</b>
--	-----------

---

<b>Light Color</b> Correlated Color Temperature (CCT)	<b>4556 (Daylight)</b>
--	------------------------

All results are according to IESNA LM-79-2008: *Approved Method for the Electrical and Photometric Testing of Solid-State Lighting*. The U.S. Department of Energy (DOE) verifies product test data and results.

**Visit [www.lightingfacts.com](http://www.lightingfacts.com) for the *Label Reference Guide*.**

Registration Number: PRB4-7P2X7A (1/28/2016)  
Model Number: WLCFC27LED [Upgrade : 1/28/2016]  
Type: Luminaire - Area/Roadway