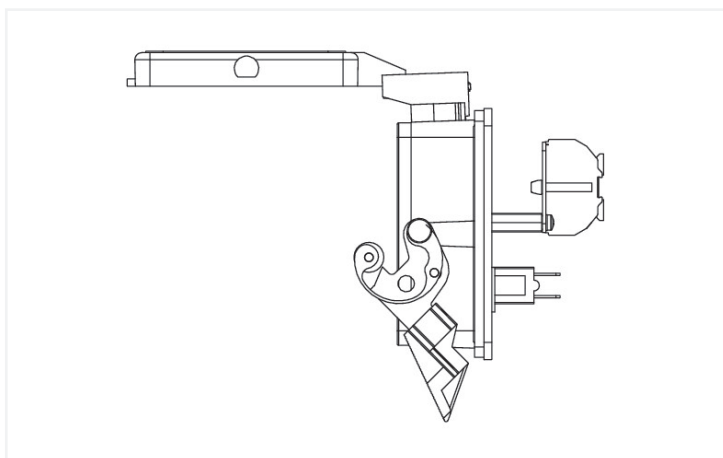
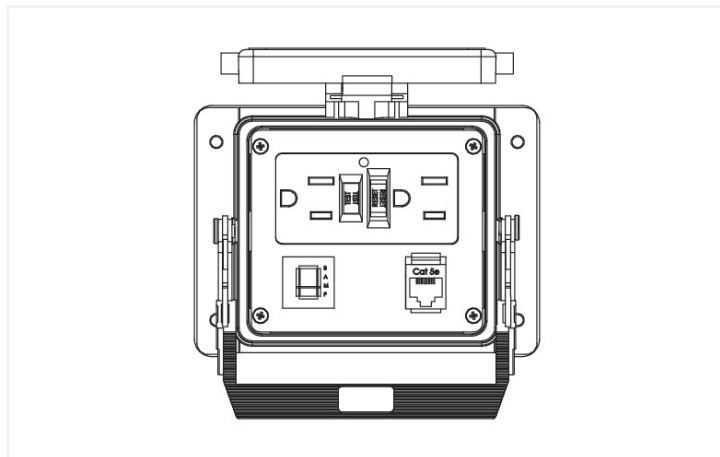


<https://www.wago.com/8000-100/1000-361>



Material data

Fire load	0 MJ
Weight	6.7 g

Commercial data

PU (SPU)	1 pcs
Packaging type	unpacked
GTIN	4055143630269

Environmental Product Compliance

RoHS Compliance Status	Compliant, No Exemption
------------------------	-------------------------

Downloads

Environmental Product Compliance

Compliance Search

Environmental Product
Compliance
8000-100/1000-361

