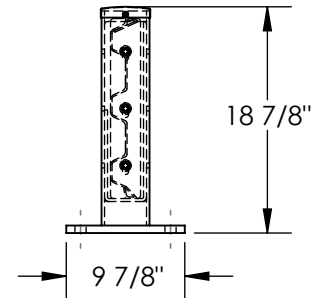
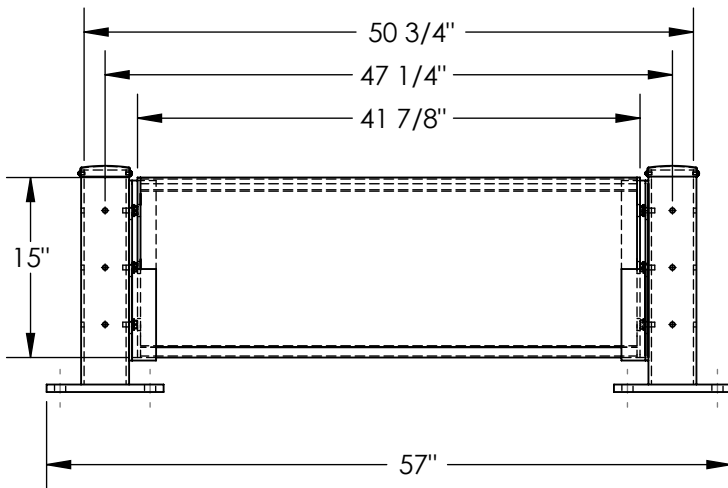
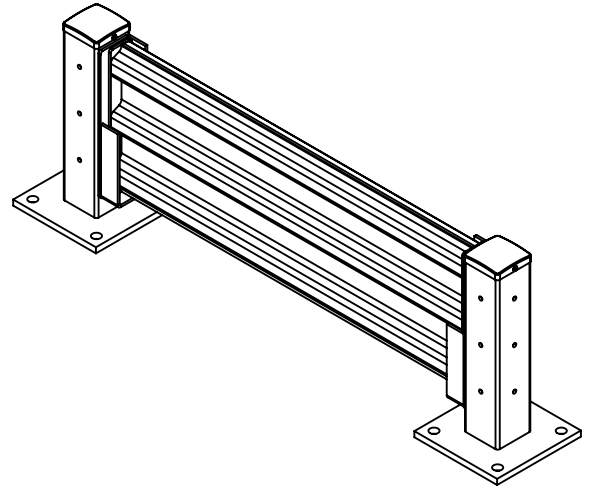
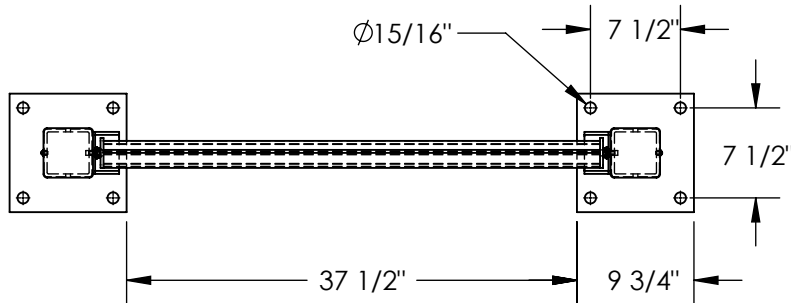


# STRUCTURAL GUARD RAIL: DROP-IN STYLE- YGR-LO-4/YGR-TP18

\*\*\*ANY ADDITIONS, DELETIONS, OR OMISSIONS MUST BE CORRECTED ON THIS DRAWING AS THIS DRAWING WILL BE CONSIDERED ALL INCLUSIVE\*\*\*

APPROX WEIGHT: 126.64 lbs.  
DOES NOT INCLUDE WEIGHT OF POWER OR PACKAGING!!!



**NOTE: GUARD RAILS AND POSTS ARE SOLD SEPERATELY!**

ALL GRAPHICS PROVIDED ARE FOR REFERENCE ONLY. IF CERTAIN DIMENSIONS ARE CRITICAL PLEASE VERIFY THOSE DIMENSIONS WITH YOUR SALESPERSON

DIMENSION TOLERANCE  $\pm 1/4"$

## STANDARD FEATURES

- MODEL NUMBER IS YGR-LO-4/YGR-TP18
- OVERALL WIDTH IS: 57"
- OVERALL LENGTH IS: 9 7/8"
- OVERALL HEIGHT IS: 18 7/8"
- GUARD RAIL LENGTH IS: 41 7/8"
- GUARD RAIL HEIGHT IS: 15"
- DROP-IN STYLE PROVIDES EASY ACCESSIBILITY
- YELLOW POWDERCOAT FINISH
- CONCRETE MOUNTING KIT AVAILABLE SEPERATELY

## SPECIAL FEATURES

NONE

<b>APPROVAL</b>	I, THE UNDERSIGNED, AGREE THAT THE PRODUCT AS REPRESENTED SATISFIES DESIGN AND DIMENSION REQUIREMENTS. I ALSO ACKNOWLEDGE MY DUTY TO CONFIRM PRODUCT AND INSTALLATION COMPLIANCE WITH ALL APPLICABLE FEDERAL, STATE AND LOCAL REGULATIONS AND STANDARDS.	
	<b>ALL SPECIAL UNITS ARE NON-RETURNABLE</b> [ ] As drawn [ ] As marked	
Signed: _____		Date: _____
LEAD TIME WILL START UPON RECEIPT OF SIGNED APPROVAL DRAWING		

DISTRIBUTOR'S NAME: VESTIL MANUFACTURING		P.O.# X
DRAWN BY: TJM		W.O.# X
DATE: 06/22/09	SALES: X	FILE NAME:
REFERENCE: X	SCALE: 1:16	23-007-280
QUOTED LEAD TIME: X	QUOTE # X	