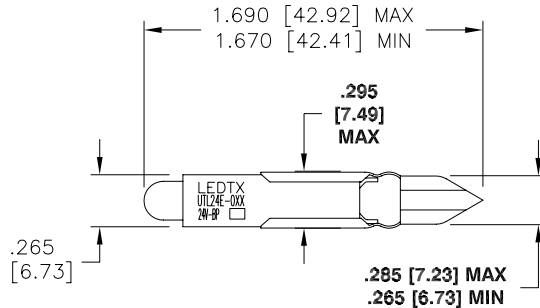


LTR	REVISION	DATE	APPD
-	RELEASED	10-19-09	



**NOTES:**

1. ALL PARTS WITH (\*) ARE RoHS CERTIFIED.
2. SLEEVE MATERIAL: EPOXY
3. BASE MATERIAL: (INSULATOR) PLASTIC  
(BARREL) NICKEL PLATED BRASS



UTL24E-0AG*	AQUA GREEN	24V-BP	13	525	*
UTL24E-0CW*	COOL WHITE	24V-BP	13	8000K	*
UTL24E-0IW	WARM WHITE	24V-BP	13	3000K	
UTL24E-0UO	SUPER ORANGE	24V-BP	17	610	
UTL24E-0UR*	ULTRA RED	24V-BP	17	660	*
UTL24E-0UY	SUPER YELLOW	24V-BP	17	595	
LEDTRONICS PART NO.	COLOR EMITTED	SET VOLTS	READ mA typ	λP nm	
ELECTRICAL TEST					

REVISION NOTIFICATION	
<input type="checkbox"/>	PMA
<input type="checkbox"/>	UL
<input type="checkbox"/>	CUSTOMER _____
<input type="checkbox"/>	OTHER

**LED**<sup>®</sup>  
LEDTRONICS,™ INC.  
23105 KASHIWA COURT  
TORRANCE, CA 90505

**-PROPRIETARY-**  
This document contains Proprietary information of LEDTRONICS,™ INC. It may not be copied, used or disclosed for any purpose without the prior express written consent of LEDTRONICS,™ INC.  
TOLERANCE PER ANSI-Y14.5 (UNLESS OTHERWISE STATED)  
.XXX ± .010  
.XX ± .025  
ANGLES ± 0°,30'  
FRACT. ± 1/32

TITLE					
<b>UTL24E-0XX</b>					
DWG NO	SCALE	SHEET	DATE		
UTL24E2	1:1	1 OF 1	10-19-09		
CODE IDENT NO.	DWG BY	CHK BY	QA	MFG	R&D
8Z410	MM 10-19-09	PL 10-23-09	CH 10-21-09	LD 10-21-09	