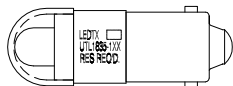
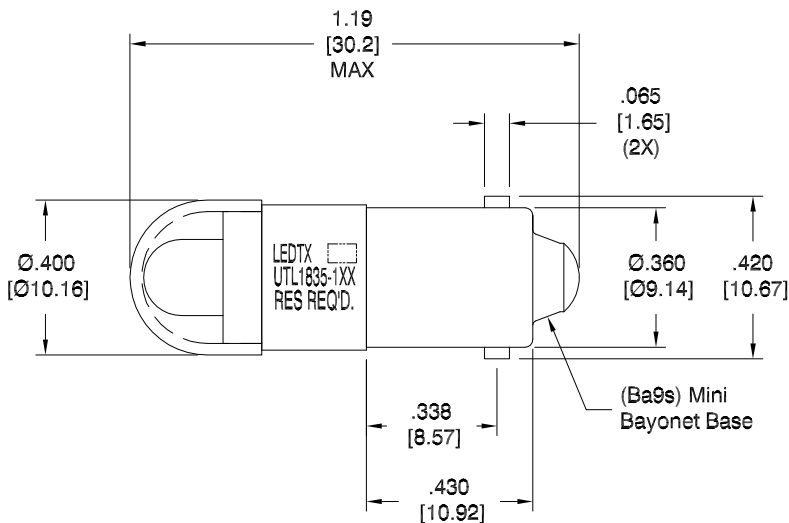


LTR	REVISION	DATE	APPD
-	RELEASED (REF. ECR#052518-GP01)	07-11-18	



ACTUAL SIZE



NOTES:

1. ALL DIMENSIONS ARE IN INCHES [MILLIMETERS].
2. LENS MATERIAL / COLOR: POLYCARBONATE-UV STABILIZED. (UL94V-2) / CLEAR
3. SLEEVE MATERIAL: GENERAL POLYMERS RYNITE FR530 (UL 94HB)
4. BASE MATERIAL: (BODY) BRASS & NICKEL PLATED BRASS (BARREL)

**FULL BEAM WIDTH @ 50% INTENSITY

REVISION NOTIFICATION	
<input type="checkbox"/>	DLC
<input type="checkbox"/>	UL/ETL
<input type="checkbox"/>	MADE IN USA
<input type="checkbox"/>	CUSTOMER _____
<input type="checkbox"/>	OTHER _____
REDLINE CHECKLIST	
<input type="checkbox"/>	REDLINE(YES)
<input type="checkbox"/>	DATE: _____
<input type="checkbox"/>	INITIATED BY: _____
<input type="checkbox"/>	ECR REQUIRED YES <input type="checkbox"/> NO <input type="checkbox"/>
<input type="checkbox"/>	WORK ORDER# _____

ELECTRICAL - OPTICAL CHARACTERISTICS (Ta = 25°C)

UTL1835-1AG	AQUA GREEN	0.080 A	5.2Vf	0.42 W	11.000cd	522nm	26°
UTL1835-1CW	COOL WHITE	0.080 A	4.8Vf	0.38 W	18.000cd	8000K	30°
UTL1835-1IW	WARM WHITE	0.080 A	5.0Vf	0.40 W	8.000cd	3000K	37°
UTL1835-1UB	SUPER BLUE	0.080 A	5.0Vf	0.40 W	3.000cd	463nm	25°
UTL1835-1UO	SUPER ORANGE	0.080 A	3.8Vf	0.30 W	2.300cd	610nm	30°
UTL1835-1UR	SUPER RED	0.080 A	3.7Vf	0.30 W	3.000cd	633nm	25°
UTL1835-1UY	SUPER YELLOW	0.080 A	3.7Vf	0.30 W	5.200cd	593nm	20°
LEDTRONICS PART NO.	COLOR EMITTED	SET (A)	READ Vf	POWER (W)	MAXIMUM CANDELA	VIEWING ANGLE**	
						λ P nm	COLOR TEMP. (K)

LED[®]
LEDTRONICS,™ INC.
 23105 KASHIWA COURT
 TORRANCE, CA 90505

-PROPRIETARY-
 This document contains Proprietary information of LEDTRONICS,™ INC. It may not be copied, used or disclosed for any purpose without the prior express written consent of LEDTRONICS,™ INC.

.XXX ± .010 TOLERANCE PER ANSI-Y14.5
 .XX ± .025 (UNLESS OTHERWISE STATED)
 ANGLES ± 0°,30'
 FRACT. ± 1/32

TITLE							
UTL1835-1XX							
DWG NO	SCALE	SHEET	DATE				
UTL18351-CUST	2:1	1 OF 1	07-11-18				
CODE IDENT NO.	DWG BY GP	CHK BY	QA EE	MFG LD	R&D LUV		
8Z410	07-11-18		08-08-18	08-08-18	08-08-18		