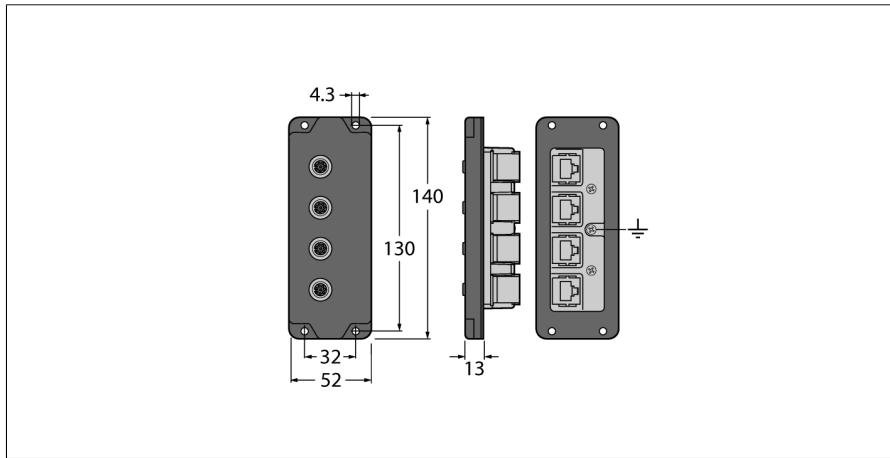


# Accessories for Fieldbus Systems

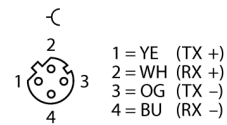
## Wall/panel feed-through

### BIC-44-E424



- For Industrial Ethernet
- RJ45 on M12 × 1, 4-port
- 4-pin
- Voltage: 125 V
- Ampacity: 1.5 A
- Temperature: -30 °C...+75 °C
- D-coding
- Protection class: IP20/67

#### M12 × 1



<b>Type designation</b>	BIC-44-E424
Ident-No.	U3-00003
<b>Housing</b>	Plastic, PA, Black
<b>Connector A</b>	Female, M12 × 1, Straight
Number of contacts	4
Contacts	Metal, CuZn, Gold-plated
Contact carriers	Plastic, PA 12 GF, Black
Mechanical life	> 100 Mating cycles
Pollution degree	3
Protection class	When coupled - IP67, (plugged)
<b>Connector B</b>	Female, RJ45
Number of contacts	8
Contacts	Metal, CuZn, Gold-plated
Protection class	When coupled - IP20
<b>Rated voltage</b>	125V
Current	1.5 A
<b>Ambient temperature</b>	
Temperature range (static)	-40...+80°C

#### RJ45

