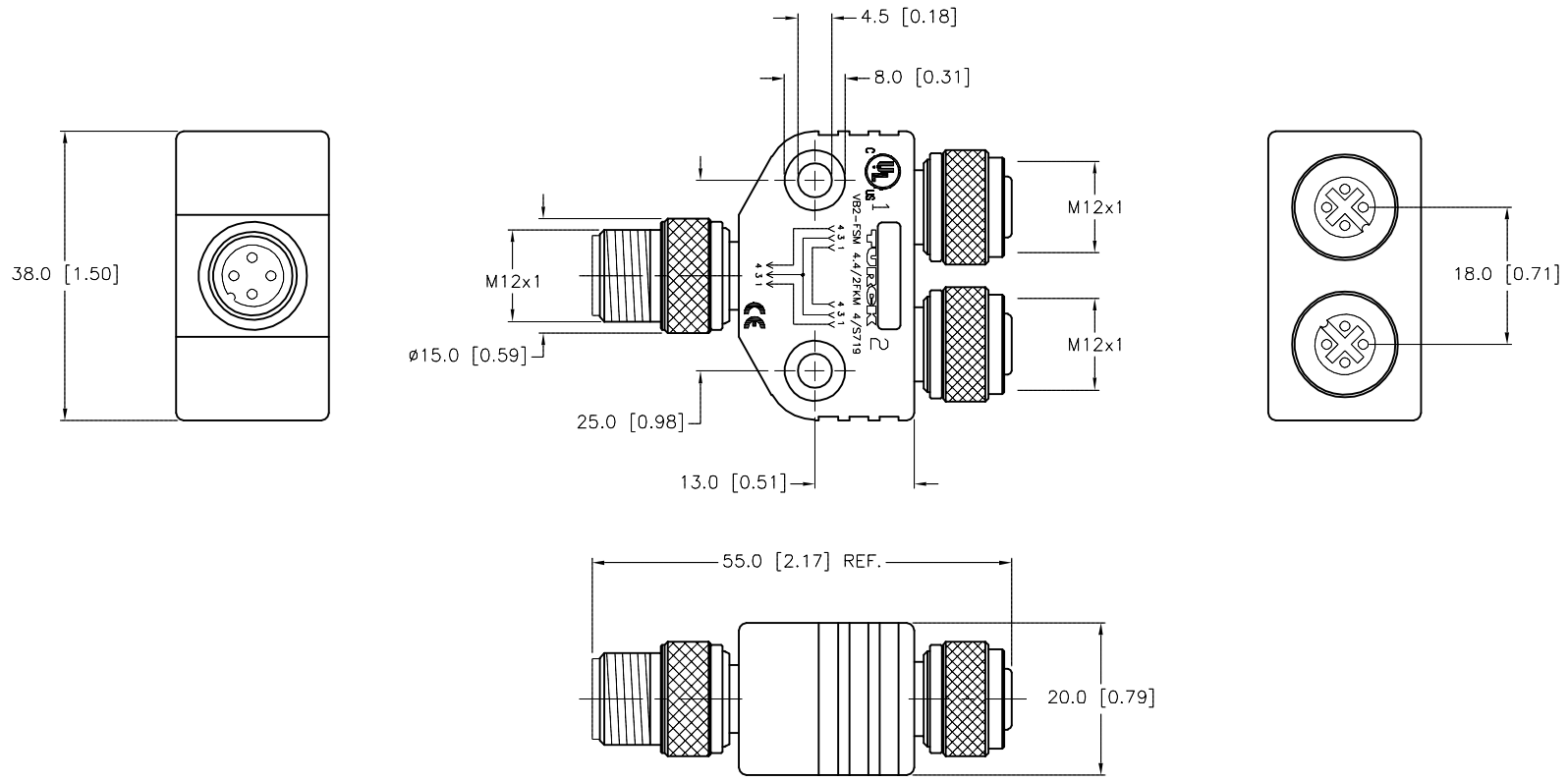


| FEMALE END VIEW | MALE END VIEW | WIRING DIAGRAM | SPECIFICATIONS | |
|-----------------|---------------|----------------|-------------------------------|-----------------------------------|
| | | | CONTACT CARRIER MATERIAL | NYLON OR TPU |
| | | | MOLDED HEAD MATERIAL/COLOR | TPU/YELLOW |
| | | | CONTACT MATERIAL/PLATING | BRASS/GOLD |
| | | | COUPLING NUT MATERIAL/PLATING | BRASS/NICKEL |
| | | | RATED CURRENT [A] | 4.0 A |
| | | | RATED VOLTAGE [V] | 250 V |
| | | | TEMPERATURE RATING | -40°C to +105°C (-40°F to +221°F) |
| | | | PROTECTION CLASS | MEETS NEMA 1,3,4,6P AND IEC IP67 |



SOURCE DRAWING - FOR REFERENCE ONLY

NOTES:
1. "/S719" DESIGNATES SERIES WIRING.

| | | | | | | |
|---|--------------------------|--|--------------------|--|--------------|--|
| RELATED DOCUMENTS 1. 2. 3. 4. | 3RD ANGLE PROJECTION | THIS DRAWING IS CONFIDENTIAL AND THE PROPERTY OF TURCK INC. USE OF THIS DOCUMENT WITHOUT WRITTEN PERMISSION IS PROHIBITED. | | 3000 CAMPUS DRIVE MINNEAPOLIS, MN 55441 1-800-544-7769 (763) 553-7300 (763) 553-0708 fax www.turck.us | | |
| | | DRFT | RDS | DATE | 03/06/07 | DESCRIPTION VB2-FSM 4.4/2FKM 4/S719 |
| | | APVD | | SCALE | 1=1.0 | |
| | | MATERIAL | SEE SPECIFICATIONS | UNIT OF MEASUREMENT | | IDENTIFICATION NO. |
| FINISH | SEE SPECIFICATIONS | MILLIMETER [INCH] | | U0100-1 | E | |
| CONTACT TURCK FOR MORE INFORMATION | | DO NOT SCALE THIS DRAWING | | FILE: U0100-1 | SHEET 1 OF 1 | |

| | | | | |
|-----|---------------|----|----------|---------|
| E | UPDATE CLICHE | TR | 08/29/18 | 65811 |
| REV | DESCRIPTION | BY | DATE | ECO NO. |