

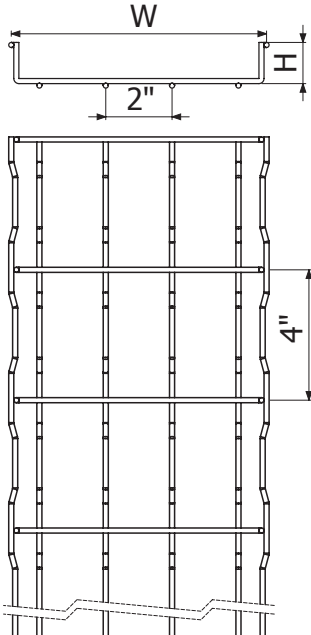
WIRE BASKET TRAYS

Specification Sheets

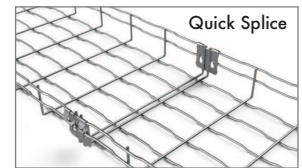
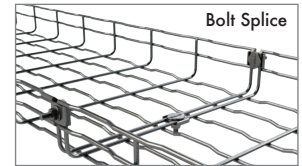
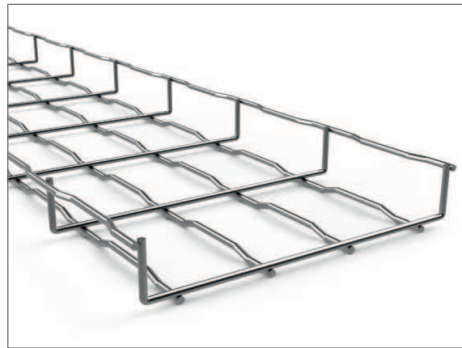
Basorfil

Specification Sheet

BASORFIL BFR-H1.5"



- 1.5" tray depth
- Field modify tray with bolt cutters
- Wave wire profile reduces tray twisting
- Use a Bolt-Staple Set or Quick Splice to splice tray sections



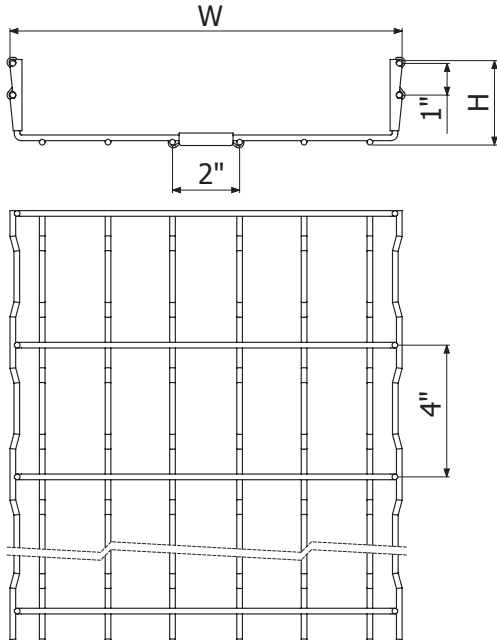
DESCRIPTION	HEIGHT (H)		WIDTH (W)		LENGTH (L)		Ref.			
	in	mm	in	mm	ft	m	ZN	GC	i304	i316
BFR - 4"x1.5"	1.5"	35	4"	100	10'	3	2/3616	2/0286	2/0303	2/7415
BFR - 6"x1.5"	1.5"	35	6"	150	10'	3	2/3617	2/0287	2/0304	2/7416
BFR - 8"x1.5"	1.5"	35	8"	200	10'	3	2/3618	2/0288	2/0305	2/7417
BFR - 12"x1.5"	1.5"	35	12"	300	10'	3	2/3619	2/0289	2/0306	2/7418

DESCRIPTION	TRAY FILL		SAFE WORKING LOAD							
			SUPPORTING SPACE		ZN		GC		i304/i316	
	in ²	cm ²	ft	m	lbs/ft	kg/m	lbs/ft	kg/m	lbs/ft	kg/m
BFR - 4"x1.5"	4.18	270	5'	1.5	12	18	12	18	17	25
BFR - 6"x1.5"	6.51	420	5'	1.5	12	18	12	18	17	25
BFR - 8"x1.5"	8.99	580	5'	1.5	12	18	12	18	17	25
BFR - 12"x1.5"	13.8	890	5'	1.5	12	18	12	18	17	25

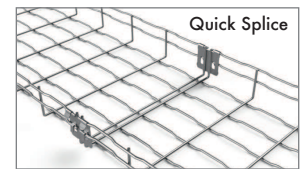
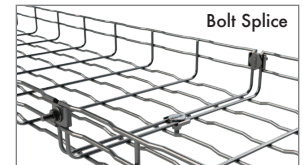
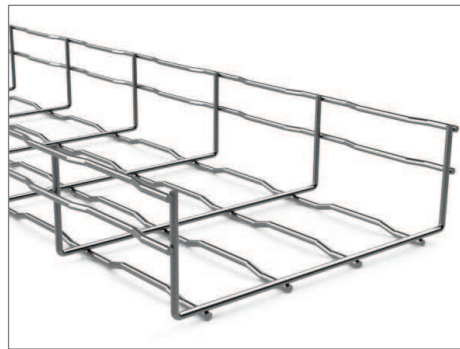
ZN – Electrozinc Coating GC – Hot Dip Galvanized Steel i304/i316 – Stainless Steel AISI i304/i316

Specification Sheet

BASORFIL BFR-H2"



- 2" tray depth
- Field modify tray with a bolt cutters
- Wave wire profile reduces tray twisting
- Use a Bolt-Staple Set or Quick Splice to splice tray sections



DESCRIPTION	HEIGHT (H)		WIDTH (W)		LENGTH (L)		Ref.		
	in	mm	in	mm	ft	m	GC	i304	i316
BFR 2"x2"	2"	65	2"	60	10'	3	2/0290	2/0307	2/7419
BFR 4"x2"	2"	65	4"	100	10'	3	2/0291	2/0308	2/7420
BFR 6"x2"	2"	65	6"	150	10'	3	2/0292	2/0309	2/7421
BFR 8"x2"	2"	65	8"	200	10'	3	2/0293	2/0310	2/7422
BFR 12"x2"	2"	65	12"	300	10'	3	2/0294	2/0311	2/7423
BFR 16"x2"	2"	65	16"	400	10'	3	2/0295	2/0312	2/7424
BFR 18"x2"	2"	65	18"	450	10'	3	2/4957	-	-
BFR 20"x2"	2"	65	20"	500	10'	3	2/0296	2/0313	2/7425
BFR 24"x2"	2"	65	24"	600	10'	3	2/0297	2/0314	2/7426

*measurement is nominal

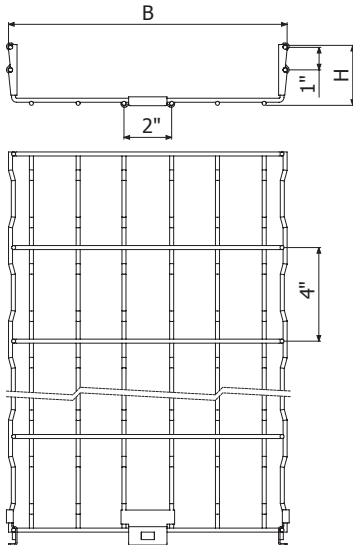
DESCRIPTION	TRAY FILL		SAFE WORKING LOAD					
	in ²	cm ²	SUPPORTING SPACE		GC		i304/i316	
			ft	m	lbs/ft	kg/m	lbs/ft	kg/m
BFR 2"x2"	3.57	23	5'	1.5	15	23	21	32
BFR 4"x2"	7.29	47	5'	1.5	30	45	38	57
BFR 6"x2"	11.63	75	5'	1.5	30	45	38	57
BFR 8"x2"	15.81	102	5'	1.5	30	45	38	57
BFR 12"x2"	24.34	157	5'	1.5	30	45	38	57
BFR 16"x2"	32.86	212	5'	1.5	30	45	38	57
BFR 18"x2"	41.39	267	5'	1.5	37	55	-	-
BFR 20"x2"	41.39	267	5'	1.5	37	55	43	65
BFR 24"x2"	49.91	322	5'	1.5	37	55	43	65

GC - Hot Dip Galvanized Steel

i304/i316 - Stainless Steel AISI i304/i316

Specification Sheet

BASORFIL BF2R-H2"



- 2" tray depth
- Electrozinc finish only
- Field modify tray with a bolt cutters
- Wave wire profile reduces tray twisting
- Splices are pre-installed



DESCRIPTION	HEIGHT (H)		WIDTH (W)		LENGTH (L)		Ref.				
	in*	mm	in	mm	ft	m	ZN	Black	White	Red	Yellow
BF2R 2"x2"	2"	65	2"	60	10'	3	2/7389	U/0299	U/0600	U/0400	U/0500
BF2R 4"x2"	2"	65	4"	100	10'	3	2/7248	U/0300	U/0601	U/0401	U/0501
BF2R 6"x2"	2"	65	6"	150	10'	3	2/7249	U/0301	U/0602	U/0402	U/0502
BF2R 8"x2"	2"	65	8"	200	10'	3	2/7250	U/0302	U/0603	U/0403	U/0503
BF2R 12"x2"	2"	65	12"	300	10'	3	2/7251	U/0303	U/0604	U/0404	U/0504
BF2R 16"x2"	2"	65	16"	400	10'	3	2/7394	U/0304	U/0605	U/0405	U/0505
BF2R 18"x2"	2"	65	18"	450	10'	3	2/9989	U/0305	U/0606	U/0406	U/0506
BF2R 20"x2"	2"	65	20"	500	10'	3	2/7395	U/0306	U/0607	U/0407	U/0507
BF2R 24"x2"	2"	65	24"	600	10'	3	2/7396	U/0307	U/0608	U/0408	U/0508

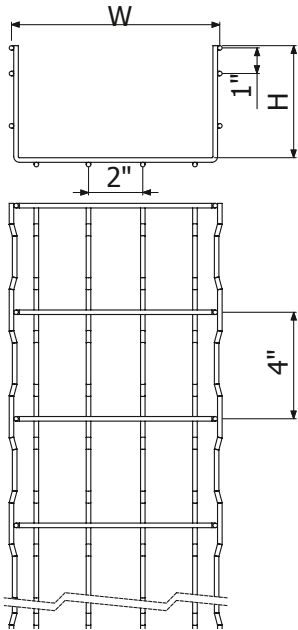
*measurement is nominal

DESCRIPTION	TRAY FILL		SAFE WORKING LOAD				
			SUPPORTING SPACE		ZN		CENTER SPLICE
	in ²	cm ²	ft	m	lbs/ft	kg/m	units
BF2R 2"x2"	3.57	23	5'	1.5	15	23	0
BF2R 4"x2"	7.29	47	5'	1.5	30	45	0
BF2R 6"x2"	11.63	75	5'	1.5	30	45	0
BF2R 8"x2"	15.81	102	5'	1.5	30	45	0
BF2R 12"x2"	24.34	157	5'	1.5	30	45	1
BF2R 16"x2"	32.86	212	5'	1.5	30	45	1
BF2R 18"x2"	41.39	267	5'	1.5	37	55	2
BF2R 20"x2"	41.39	267	5'	1.5	37	55	2
BF2R 24"x2"	49.91	322	5'	1.5	37	55	2

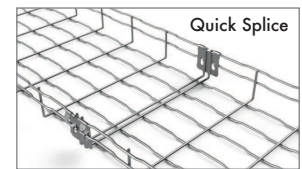
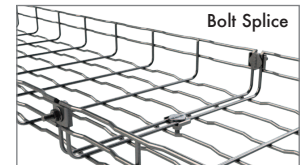
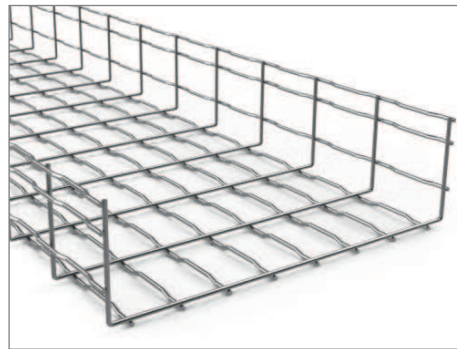
ZN – Electrozinc Coating

Specification Sheet

BASORFIL BFR-H4"



- 4" tray depth
- Field modify tray with a bolt cutters
- Wave wire profile reduces tray twisting
- Use a Bolt-Staple Set or Quick Splice to splice tray sections



DESCRIPTION	HEIGHT (H)		WIDTH (W)		LENGTH (L)		Ref.		
	in	mm	in	mm	ft	m	GC	i304	i316
BFR 8"x4"	4"	105	8"	200	10'	3	2/0298	2/0315	2/7427
BFR 12"x4"	4"	105	12"	300	10'	3	2/0299	2/0316	2/7428
BFR 16"x4"	4"	105	16"	400	10'	3	2/0300	2/0317	2/7429
BFR 18"x4"	4"	105	18"	450	10'	3	2/9548	-	-
BFR 20"x4"	4"	105	20"	500	10'	3	2/0301	2/0318	2/7430
BFR 24"x4"	4"	105	24"	600	10'	3	2/0302	2/0319	2/7431

*measurement is nominal

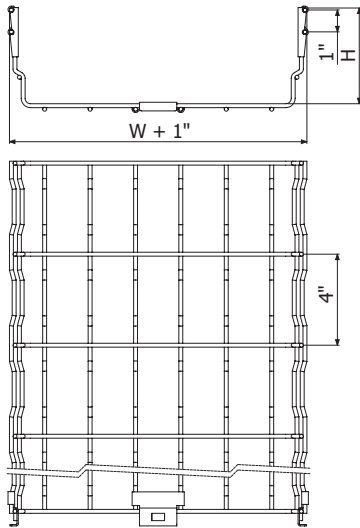
DESCRIPTION	TRAY FILL		SAFE WORKING LOAD					
			SUPPORTING SPACE		GC		i304/i316	
	in ²	cm ²	ft	m	lbs/ft	kg/m	lbs/ft	kg/m
BFR 8"x4"	29.92	193.03	5'	1.5	40	60	51	76
BFR 12"x4"	46.04	297.03	5'	1.5	40	60	51	76
BFR 16"x4"	62.16	401.03	5'	1.5	47	70	55	83
BFR 18"x4"	69.05	445.59	5'	1.5	47	70	55	83
BFR 20"x4"	78.28	505.03	5'	1.5	47	70	55	83
BFR 24"x4"	94.40	609.03	5'	1.5	47	70	55	83

GC – Hot Dip Galvanized Steel

i304/i316 – Stainless Steel AISI i304/i316

Specification Sheet

BASORFIL BF2R-H4"



- 4" tray depth
- Electrozinc and painted tray finish options
- Field modify tray with a bolt cutters
- Wave wire profile reduces tray twisting
- Splices are pre-installed



DESCRIPTION	HEIGHT (H)		WIDTH (W)		LENGTH (L)		Ref.				
	in*	mm	in	mm	ft	m	ZN	Black	White	Red	Yellow
BF2R 4"x4"	4"	105	4"	100	10'	3	2/7914	U/0308	U/0609	U/0409	U/0509
BF2R 6"x4"	4"	105	6"	150	10'	3	2/7915	U/0309	U/0610	U/0410	U/0510
BF2R 8"x4"	4"	105	8"	200	10'	3	2/7397	U/0310	U/0611	U/0411	U/0511
BF2R 12"x4"	4"	105	12"	300	10'	3	2/7398	U/0311	U/0612	U/0412	U/0512
BF2R 16"x4"	4"	105	16"	400	10'	3	2/7399	U/0312	U/0613	U/0413	U/0513
BF2R 18"x4"	4"	105	18"	450	10'	3	2/9990	U/0313	U/0614	U/0414	U/0514
BF2R 20"x4"	4"	105	20"	500	10'	3	2/7400	U/0314	U/0615	U/0415	U/0515
BF2R 24"x4"	4"	105	24"	600	10'	3	2/7401	U/0315	U/0616	U/0416	U/0516

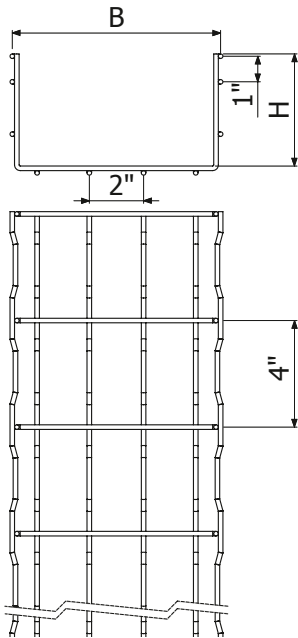
*measurement is nominal

DESCRIPTION	TRAY FILL		SAFE WORKING LOAD				
	in ²	cm ²	SUPPORTING SPACE		ZN		CENTER SPLICE
			ft	m	lbs/ft	kg/m	units
BF2R 4"x4"	14.42	93	5'	1.5	30	45	0
BF2R 6"x4"	21.63	139.5	5'	1.5	30	45	0
BF2R 8"x4"	28.83	186	5'	1.5	40	60	0
BF2R 12"x4"	45.11	291.03	5'	1.5	40	60	1
BF2R 16"x4"	61.38	396	5'	1.5	47	70	1
BF2R 18"x4"	67.77	436.55	5'	1.5	47	70	-
BF2R 20"x4"	77.66	501.03	5'	1.5	47	70	2
BF2R 24"x4"	93.93	606	5'	1.5	47	70	2

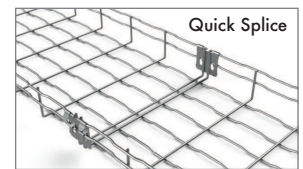
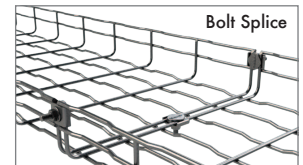
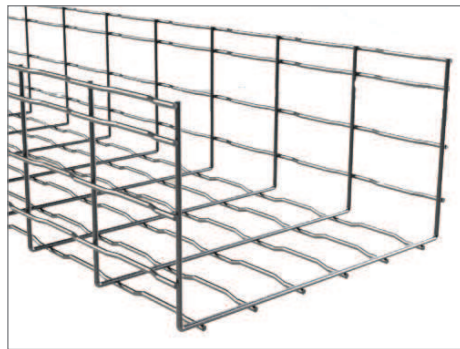
ZN – Electrozinc Coating

Specification Sheet

BASORFIL BFR-H6"



- 6" tray depth
- Field modify tray with a bolt cutters
- Wave wire profile reduces tray twisting
- Use a Bolt-Staple Set or Quick Splice to splice tray sections



DESCRIPTION	HEIGHT (H)		WIDTH (W)		LENGTH (L)		Ref.							
	in	mm	in	mm	ft	m	ZN	GC	i304	i316	Black	White	Red	Yellow
BFR 8"x6"	6"	150	8"	200	10'	3	2/9549	2/9554	UR	UR	U/0316	U/0617	U/0417	U/0517
BFR 12"x6"	6"	150	12"	300	10'	3	2/9550	2/9555	UR	UR	U/0317	U/0618	U/0418	U/0518
BFR 16"x6"	6"	150	16"	400	10'	3	2/9551	2/9556	UR	UR	U/0318	U/0619	U/0419	U/0519
BFR 18"x6"	6"	150	18"	450	10'	3	2/9991	-	UR	UR	U/0319	U/0620	U/0420	U/0520
BFR 20"x6"	6"	150	20"	500	10'	3	2/9552	2/9557	UR	UR	U/0320	U/0621	U/0421	U/0521
BFR 24"x6"	6"	150	24"	600	10'	3	2/9553	2/9558	UR	UR	U/0321	U/0622	U/0422	U/0522

*measurement is nominal

DESCRIPTION	TRAY FILL		SAFE WORKING LOAD							
	in ²	cm ²	SUPPORTING SPACE		ZN		GC		i304/i316	
			ft	m	lbs/ft	kg/m	lbs/ft	kg/m	lbs/ft	kg/m
BFR 8"x6"	44.33	1125.98	5'	1.5	49	73	49	73	51	76
BFR 12"x6"	68.20	1732.28	5'	1.5	49	73	49	73	51	76
BFR 16"x6"	92.07	2338.58	5'	1.5	58	86	58	86	55	83
BFR 20"x6"	115.94	2944.88	5'	1.5	58	86	58	86	55	83
BFR 24"x6"	139.81	3551.17	5'	1.5	58	86	58	86	-	-

ZN – Electrozinc Coating

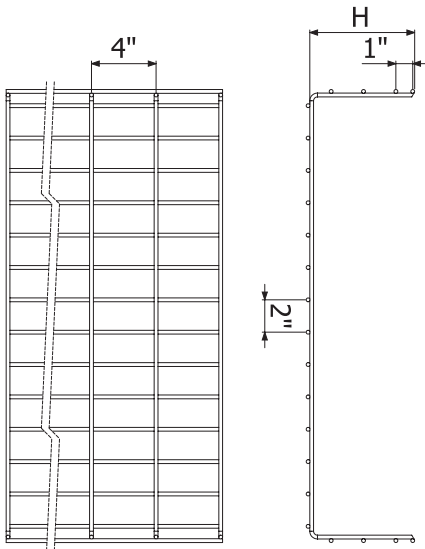
GC – Hot Dip Galvanized Steel

i304/i316 – Stainless Steel AISI i304/i316

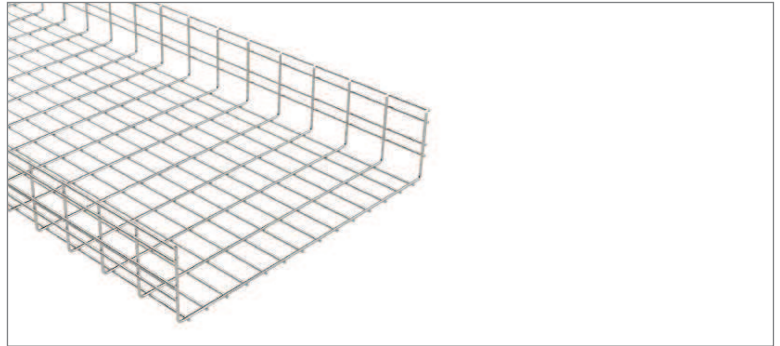
Specification Sheet

BF

3E Basor
CABLE TRAY SPECIALIST



• Length = 10FT / 3M

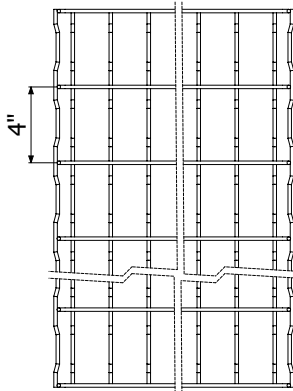
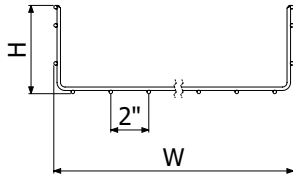


DESCRIPTION	WIDTH (W)		WEIGHT		Ref.		
	in	mm	lbs/unit	kg/ud	EZ	Black	White
Wire Mesh Cable Tray BF 28"x6" EZ	28	711.2	36.24	16.45	2/18784	Upon Request	Upon Request
Wire Mesh Cable Tray BF 36"x2" EZ	36	914.4	42.92	19.50	2/18785		
Wire Mesh Cable Tray BF 36"x4" EZ	36	914.4	42.92	19.50	2/18786		
Wire Mesh Cable Tray BF 36"x6" EZ	36	914.4	42.92	19.50	2/18787		

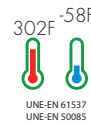
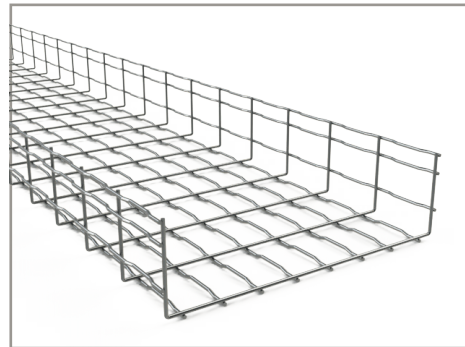
Specification Sheet

BASORFIL BFRK H2"/4"/6"

3E Basor
CABLE TRAY SPECIALIST



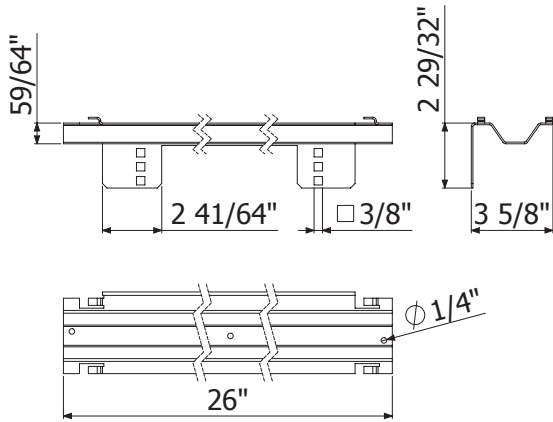
- 2" / 4" / 6" tray Depth
- 4" .. 24" tray width
- 10 ft tray length
- Wire-mesh trays for extra heavy duty applications
- ØLongitudinal wire 6 mm
- ØRib wire 5 mm



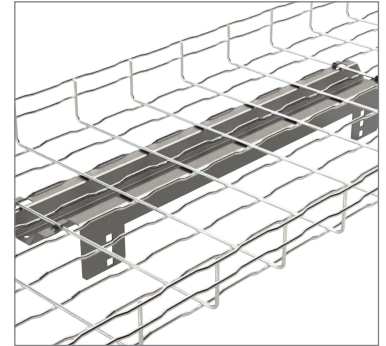
DESCRIPTION	HEIGHT (H)		WIDTH (W)		LENGTH (L)		Ref.	Ref.
	in	mm	in	mm	ft	m	EZ	NEMA
BFRK 12"x2"	2	65	12	300	10	3	U/2000	8A
BFRK 16"x2"	2	65	16	400	10	3	U/2001	8A
BFRK 20"x2"	2	65	20	500	10	3	U/2002	8A
BFRK 24"x2"	2	65	24	600	10	3	U/2003	8A
BFRK 8"x4"	4	105	8	200	10	3	U/2004	8A
BFRK 12"x4"	4	105	12	300	10	3	U/2005	8A
BFRK 16"x4"	4	105	16	400	10	3	U/2006	8A
BFRK 20"x4"	4	105	20	500	10	3	U/2007	8A
BFRK 24"x4"	4	105	24	600	10	3	U/2008	8A
BFRK 8"x6"	6	155	8	200	10	3	U/2009	8A
BFRK 12"x6"	6	155	12	300	10	3	U/2010	8A
BFRK 16"x6"	6	155	16	400	10	3	U/2011	8A
BFRK 20"x6"	6	155	20	500	10	3	U/2012	8A
BFRK 24"x6"	6	155	24	600	10	3	U/2013	8A

Specification Sheet

1U SWITCH SUPPORT

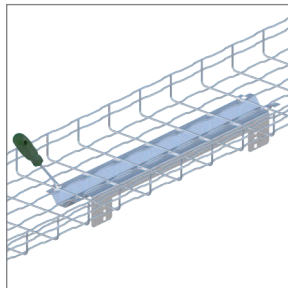
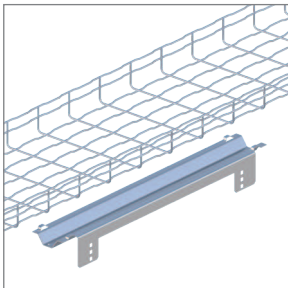


- No nuts or bolts required for attachment.



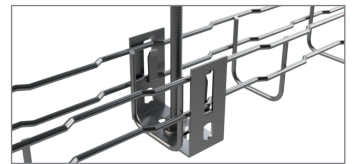
DESCRIPTION	WEIGHT		Ref.
	lbs/unit	kg/ud	PG
1U Switch Support	2.85	1.30	U/0035

MOUNTING



2" TRAY STAND OFF/SUPPORT

- Use to support 2"x 2" Basorfil tray for wall and ceiling hanging



DESCRIPTION	Ref.
P-S-2"x2"	i304 2/7304

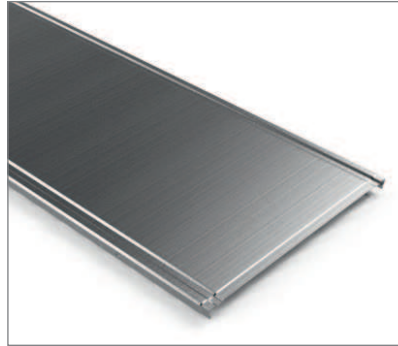
i304 – Stainless Steel AISI i304

Specification Sheet

COVER FOR BFR/BF2R H2"



- Use with ERE BFR and BF2R H2" Basorfil tray
- Use PTBFR Hold Down Clips to attach covers
- Covers are 5' in length



DESCRIPTION	WIDTH (W)		Ref.						
	in	mm	ZN	GC	i304	Black	White	Red	Yellow
Cover BFR for Basket Tray 4"	4"	100	2/1312	2/1321	2/4560	U/1313	U/1605	U/1404	U/1504
Cover BFR for Basket Tray 6"	6"	150	2/1313	2/1322	2/5123	U/1314	U/1606	U/1405	U/1505
Cover BFR for Basket Tray 8"	8"	200	2/1314	2/1323	2/4561	U/1315	U/1607	U/1406	U/1506
Cover BFR for Basket Tray 12"	12"	300	2/1316	2/1325	2/4716	U/1316	U/1608	U/1407	U/1507
Cover BFR for Basket Tray 16"	16"	400	2/1317	2/1326	2/4931	U/1317	U/1609	U/1408	U/1508
Cover BFR for Basket Tray 18"	18"	450	U/0023	-	-	U/1318	U/1610	U/1409	U/1509
Cover BFR for Basket Tray 20"	20"	500	2/1318	2/1327	2/4562	U/1319	U/1611	U/1410	U/1510
Cover BFR for Basket Tray 24"	24"	600	2/1319	2/1328	2/5357	U/1320	U/1612	U/1411	U/1511

ZN – Electrozinc Coating

GC – Hot Dip Galvanized Steel

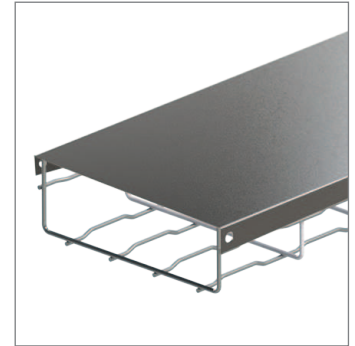
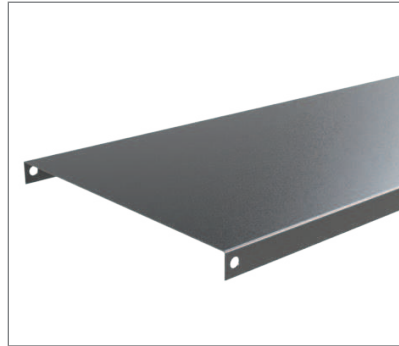
i304 – Stainless Steel AISI i304

Specification Sheet

COVER FOR BFR/BF2R H4"/6"



- Use with BFR and BF2R H4"/6" Basorfil tray
- Use PTBFR Hold Down Clips to attach covers
- Covers are 5' in length



DESCRIPTION	Ref.					
	PG	GC	Black	White	Red	Yellow
Cover E-BFR/BF2R H4"/6" Basket 4"	2/8811	2/8818	U/1305	U/1601	U/0496	U/0596
Cover E-BFR/BF2R H4"/6" Basket 6"	2/8812	2/8819	U/1321	U/1613	U/1412	U/1512
Cover E-BFR/BF2R H4"/6" Basket 8"	2/8813	2/8820	U/1322	U/1614	U/1413	U/1513
Cover E-BFR/BF2R H4"/6" Basket 12"	2/8814	2/8821	U/1323	U/1615	U/1414	U/1514
Cover E-BFR/BF2R H4"/6" Basket 16"	2/8815	2/8822	U/1324	U/1616	U/1415	U/1515
Cover E-BFR/BF2R H4"/6" Basket 18"	U/0024	-	U/1300	U/1602	U/0497	U/0597
Cover E-BFR/BF2R H4"/6" Basket 20"	2/8816	2/8823	U/1325	U/1617	U/1416	U/1516
Cover E-BFR/BF2R H4"/6" Basket 24"	2/8817	2/8824	U/1326	U/1618	U/1417	U/1517

PG – Pregalvanized GC – Hot Dip Galvanized Steel

Specification Sheet

ADJUSTABLE SPLICE WASHER KIT



- Use to create custom bends and sweeps



DESCRIPTION	Ref.						
	PG	GC	i304	Black	White	Red	Yellow
CU BFR/BF2R	2/5059	2/5060	2/5093	U/0344	U/0645	U/0445	U/0545

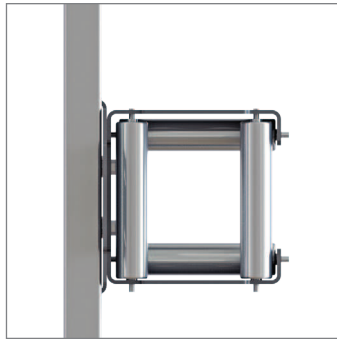
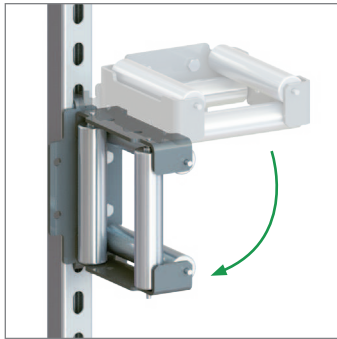
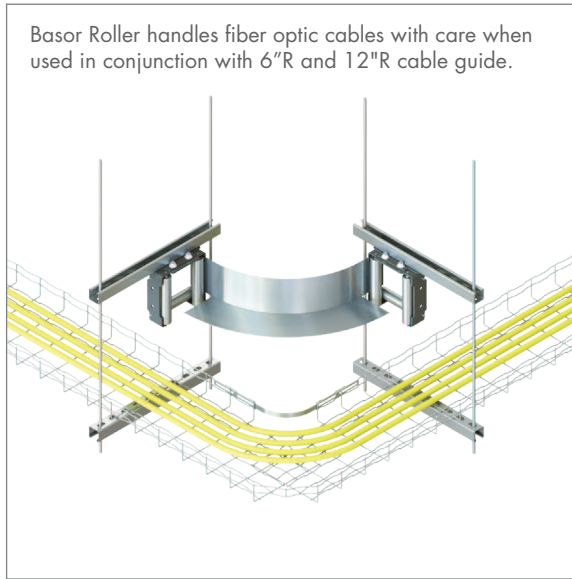
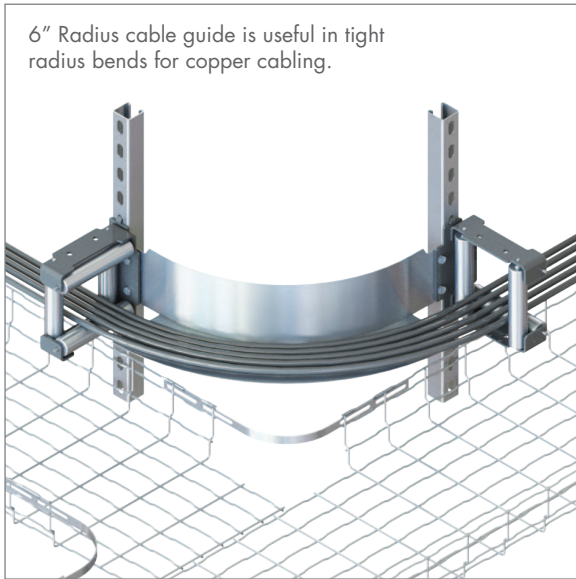
PG – Pregalvanized GC – Hot Dip Galvanized Steel i304 – Stainless Steel AISI i304

BASOR ROLLER SYSTEM



CABLE PULLING ROLLER SYSTEM FOR FIBER, COPPER, MC/VNTC CABLES

The Basor Roller System is a versatile tool to keep cables free of sharp bends and kinks with reducing wear to cable sheathing. Rollers can be snapped-in the heavy-duty frame or removed when needed. Large 4"x4" opening can handle multiple cable bundles.



Basor Roller attaches directly to slotted strut without additional clamps or hardware.

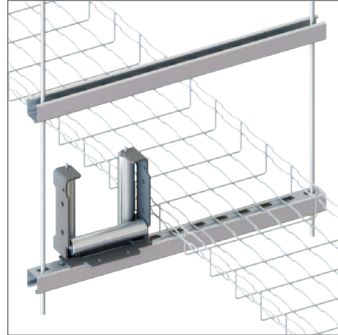
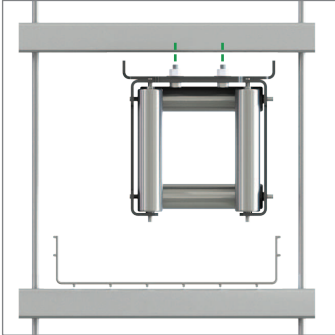
DESCRIPTION	HEIGHT	WIDTH	OPENING	RADIUS
Basor Roller	8"	8"	4"x4"	0.7"
Basor 6 Guide	8"	5"	-	6"
Basor 12 Guide	8"	5"	-	12"

BASOR ROLLER SYSTEM



CABLE PULLING ROLLER SYSTEM

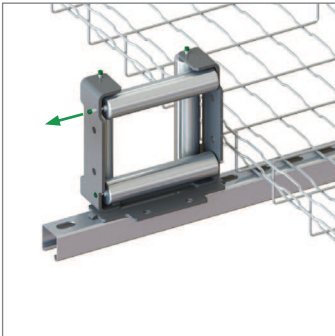
Basor Roller can be a permanent part of any cable management pathway.



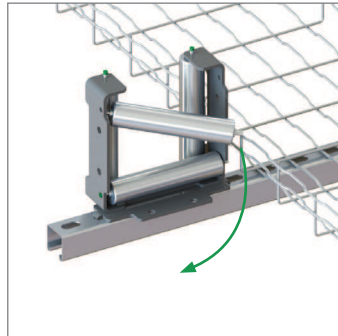
Top roller can be removed for easier install or removal of cables.

HOW TO REMOVE THE ROLLERS

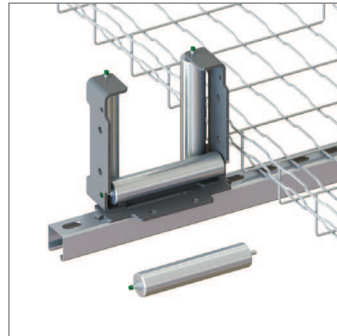
Basor Rollers can be removed without the use of tools.



Pull out spring-loaded pin indicated by the green end.



Opposite side of roller will no longer be seated and can be removed.

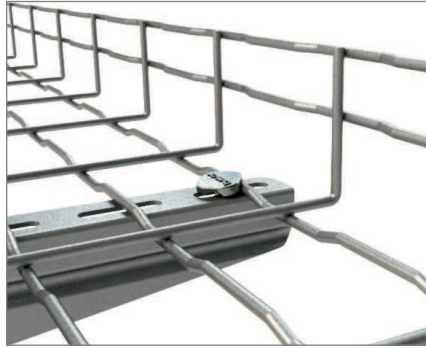
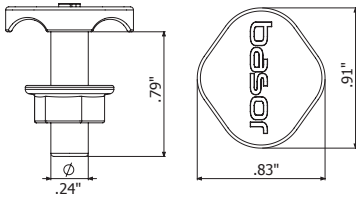


Specification Sheet

BF BOLT-NUT SET



- Use to attach tray to supports

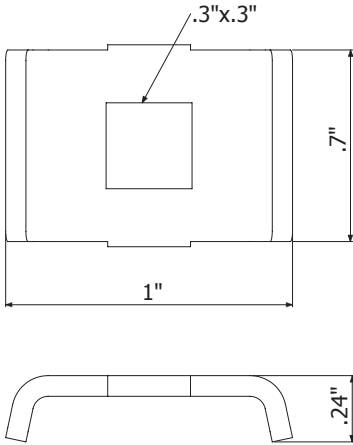


DESCRIPTION	Ref.							
	ZN	GC	i304	i316	Black	White	Red	Yellow
BF Bolt-Nut Set	2/4362	2/7132	2/4923	2/8229	U/0331	U/0632	U/0432	U/0532

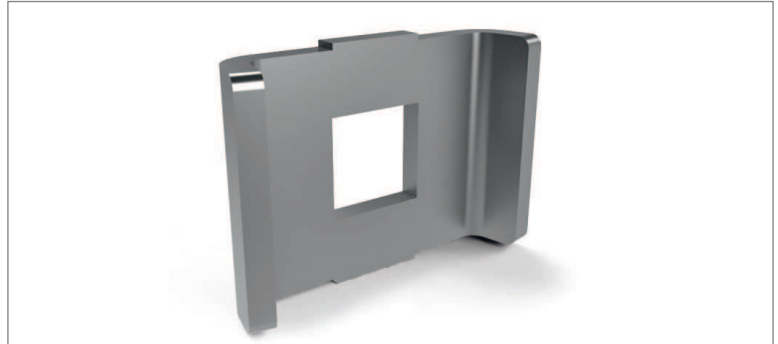
ZN – Electrozinc Coating GC – Hot Dip Galvanized Steel i304/i316 – Stainless Steel AISI i304/i316

Specification Sheet

BF WASHER



- Use to attach tray to supports or dividers



DESCRIPTION	Ref.							
	ZN	GC	i304	i316	Black	White	Red	Yellow
BF Washer	2/0337	2/0339	2/0340	2/1104	U/0332	U/0633	U/0433	U/0533

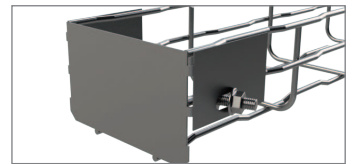
ZN – Electrozinc Coating

GC – Hot Dip Galvanized Steel

i304/i316 – Stainless Steel AISI i304/i316

BLIND END PLATE

- Use to block open sections of tray at run ends and width transitions



DESCRIPTION	Ref.						
	PG	GC	i304	Black	White	Red	Yellow
Reer 2"x2"	2/6291	2/6299	2/8767	U/0354	U/0655	U/0455	U/0555
Reer 4"x2"	2/6295	2/6303	2/8768	U/0355	U/0656	U/0456	U/0556
Reer 2"x4"	2/6293	2/6301	-	U/0356	U/0657	U/0457	U/0557
Reer 4"x4"	2/6297	2/6305	-	U/0357	U/0658	U/0458	U/0558

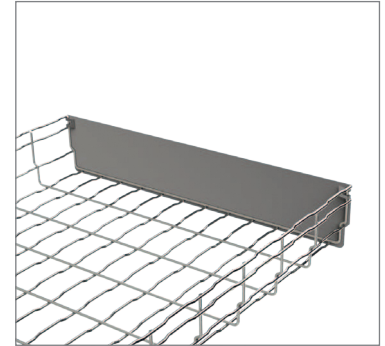
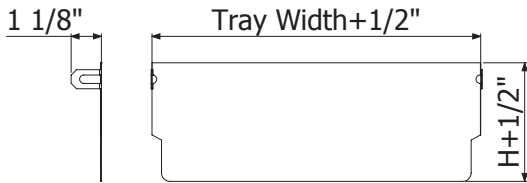
PG – Pregalvanized GC – Hot Dip Galvanized Steel i304 – Stainless Steel AISI i304

Specification Sheet

BLIND END PLATE

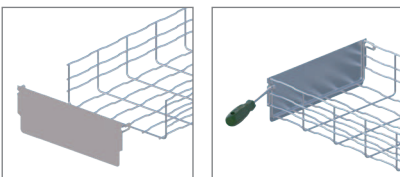


- No nuts or bolts required for attachment.

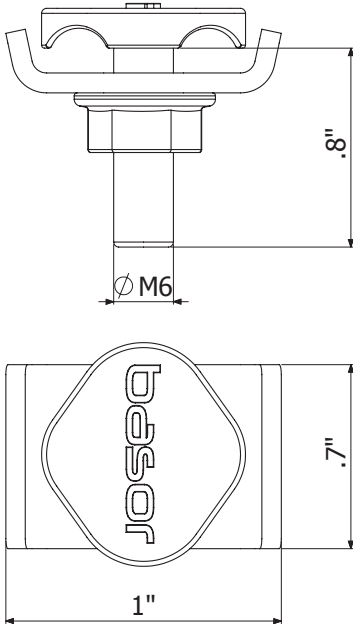


DESCRIPTION	WEIGHT		Ref.
	lbs/unit	kg/ud	PG
Blind End 4 x 2"	0.142	0.06	U/0044
Blind End 6 x 2"	0.209	0.10	U/0043
Blind End 8 x 2"	0.275	0.12	U/0042
Blind End 12 x 2"	0.409	0.19	U/0041
Blind End 16 x 2"	0.543	0.25	U/0040
Blind End 18 x 2"	0.61	0.28	U/0039
Blind End 20 x 2"	0.677	0.31	U/0038
Blind End 24 x 2"	0.811	0.37	U/0037
Blind End 4 x 4"	0.28	0.13	U/0058
Blind End 6 x 4"	0.41	0.19	U/0057
Blind End 8 x 4"	0.53	0.24	U/0056
Blind End 12 x 4"	0.78	0.35	U/0055
Blind End 16 x 4"	1.03	0.47	U/0054
Blind End 18 x 4"	1.15	0.52	U/0053
Blind End 20 x 4"	1.27	0.58	U/0052
Blind End 24 x 4"	1.52	0.67	U/0051

MOUNTING



BOLT-STAPLE SET



- Set includes BF Bolt-Nut Set and BF Washer
- Use to splice all Basorfill trays



DESCRIPTION	Ref.							
	ZN	GC	i304	i316	Black	White	Red	Yellow
BF Bolt-Staple Set	2/4364	2/4360	2/4915	2/5358	U/0329	U/0630	U/0430	U/0530

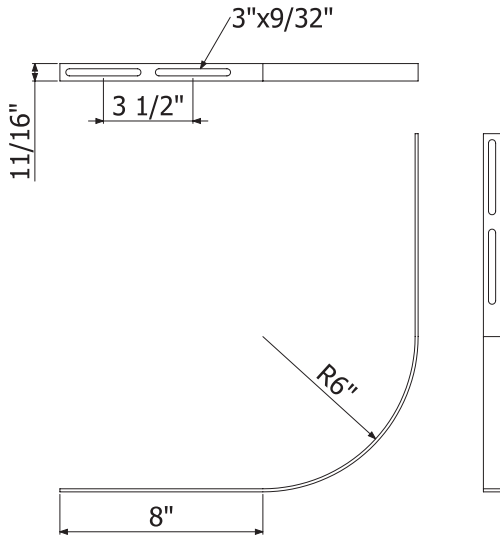
ZN – Electrozinc Coating

GC – Hot Dip Galvanized Steel

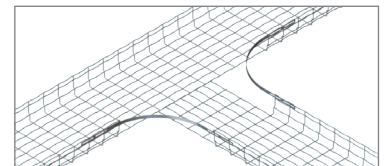
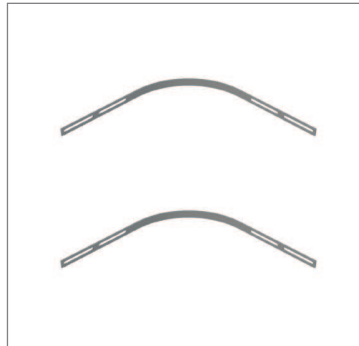
i304/i316 – Stainless Steel AISI i304/i316

Specification Sheet

BT 90 KIT

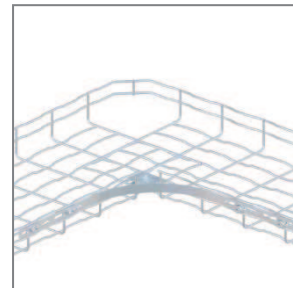
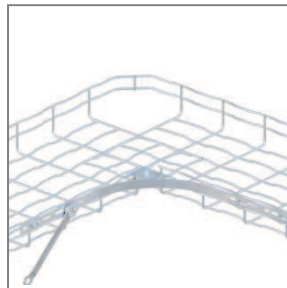
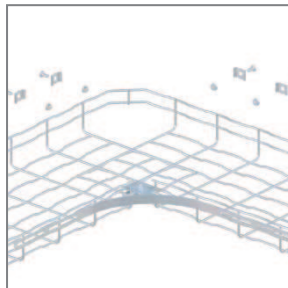
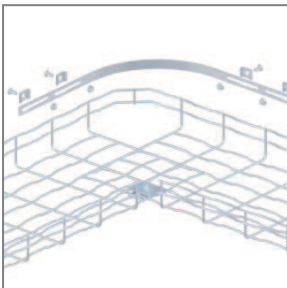


- Kit contains enough hardware for two elbows or one tee
- Facilitates easy cable pulling
- Fits all 2" and 4" height Basorfil tray



DESCRIPTION	WEIGHT		Ref.		
	lbs/unit	kg/ud	PG	Black	White
BT-90 KIT	0.62	0.28	U/0008	U/0398	U/0692

MOUNTING

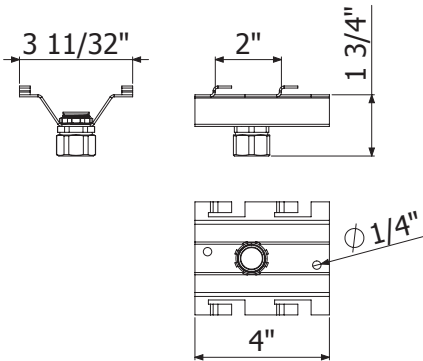


Specification Sheet

CAMERA SUPPORT

3E Basor
CABLE TRAY SPECIALIST

- No nuts or bolts needed to install
- The pipe (conduit) will be supplied by the installer.
(The part comes with 1/2" conduit compression splicing nut/bolt)



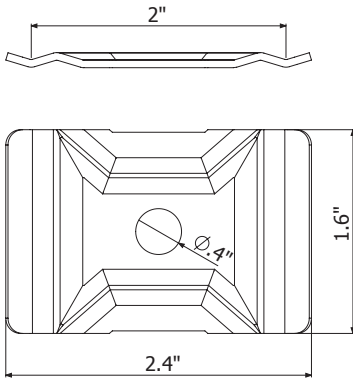
DESCRIPTION	WEIGHT		Ref.
	lbs/unit	kg/ud	PG
Camera Support	1	0.45	U/0036

MOUNTING

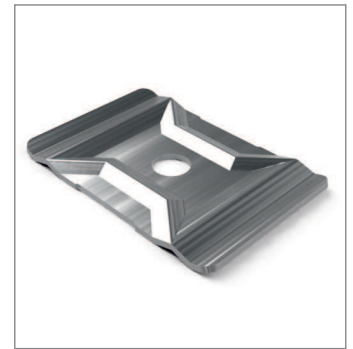
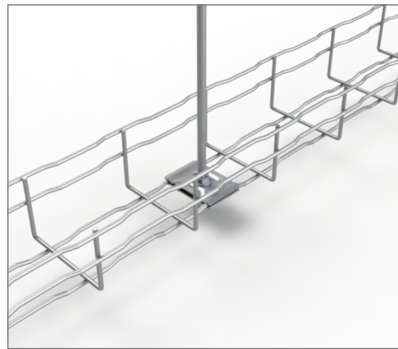


Specification Sheet

SSC CENTRAL SUSPENSION AND SPLICE WASHER



- Use with threaded rod up to 3/8" diameter
- Each hanging attachment requires: Two - SSC and threaded rod fitted with two nuts
- Use as attachment to any support

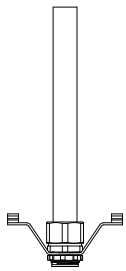
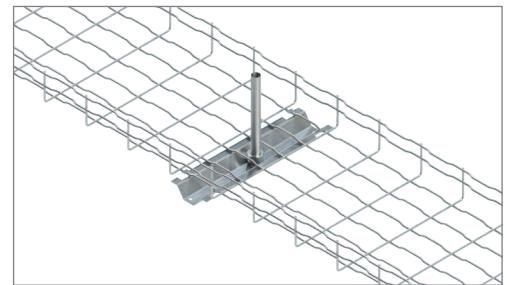
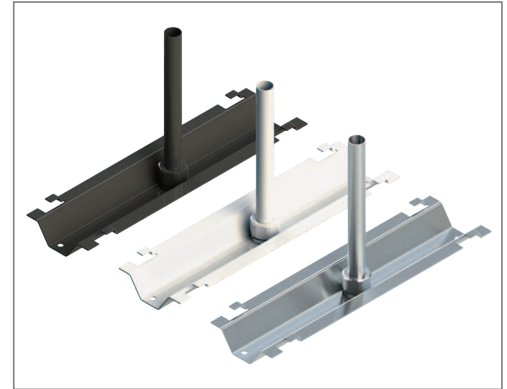
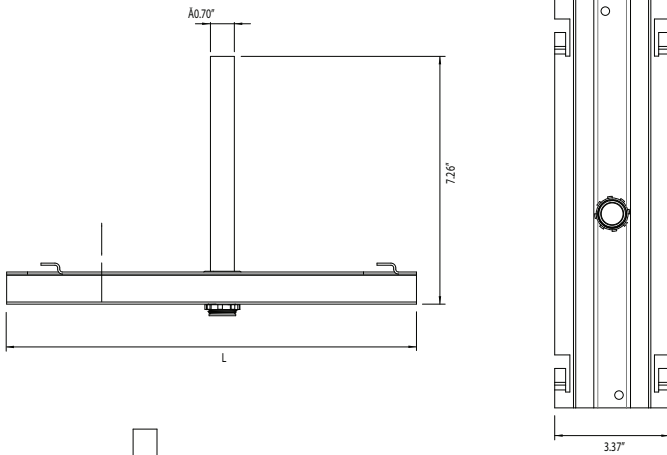


DESCRIPTION	Ref.							
	ZN	GC	i304	i316	Black	White	Red	Yellow
SSC	2/2064	2/0363	2/0373	UR	U/0333	U/0634	U/0434	U/0534

ZN – Electro zinc Coating GC – Hot Dip Galvanized Steel i304/i316 – Stainless Steel AISI i304/i316

Specification Sheet

CH-SVO CENTER HANGER



- Use to center hang Basorfil tray
- Bend over tabs mount Basorfil tray without additional hardware
- Accepts up to 3/8" threaded rod for support
- Pre-galvanized, white and black finishes

DESCRIPTION	ACCEPTS TRAY	LENGTH	REF.				
			PG	Black	White	Red	Yellow
4"/6"/8" Center Hanger Support	4"/6"/8"	4"	U/0029	U/1309	U/0695	U/1400	U/1500
12"/16" Center Hanger Support	12"/16"	12"	U/0030	U/1310	U/0696	U/1401	U/1501
18" Center Hanger Support	18"	18"	U/0031	U/1311	U/0697	U/1402	U/1502
20"/24" Center Hanger Support	20"/24"	20"	U/0032	U/1312	U/0698	U/1403	U/1503

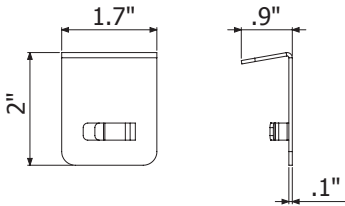
4"/6"/8"	12"/16"	18"	20"/24"

Specification Sheet

COVER HOLD DOWN CLIP



- Use to attach covers to Basorfil tray
- Bend-over tabs attach covers without bolting

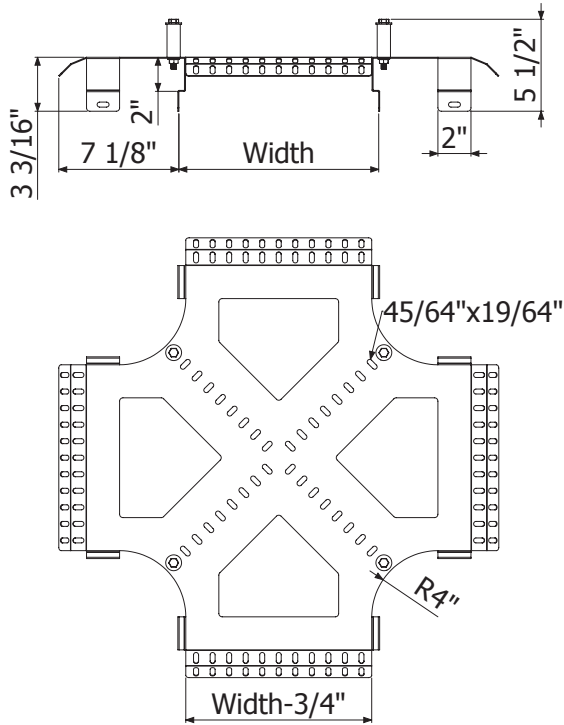


DESCRIPTION	Ref.					
	PG	i304	Black	White	Red	Yellow
PTBFR	2/10253	2/10254	U/1301	U/1600	U/0495	U/0595

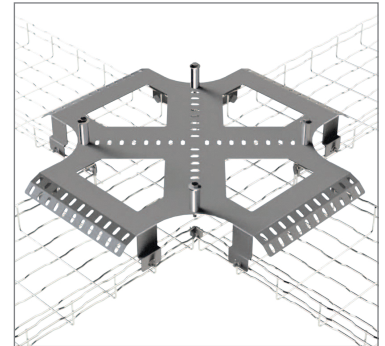
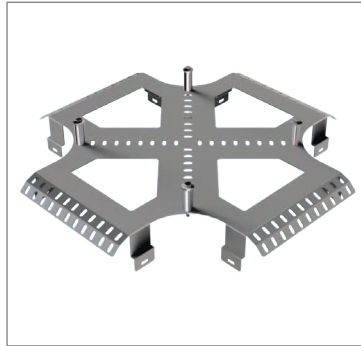
PG – Pregalvanized

i304 – Stainless Steel AISI i304

CROSS BRIDGE CRPBFR



- 8 pcs Bolt Staple Sets are required to attach the cross bridge to Basorfil basket trays



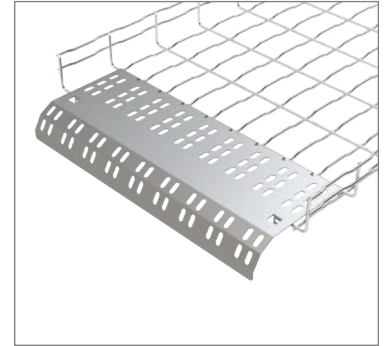
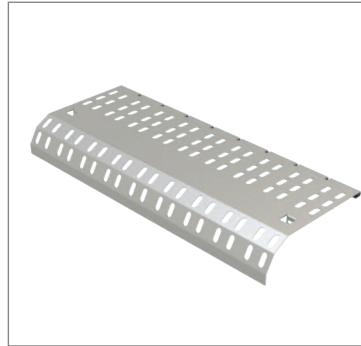
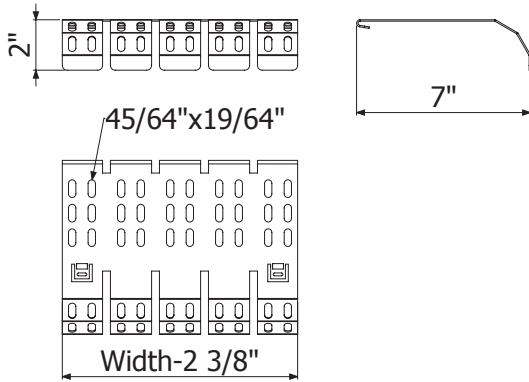
DESCRIPTION	WIDTH		WEIGHT		Ref.
	in	mm	lbs/unit	kg/ud	PG
Cross Bridge CRPBFR 6 x 4"	6	152.4	0.142	0.06	223083
Cross Bridge CRPBFR 8 x 4"	8	203.2	5.53	2.50	223084
Cross Bridge CRPBFR 12 x 4"	12	304.8	7.34	3.33	223085
Cross Bridge CRPBFR 18 x 4"	18	457.2	10.03	4.55	223086
Cross Bridge CRPBFR 24 x 4"	24	609.6	15.48	7.02	223087

Specification Sheet

CROSS DROP OUT CDO

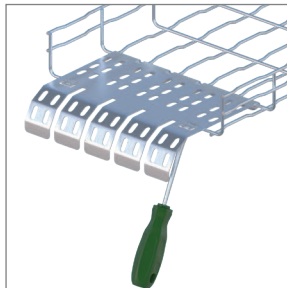
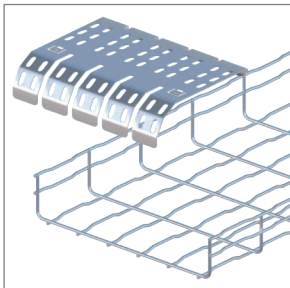


- Bolts not needed. It is attached by pressing the flanges with a flat screwdriver.



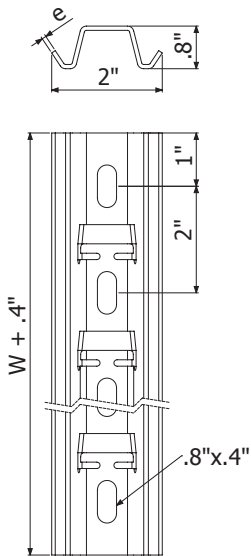
DESCRIPTION	WIDTH		WEIGHT		Ref.
	in	mm	lbs/unit	kg/ud	PG
Cross Drop Out CDO 8"	8	203.2	0.38	0.17	9/02508
Cross Drop Out CDO 12"	12	304.8	1.32	0.60	9/02509
Cross Drop Out CDO 16"	16	406.4	1.76	0.80	9/02510
Cross Drop Out CDO 18"	18	457.2	1.98	0.90	9/02511
Cross Drop Out CDO 20"	20	508	2.20	1.00	9/02512
Cross Drop Out CDO 24"	24	609.6	2.64	1.20	9/02513
Cross Drop Out CDO 28"	28	711.2	3.08	1.40	9/02514
Cross Drop Out CDO 36"	36	914.4	3.96	1.80	9/02515

MOUNTING



Specification Sheet

C-SVO SUPPORT PROFILE



- Use for ceiling hanging Basorfil tray
- Accepts up to 3/8" threaded rods
- Attach tray with fold-down tabs



DESCRIPTION	WIDTH (W)		Ref.						
	in	mm	PG	GC	i304	Black	White	Red	Yellow
C-SVO 4"	4"	100	2/3630	2/6280	2/6285	U/0370	U/0671	U/0471	U/0571
C-SVO 6"	6"	150	2/1073	2/1078	2/1087	U/0371	U/0672	U/0472	U/0572
C-SVO 8"	8"	200	2/1074	2/1079	2/1088	U/0372	U/0673	U/0473	U/0573
C-SVO 12"	12"	300	2/1076	2/1081	2/1090	U/0373	U/0674	U/0474	U/0574
C-SVO 16"	16"	400	2/3629	2/5719	2/6287	U/0374	U/0675	U/0475	U/0575
C-SVO 18"	18"	450	2/1075	-	-	U/0377	U/0678	U/0478	U/0578
C-SVO 20"	20"	500	2/1077	2/1082	2/6288	U/0375	U/0676	U/0476	U/0576
C-SVO 24"	24"	600	2/5941	2/5720	-	U/0376	U/0677	U/0477	U/0577
M8 Threaded Rod	-	-	2/3397	-	-	-	-	-	-
M8 DIN 6923 Nut	-	-	0/0338	0/0348	-	-	-	-	-
C-SVO 10 ft	-	-	2/1101	-	-	-	-	-	-

SAFE WORKING LOAD

DESCRIPTION	SAFE WORKING LOAD					
	PG		GC		i304	
	lbs/ft	kg/m	lbs/ft	kg/m	lbs/ft	kg/m
C-SVO 4"	550	250	550	250	550	250
C-SVO 6"	440	200	440	200	440	200
C-SVO 8"	647	294	647	294	647	294
C-SVO 12"	517	235	517	235	517	235
C-SVO 16"	354	161	354	161	354	161
C-SVO 18"	-	-	-	-	-	-
C-SVO 20"	253	115	253	115	253	115
C-SVO 24"	191	87	191	87	191	87
M8 Threaded Rod	-	-	-	-	-	-
M8 DIN 6923 Nut	-	-	-	-	-	-
C-SVO 10 ft	-	-	-	-	-	-

PG – Pregalvanized

GC – Hot Dip Galvanized Steel

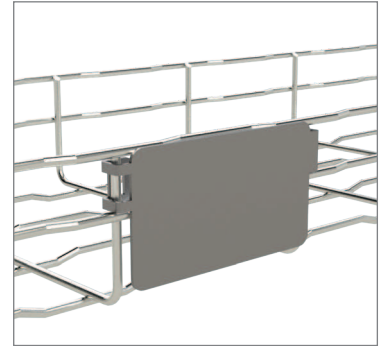
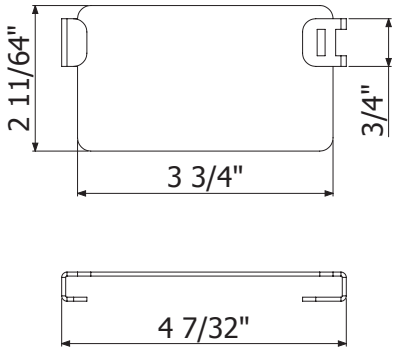
i304 – Stainless Steel AISI i304

Specification Sheet

DESIGNATION PLATE DP

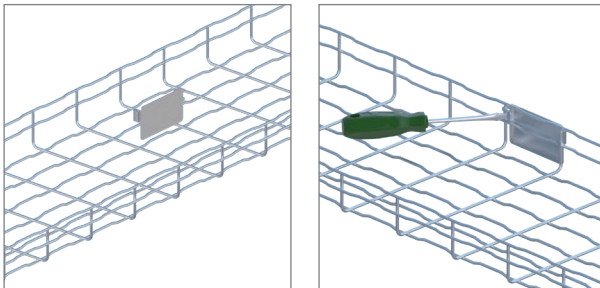


- Bolts not needed. It is attached by pressing the flanges with a flat screwdriver.



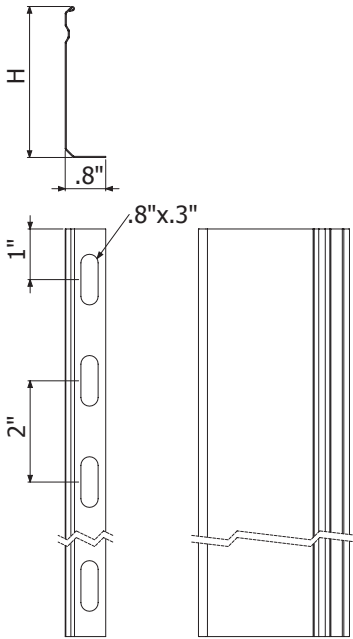
DESCRIPTION	WEIGHT		Ref.
	lbs/unit	kg/ud	PG
Designation Plate DP	0.20	0.10	9/02519

MOUNTING

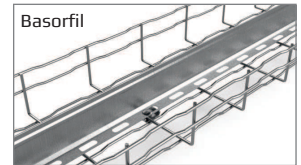
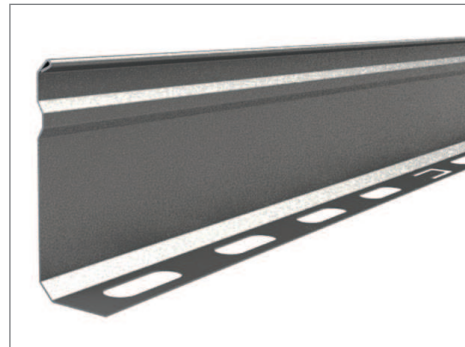


Specification Sheet

PS - DIVIDER STRIP



- Keeps cables separated in a single tray
- Use in Basorfil and Basortray
- Attach to Basorfil with B1 Bolt Set and BF Washer every 20"
- Attach to Basortray with B1 Bolt Set every 20"
- Easily field modified



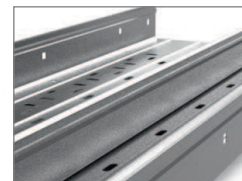
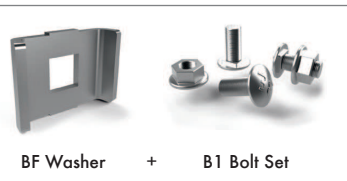
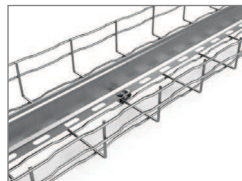
DESCRIPTION	HEIGHT (H)		LENGTH (L)		Ref.							
	in	mm	ft	m	GS	GC	i304	i316	Black	White	Red	Yellow
PS 35	1.4"	35	10'	3	2/3476	2/3479	2/11227	UR	U/0322	U/0623	U/0423	U/0523
PS 60	2.4"	60	10'	3	2/2066	2/3480	2/3645	UR	U/0323	U/0624	U/0424	U/0524
PS 80	3.25"	80	10'	3	2/3477	2/3481	2/11228	UR	U/0324	U/0625	U/0425	U/0525
PS 100	4"	100	10'	3	2/3478	2/3482	2/5118	UR	U/0325	U/0626	U/0426	U/0526
PS 150	6"	150	10'	3	2/9852	2/4592	UR	UR	U/0326	U/0627	U/0427	U/0527

GS – Pre-galvanized steel

GC – Hot Dip Galvanized Steel

i304/i316 – Stainless Steel AISI i304/i316

MOUNTING OPTIONS

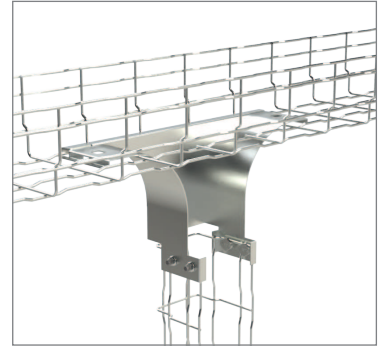
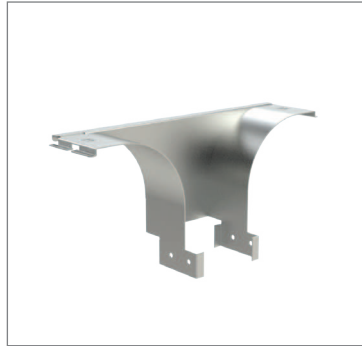
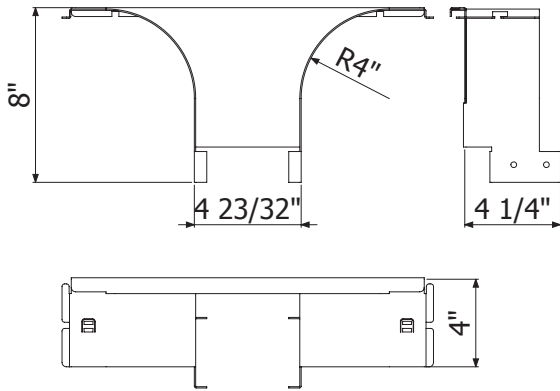


Specification Sheet

DROP OUT BJCBFR

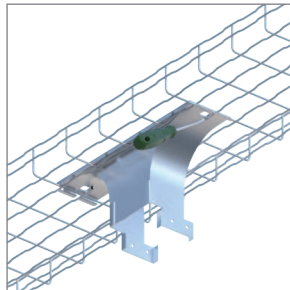
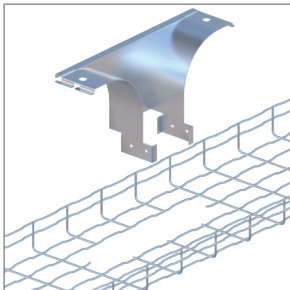


- 4 pcs Bolt Staple Set needed for installation.



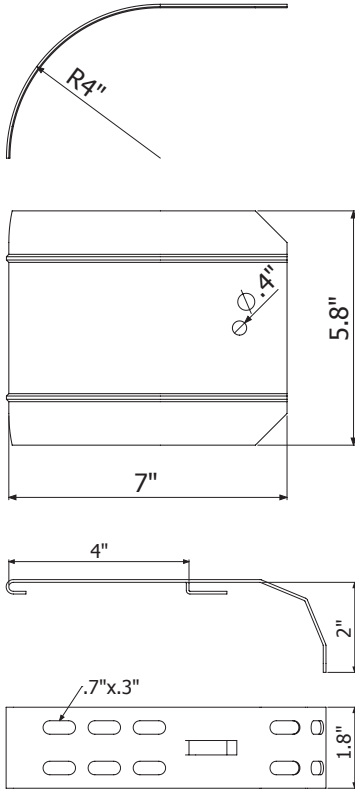
DESCRIPTION	WIDTH		WEIGHT		Ref.
	in	mm	lbs/unit	kg/ud	PG
Drop Out Sideway BJCBFR 4"x4"	8	203.2	2.03	0.92	2/18813

MOUNTING

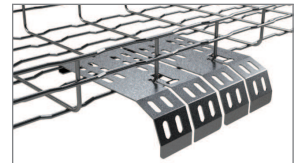


Specification Sheet

DROP-OUT PLATE



- Use for areas where cables enter or exit the tray

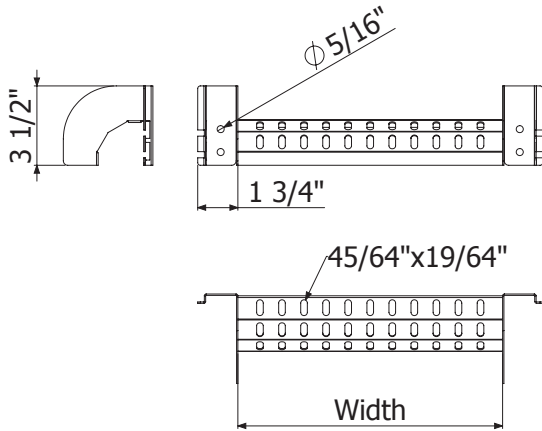


DESCRIPTION	Ref.					
	PG	GC	Black	White	Red	Yellow
BF/BFR Drop-Out Plate	2/6451	2/6452	U/0338	U/0639	U/0439	U/0539
BF/BFR Mini Drop-Out Plate	2/9807	-	U/0339	U/0640	U/0440	U/0540

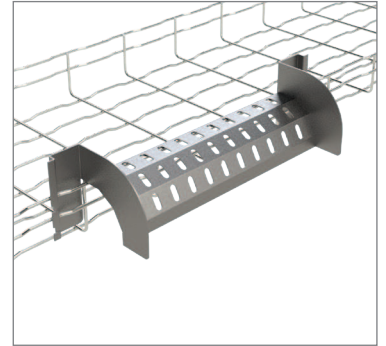
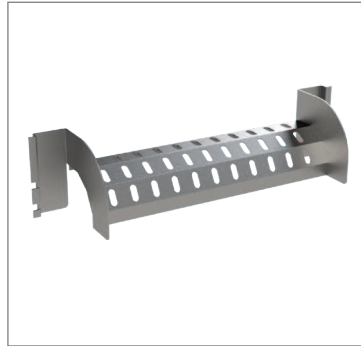
PG – Pregalvanized GC – Hot Dip Galvanized Steel

Specification Sheet

DROP OUT SIDEWAY BJCL

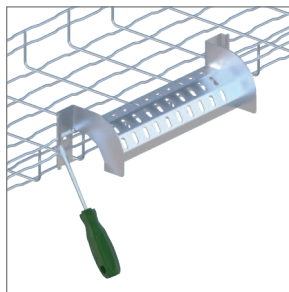
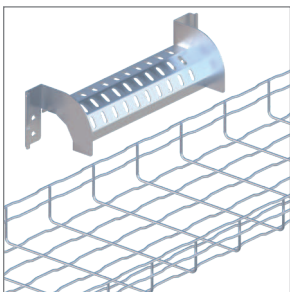


• Bolts not needed.

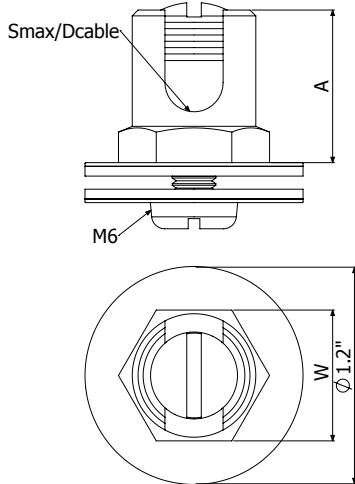


DESCRIPTION	WIDTH		WEIGHT		Ref.
	in	mm	lbs/unit	kg/ud	PG
Drop Out Sideway BJCL 8"	8	203.2	0.99	0.45	2/18777
Drop Out Sideway BJCL 12"	12	304.8	1.21	0.55	2/18778
Drop Out Sideway BJCL 18"	18	457.2	1.54	0.70	2/18779
Drop Out Sideway BJCL 24"	24	609.6	1.87	0.85	2/18780

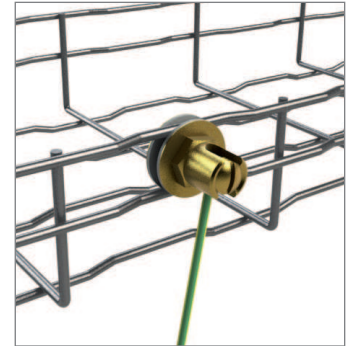
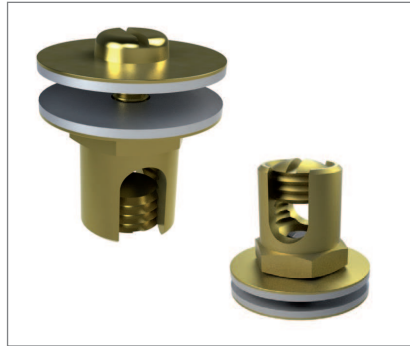
MOUNTING



GROUNDING LUG



- Use to install a grounding conductor on Basorfil tray



DESCRIPTION	SMAX		Ref.
	in ²	mm ²	BRASS
Grounding TT 35 M6 x .47"	0.054	35	2/6796
Grounding TT 95 M6 x .47"	0.147	95	2/6797

HINGED SPLICE



- Use for changes in elevation
- Adjusts to any angle



DESCRIPTION	Ref.					
	PG	i304	Black	White	Red	Yellow
JUA-BFR 2"/4"	2/9868	2/9869	U/0342	U/0643	U/0443	U/0543

PG – Pregalvanized i304 – Stainless Steel AISI i304

Specification Sheet

KIT FS UNDER FLOOR SUPPORT CLAMP



- Clamps to the under floor legs
- Use with C-SHO or C-SVO to support Basorfil tray

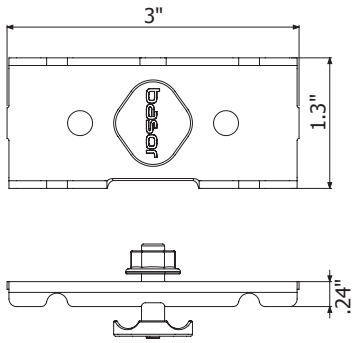


DESCRIPTION	HEIGHT (H)		Ref.				
	in	mm	PG	Black	White	Red	Yellow
Kit FS	2"	50	2/8231	U/1303	U/1604	U/0499	U/0599
C-SVO-FS 20"	-	-	2/9676	-	-	-	-

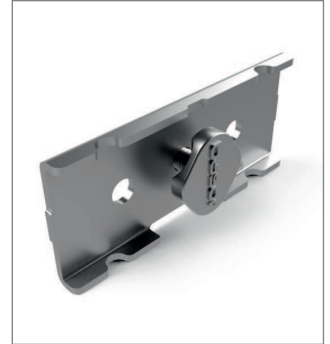
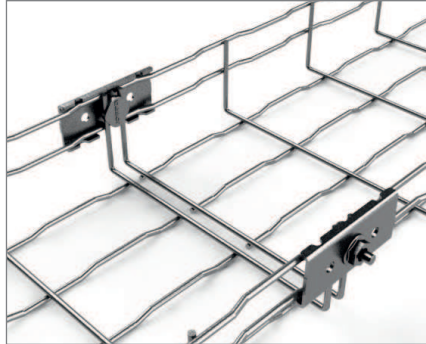
PG – Pregalvanized

Specification Sheet

LATERAL SPLICE SET ULA BFR 2"/4"



- Use to splice BFR H2" and BFR H4" tray
- Most rigid Basorfil splice
- Set includes lateral splice and BF Bolt-Nut Set

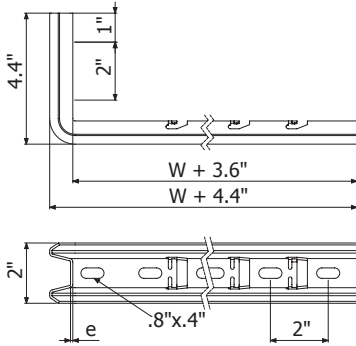


DESCRIPTION	Ref.						
	ZN	GC	i304	Black	White	Red	Yellow
Lateral Splice Set ULA 2"/4"	2/4919	2/4363	2/4921	U/0330	U/0631	U/0431	U/0531

ZN – Electro zinc Coating GC – Hot Dip Galvanized Steel i304 – Stainless Steel AISI i304

Specification Sheet

L BRACKET WALL MOUNT



- Use for wall support of Basorfil tray
- Attach tray with fold-down tabs
- Use SHO/SHOT piece when anchoring to wall for greatest load capacity



DESCRIPTION	WIDTH (W)		Ref.						
	in	mm	PG	GC	i304	Black	White	Red	Yellow
C-SHO 4"	4"	100	2/7230	2/7239	2/7490	U/0358	U/0659	U/0459	U/0559
C-SHO 6"	6"	150	2/7231	2/7240	2/7491	U/0359	U/0660	U/0460	U/0560
C-SHO 8"	8"	200	2/7232	2/7241	2/7492	U/0360	U/0661	U/0461	U/0561
C-SHO 12"	12"	300	2/7233	2/7242	2/7493	U/0361	U/0662	U/0462	U/0562
SHO/SHOT piece	-	-	2/6240	2/6318	-	-	-	-	-

DESCRIPTION	SAFE WORKING LOAD					
	PG		GC		i304	
	lbs/ft	kg/m	lbs/ft	kg/m	lbs/ft	kg/m
C-SHO 4"	216	98	216	98	216	98
C-SHO 6"	198	90	198	90	198	90
C-SHO 8"	152	69	152	69	152	69
C-SHO 12"	99	45	99	45	99	45
SHO/SHOT piece	-	-	-	-	-	-

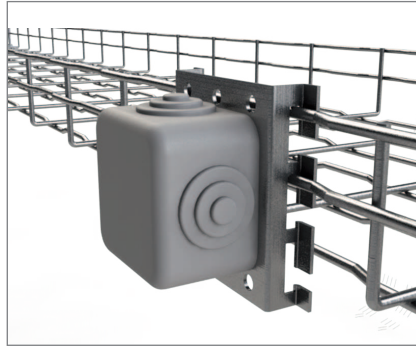
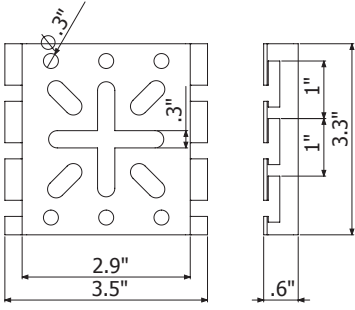
PG – Pregalvanized GC – Hot Dip Galvanized Steel i304 – Stainless Steel AISI i304

Specification Sheet

MINI UNIVERSAL SUPPORT AND WALL MOUNT



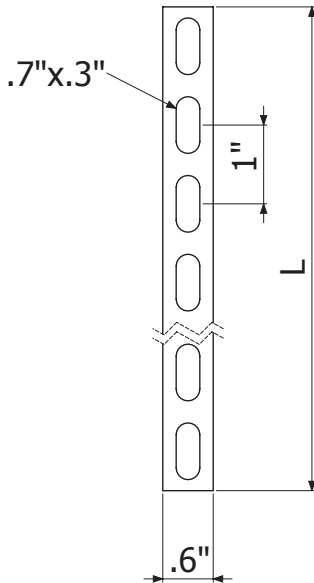
- For mounting electrical boxes to Basorfil tray
- Supports Basorfil BF2R 2"x 2" tray to walls



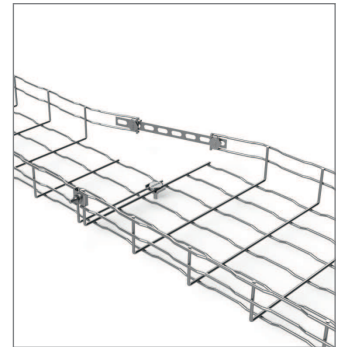
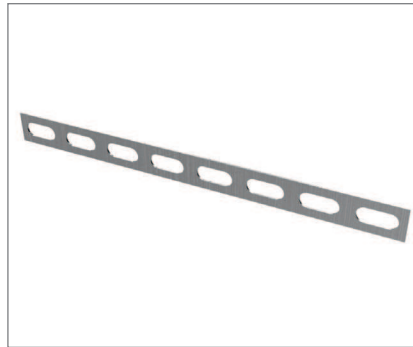
DESCRIPTION	Ref.							
	PG	GC	i304	i316	Black	White	Red	Yellow
Mini Universal Support	2/0359	2/0369	2/0379	UR	U/0337	U/0638	U/0438	U/0538

PG – Pregalvanized GC – Hot Dip Galvanized Steel i304/i316 – Stainless Steel AISI i304/i316

MINI UNION SPLICE BAR



- Use for splicing two different widths of Basorfil



DESCRIPTION	Ref.							
	PG	GC	i304	i316	Black	White	Red	Yellow
MU	2/0357	-	2/9872	2/14244	U/0340	U/0641	U/0441	U/0541
MU 275	2/10007	-	-	-	U/0341	U/0642	U/0442	U/0542

PG – Pregalvanized GC – Hot Dip Galvanized Steel i304/i316 – Stainless Steel AISI i304/i316

OFFSET HEAD WIRE CUTTERS



- Use for cutting all Basorfil tray types



DESCRIPTION	Ref.
Wire Cutters	2/5066

Specification Sheet

PBFR UNDER FLOOR SUPPORT



- Use to support Basorfil in underfloor applications



DESCRIPTION	HEIGHT (H)		Ref.		
	in	mm	PG	GC	i304
PBFR Support	2"	50	2/5590	2/4397	2/8777

PG – Pregalvanized

GC – Hot Dip Galvanized Steel

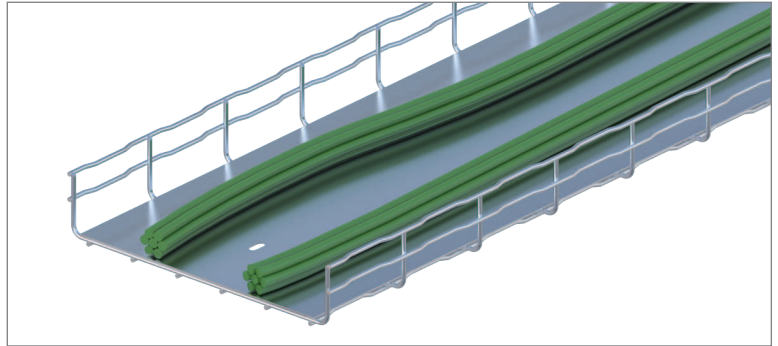
i304 – Stainless Steel AISI i304

Specification Sheet

PVC LINER



- Length = 10FT / 3m



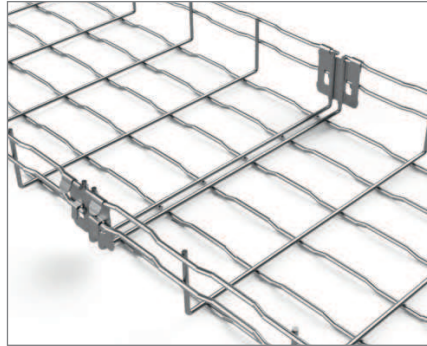
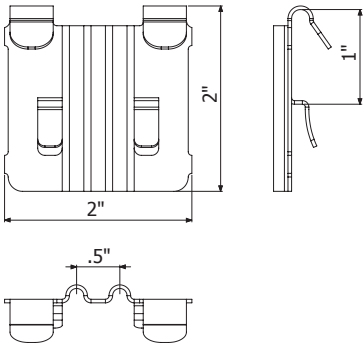
DESCRIPTION	WIDTH		LENGTH		WEIGHT		Ref.
	in	mm	ft	m	lbs/unit	kg/ud	PVC
Wider Liner 6"	6	150	200	61	21	10	Upon Request
Wider Liner 12"	12	300	200	61	28	13	
Wider Liner 18"	16	400	200	61	46	21	
Wider Liner 24"	24	600	200	61	55	25	
Wider Liner 6" (Bottom Only)	6	150	200	61	7	3	Upon Request
Wider Liner 12" (Bottom Only)	12	300	200	61	21	10	
Wider Liner 18" (Bottom Only)	16	400	200	61	33	15	
Wider Liner 20" (Bottom Only)	20	500	200	61	37	17	
Wider Liner 24" (Bottom Only)	24	600	200	61	44	20	

Specification Sheet

QUICK SPLICE



- Use to splice BFR and E-BFR Basorfil trays



DESCRIPTION	Ref.					
	ZN	GC	Black	White	Red	Yellow
UR BFR H2"/4" E-BFR H4"	2/6217	2/6219	U/0327	U/0628	U/0428	U/0528
UR BFR H1-1/2" E-BFR H2"/4"	2/7271	2/7272	U/0328	U/0629	U/0429	U/0529

ZN – Electrozinc Coating GC – Hot Dip Galvanized Steel

Specification Sheet

SFS UNDER FLOOR SUPPORT



- Use to support Basorfil in underfloor applications
- Use with C-SVO to support wider sections of Basorfil trays



DESCRIPTION	HEIGHT (H)		Ref.				
	in	mm	PG	Black	White	Red	Yellow
SFS Support	5.55"	140	2/5602	U/1302	U/1603	U/0498	U/0598

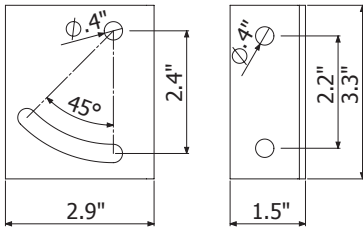
PG – Pregalvanized

Specification Sheet

SIMPLE WALL BRACKET



- Use with SRB supports for curved walls and inclined planes

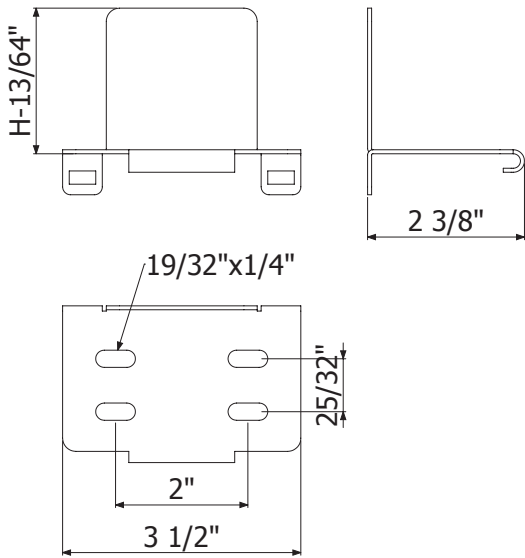


DESCRIPTION	Ref.					
	PG	GC	Black	White	Red	Yellow
Simple Wall Bracket	2/6289	2/5881	U/0369	U/0670	U/0470	U/0570

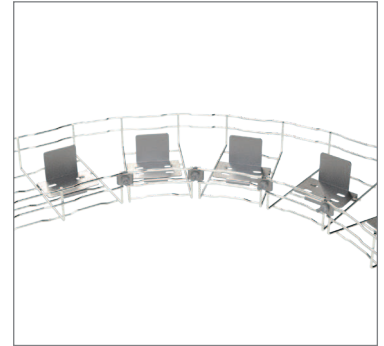
PG – Pregalvanized GC – Hot Dip Galvanized Steel

Specification Sheet

SINGLE DIVIDERS SSBFR

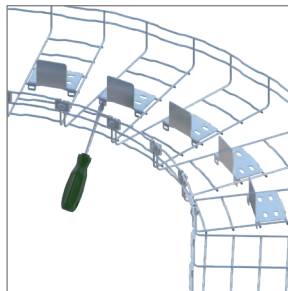
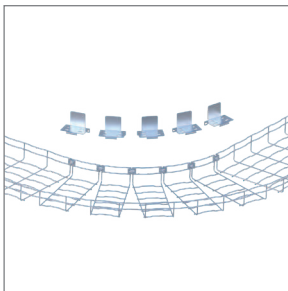


- Bolts not needed. It is attached by pressing the flanges with a flat screwdriver.



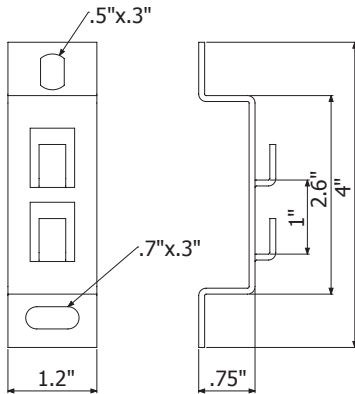
DESCRIPTION	WIDTH		WEIGHT		Ref.
	in	mm	lbs/unit	kg/ud	PG
SSBFR 2" PG	2	50.8	0.24	0.11	2/18781
SSBFR 4" PG	4	101.6	0.29	0.13	2/18782
SSBFR 6" PG	6	152.4	0.29	0.13	2/18783

MOUNTING

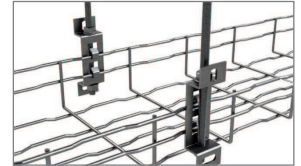


Specification Sheet

SIMPLE SIDE HANGER SL



- Use with threaded rod for ceiling hanging applications
- Use only with 2" and 4" depth trays and tray widths up to 8"
- Bend tabs to fasten tray

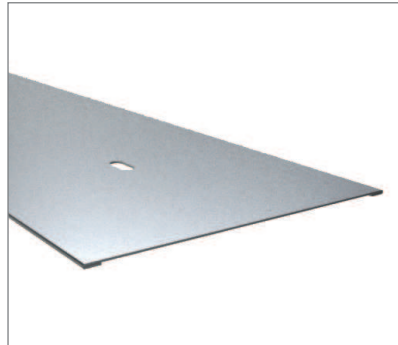


DESCRIPTION	Ref.							
	PG	GC	i304	i316	Black	White	Red	Yellow
Simple Side Hanger SL	2/0360	2/0370	2/0370	UR	U/0334	U/0635	U/0435	U/0535

PG – Pregalvanized GC – Hot Dip Galvanized Steel i304/i316 – Stainless Steel AISI i304/i316

SOLID BOTTOM INSERT

- Creates a smooth base inside Basorfil tray for sensitive cable types

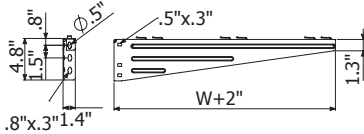
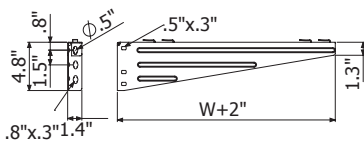
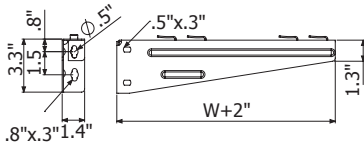
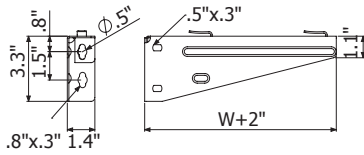


DESCRIPTION	Ref.				
	PG	Black	White	Red	Yellow
Solid Bottom 4"	SB4	U/0346	U/0647	U/0447	U/0547
Solid Bottom 6"	SB6	U/0347	U/0648	U/0448	U/0548
Solid Bottom 8"	SB8	U/0348	U/0649	U/0449	U/0549
Solid Bottom 12"	SB12	U/0349	U/0650	U/0450	U/0550
Solid Bottom 16"	SB16	U/0350	U/0651	U/0451	U/0551
Solid Bottom 18"	SB18	U/0351	U/0652	U/0452	U/0552
Solid Bottom 20"	SB20	U/0352	U/0653	U/0453	U/0553
Solid Bottom 24"	SB24	U/0353	U/0654	U/0454	U/0554

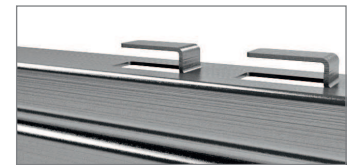
PG – Pregalvanized

Specification Sheet

SRB WALL SUPPORT



- Use for wall support of Basorfil tray
- Attach tray with fold-down tabs



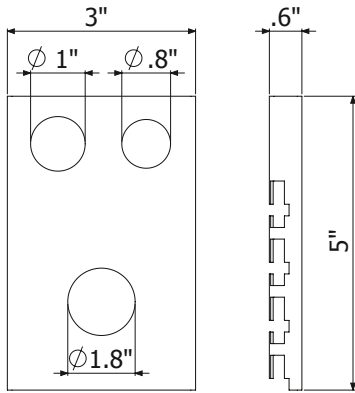
DESCRIPTION	WIDTH (W)		Ref.					
	in	mm	PG	GC	Black	White	Red	Yellow
SRB 4"	4"	100	2/6372	2/6379	U/0362	U/0663	U/0463	U/0563
SRB 6"	6"	150	2/6373	2/6380	U/0363	U/0664	U/0464	U/0564
SRB 8"	8"	200	2/6374	2/6381	U/0364	U/0665	U/0465	U/0565
SRB 12"	12"	300	2/6375	2/6382	U/0365	U/0666	U/0466	U/0566
SRB 16"	16"	400	2/6376	2/6383	U/0366	U/0667	U/0467	U/0567
SRB 18"/20"	20"	500	2/6377	2/6384	U/0367	U/0668	U/0468	U/0568
SRB 24"	24"	600	2/6378	2/6385	U/0368	U/0669	U/0469	U/0569

DESCRIPTION	SAFE WORKING LOAD			
	PG		GC	
	lbs/ft	kg/m	lbs/ft	kg/m
SRB 4"	132	80	132	80
SRB 6"	132	80	132	80
SRB 8"	132	80	132	80
SRB 12"	132	80	132	80
SRB 16"	132	80	132	80
SRB 18"/20"	132	80	132	80
SRB 24"	132	80	132	80

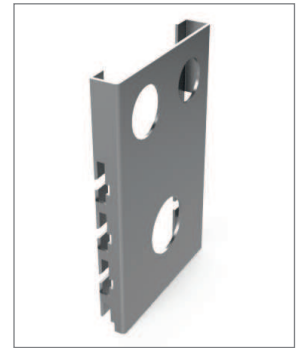
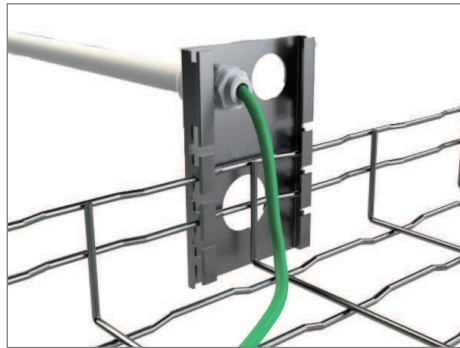
PG – Pregalvanized GC – Hot Dip Galvanized Steel

Specification Sheet

STB CONDUIT CONNECTOR PLATE



- Allows the attachment of conduit to Basorfil tray



DESCRIPTION	Ref.							
	PG	GC	i304	i316	Black	White	Red	Yellow
STB Conduit Conector Plate	2/0356	2/0366	2/0376	UR	U/0335	U/0636	U/0436	U/0536

PG – Pregalvanized GC – Hot Dip Galvanized Steel i304/i316 – Stainless Steel AISI i304/i316

STRUT CONNECTION CLIP

- Spring clip fastens tray to strut



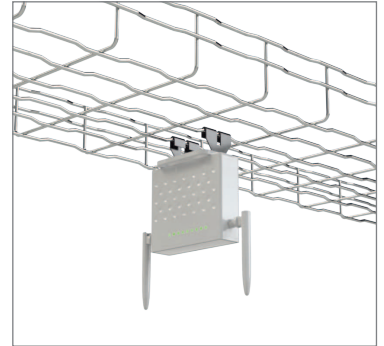
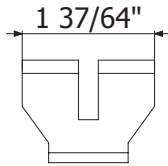
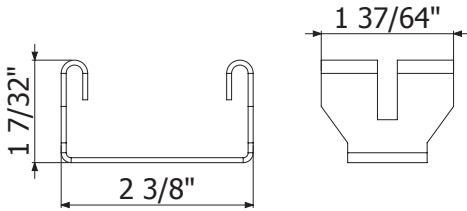
DESCRIPTION	Ref.				
		Black	White	Red	Yellow
CFBFR41	2/10284	U/1304	U/0699	U/0494	U/0594

Specification Sheet

SUPPORT SFL 30

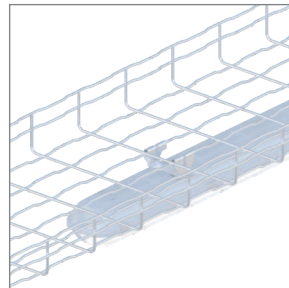
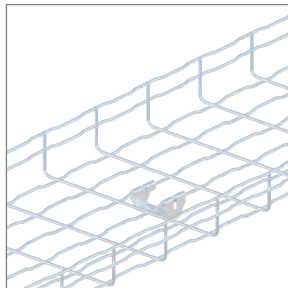
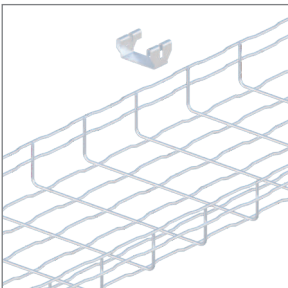


- Bolts not needed.



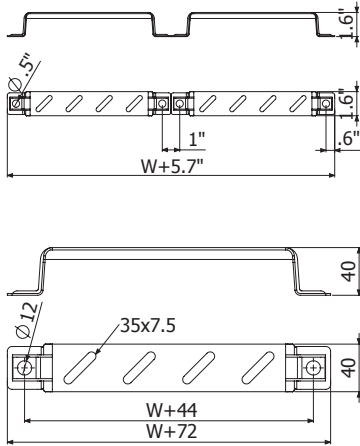
DESCRIPTION	WEIGHT		Ref.
	lbs/unit	kg/ud	PG
Lighting Support SFL 30	0.20	0.09	2/18822

MOUNTING

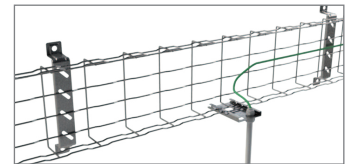
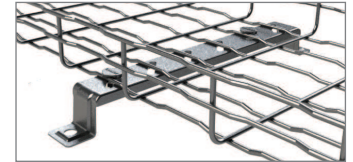


Specification Sheet

SV SUPPORT WALL/FLOOR



- Use as a stand off for Basorfil tray when mounting to floors and walls
- Attach Basorfil tray with BF Bolt/Nut Set



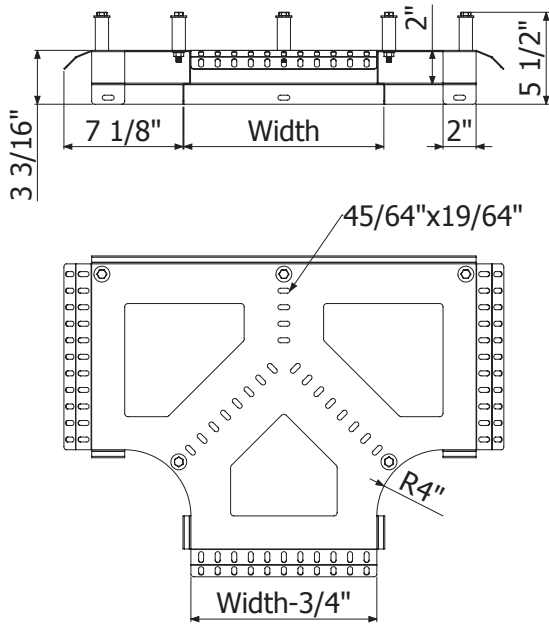
DESCRIPTION	WIDTH (W)		Ref.						
	in	mm	PG	GC	i304	Black	White	Red	Yellow
SV 4"	4"	100	2/1046	2/1050	2/1062	U/0384	U/0679	U/0479	U/0579
SV 6"	6"	150	2/1047	2/1051	2/1063	U/0385	U/0680	U/0480	U/0580
SV 8"	8"	200	2/1048	2/1052	2/1064	U/0386	U/0681	U/0481	U/0581
SV 12"	12"	300	2/1049	2/1053	2/1065	U/0387	U/0682	U/0482	U/0582
SV 16"	16"	400	2/3413	2/3418	-	U/0388	U/0683	U/0483	U/0583
SV 20"	20"	500	2/3414	2/3419	-	U/0389	U/0684	U/0484	U/0584
SV 24"	24"	600	2/3415	2/3420	-	U/0390	U/0685	U/0485	U/0585

DESCRIPTION	SAFE WORKING LOAD					
	PG		GC		i304	
	lbs/ft	kg/m	lbs/ft	kg/m	lbs/ft	kg/m
SV 4"	264	120	264	120	264	120
SV 6"	264	120	264	120	264	120
SV 8"	242	110	242	110	242	110
SV 12"	198	90	198	90	198	90
SV 16"	484	220	484	220	484	220
SV 20"	330	150	330	150	330	150
SV 24"	396	180	396	180	396	180

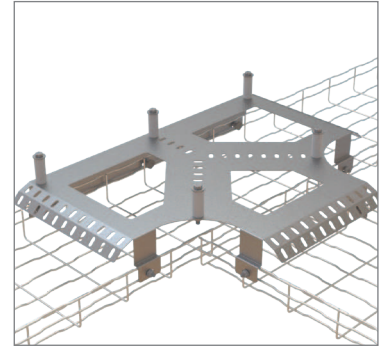
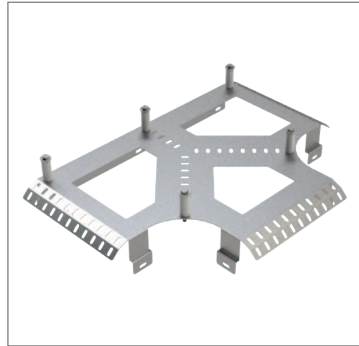
PG – Pregalvanized GC – Hot Dip Galvanized Steel i304 – Stainless Steel AISI i304

Specification Sheet

TEE BRIDGE TEPBFR



- 7 pcs Bolt Staple Set are required to attach the tee bridge to Basorfil basket trays.

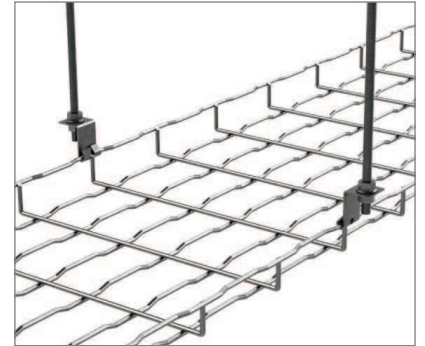


DESCRIPTION	WIDTH		WEIGHT		Ref.
	in	mm	lbs/unit	kg/ud	PG
Tee Bridge TEPBFR 6"x2/6"	6	152.4	4.87	2.21	2/18767
Tee Bridge TEPBFR 8"x2/6"	8	203.2	5.29	2.40	2/18768
Tee Bridge TEPBFR 12"x2/6"	12	304.8	7.30	3.31	2/18769
Tee Bridge TEPBFR 18"x2/6"	18	457.2	9.81	4.45	2/18770
Tee Bridge TEPBFR 24"x2/6"	24	609.6	15.44	7.00	2/18771
Tee Bridge TEPBFR 28"x6"	28	711.2	17.71	8.03	2/18788
Tee Bridge TEPBFR 36"x6"	36	914.4	22.58	10.24	2/18789
Tee Bridge TEPBFR 6"x4"	6	152.4	5.34	2.42	2/18772
Tee Bridge TEPBFR 8"x4"	8	203.2	5.51	2.50	2/18773
Tee Bridge TEPBFR 12"x4"	12	304.8	7.61	3.45	2/18774
Tee Bridge TEPBFR 18"x4"	18	457.2	10.12	4.50	2/18775
Tee Bridge TEPBFR 24"x4"	24	609.6	15.88	7.20	2/18776

TRAPEZE HANGER CLIP



- Works with any Basorfil tray
- Accepts up to 3/8" threaded rod

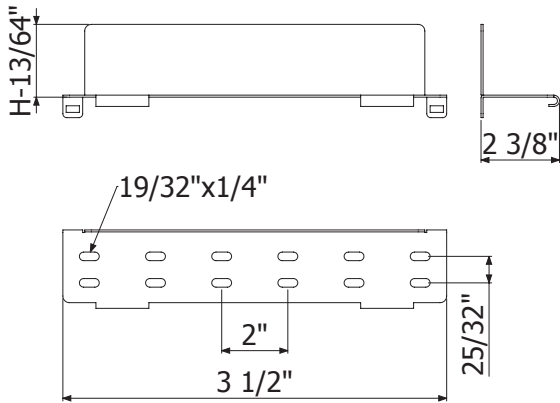


DESCRIPTION	Ref.				
	PG	Black	White	Red	Yellow
Trapeze Hanger Clip	2/5724	U/0345	U/0693	U/0493	U/0593

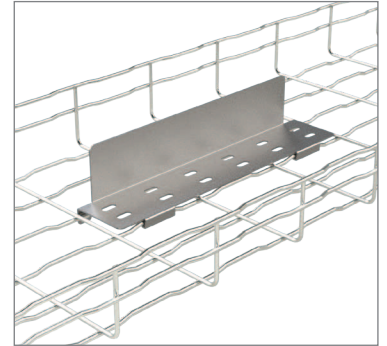
PG – Pregalvanized

Specification Sheet

TRIPLE DIVIDERS STBFR

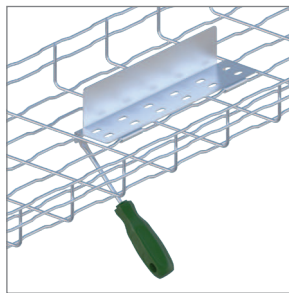
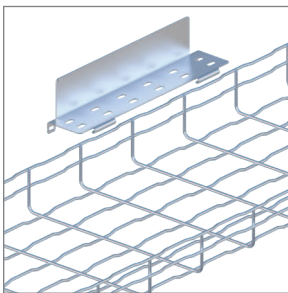


- Bolts not needed. It is attached by pressing the flanges with a flat screwdriver.



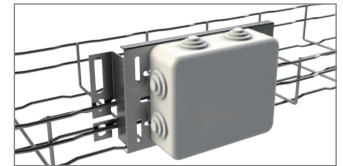
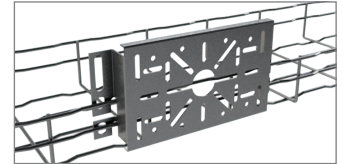
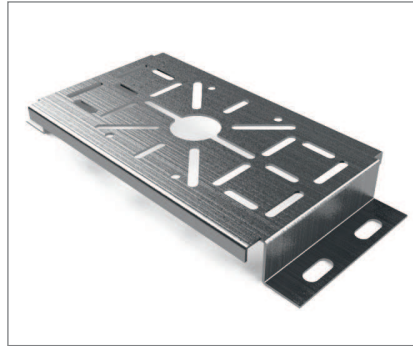
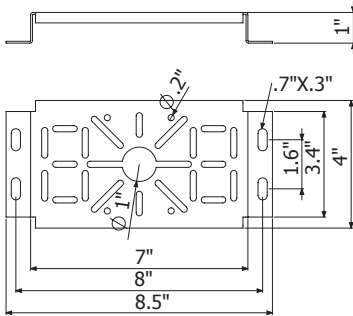
DESCRIPTION	WIDTH		WEIGHT		Ref.
	in	mm	lbs/unit	kg/ud	PG
SSTBFR 2" PG W10	2	50.8	0.72	0.33	9/02516
SSTBFR 4" PG W10	4	101.6	0.87	0.39	9/02517
SSTBFR 6" PG W10	6	152.4	0.87	0.39	9/02518

MOUNTING



UNIVERSAL BOX SUPPORT

- For mounting electrical boxes to Basorfil tray



DESCRIPTION	Ref.							
	PG	GC	i304	i316	Black	White	Red	Yellow
Universal Box Support	2/0358	2/0368	2/0378	UR	U/0336	U/0637	U/0437	U/0537

PG – Pregalvanized GC – Hot Dip Galvanized Steel i304/i316 – Stainless Steel AISI i304/i316

WALL/FLOOR SUPPORT

- Use as wall support at terminations



DESCRIPTION	Ref.				
	PG	Black	White	Red	Yellow
Wall/Floor Support	2/8228	U/0343	U/0644	U/0444	U/0544

PG – Pregalvanized

ZINC SPRAY PAINT



- Spray on cut ends when cutting tray with saw or abrasive wheel for optimum protection against corrosion.
- Not needed when using wire cutters



DESCRIPTION	Ref.
98% Zinc Spray Paint	2/7224



BE Basor

CABLE TRAY SPECIALIST



Basor Electric SA



@Basorelectric



/Basorelectric



www.basor.com

Basor Electric Inc. 604 South Mulberry Street, Suite 100 - Milstadt, IL 62260
TEL. 618.476.6300 * FAX. 618.476.6301 * TOLL FREE 844.393.3985
www.basor.us / www.basor.com