

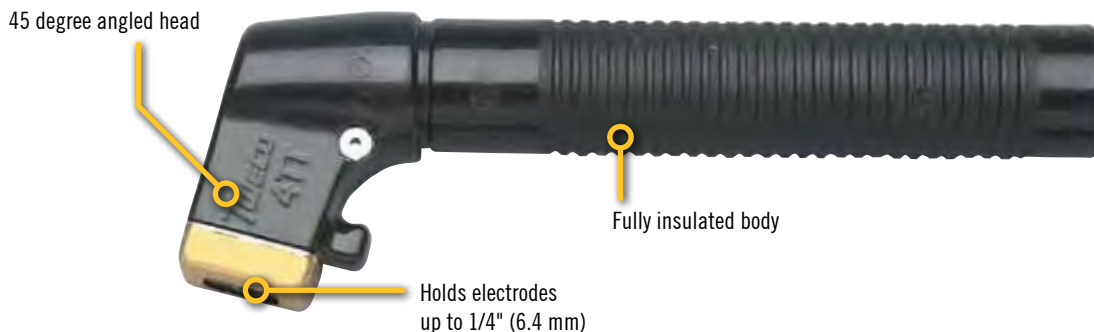
Electrode Holder Selection Guide

Style	Amperage Range							Recommended
	200	250	300	350	400	450	500	
High Profile	[Bar chart showing amperage ranges for High Profile]							A-532
	[Bar chart showing amperage ranges for High Profile]							A-316
	[Bar chart showing amperage ranges for High Profile]							A-732
TITE	[Bar chart showing amperage ranges for TITE]							4TT
Low Profile	[Bar chart showing amperage ranges for Low Profile]							A-14
	[Bar chart showing amperage ranges for Low Profile]							A-14-HD
	[Bar chart showing amperage ranges for Low Profile]							A-38-HD

TwecoTong®



Tweco-Tite



MODEL	OUTPUT			APPLICATION			
	Current (Amps)	Electrode size in (mm)	Cable Connection	Light Duty Fab	Medium Duty Fab	Heavy Duty Fab	Extra Heavy Duty Fab
TwecoTong A-532	200	5/32" (4.0 mm)	2/0 (67.4 mm)	●			
TwecoTong A-316	250	3/16" (4.8 mm)	2/0 (67.4 mm)	●	●		
TwecoTong A-732	300	7/32" (5.6 mm)	2/0 (67.4 mm)		●	●	
TwecoTong A-14	350	1/4" (6.4 mm)	2/0 (67.4 mm)		●	●	
TwecoTong A-14-HD	400	1/4" (6.4 mm)	4/0 (107 mm)			●	●
TwecoTong A-38-HD	500	3/8" (9.5 mm)	4/0 (107 mm)				●
Tweco-Tite 4TT	400	1/4" (6.4 mm)	3/0 (85 mm)	●	●	●	

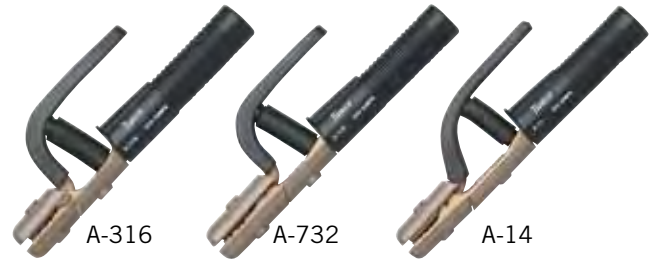
Manual Welding Products

ELECTRODE HOLDERS

Electrode Holders

TwecoTong® Electrode Holders

TwecoTong Electrode Holders are designed to mechanically hold a welding electrode in position. They are manufactured from heavy duty copper alloy and feature reversible top and bottom insulators, efficient 6-position jaw pattern, ball-point cable connections and fully insulated and protected springs.



TwecoTong Electrode Holders

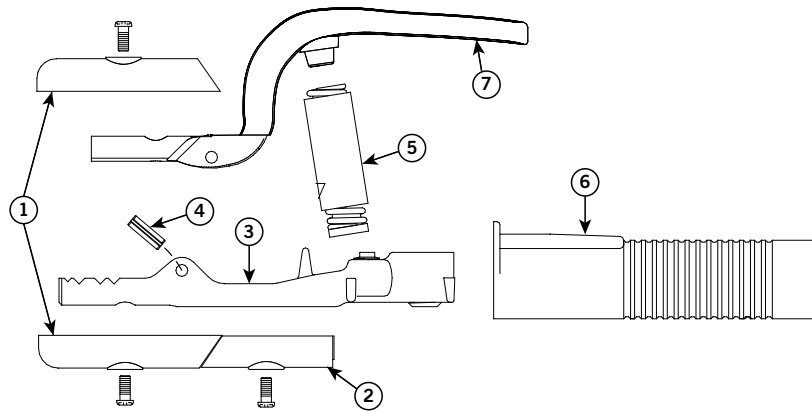
Amperage	Body Alloy	Electrode	Cable	Length	Part No.	Stock No.
200	Copper Alloy	5/32" (4.0 mm)	2/0 (67.4 mm)	8-1/2" (216 mm)	A-532*	9110-1101
200	Copper Alloy	5/32" (4.0 mm)	2/0 (67.4 mm)	8-1/2" (216 mm)	A532-MC**	9110-1109
250	Copper Alloy	3/16" (4.8 mm)	2/0 (67.4 mm)	9-1/4" (235 mm)	A-316*	9110-1102
250	Copper Alloy	3/16" (4.8 mm)	2/0 (67.4 mm)	9-1/4" (235 mm)	A316-MC**	9110-1110
300	Copper Alloy	7/32" (5.6 mm)	2/0 (67.4 mm)	10" (254 mm)	A-732*	9110-1103
300	Copper Alloy	7/32" (5.6 mm)	2/0 (67.4 mm)	10" (254 mm)	A732-MC**	9110-1111
350	Copper Alloy	1/4" (6.4 mm)	4/0 (107 mm)	11" (279 mm)	A-14	9110-1104
400	Copper Alloy	1/4" (6.4 mm)	4/0 (107 mm)	12" (305 mm)	A-14-HD	9110-1105
500	Copper Alloy	3/8" (9.5 mm)	4/0 (107 mm)	13-1/4" (336 mm)	A-38-HD	9110-1106

* Clamshell packaging. Sold individually or master packed in quantities of 12 each.

** Sold in Master Pack Boxed Quantities of 24.

TwecoTong

Replacement Parts



#	Description	A-532 Part No./Stock No.	A-316 Part No./Stock No.	A-732 Part No./Stock No.	A-14 Part No./Stock No.	A-14-HD Part No./Stock No.	A-38-HD Part No./Stock No.
1	Tip Insulation	A-532-1P 9910-2102	A-532-1P 9910-2102	A-732-1P 9910-2302	A-732-1P 9910-2302	A-732-1P 9910-2302	A-38-HD-1P 9910-2602
2	Body Insulation	A-532-3 9910-2103	A-532-3 9910-2103	A-532-3 9910-2103	A-14-3 9910-2403	A-14-3 9910-2403	A-38-HD-3 9910-2603
3	Lower Body Tong w/o Insulation	A-316-4R 9910-2204	A-316-4R 9910-2204	A-732-4 9910-2304	A-14-4 9910-2404	A-14-HD-4 9910-2504	A-38-HD-4 9910-2604
4	Hinge Pin	A-532-11 9910-2111	A-532-11 9910-2111	A-532-11 9910-2111	A-532-11 9910-2111	A-532-11 9910-2111	FGC-200-5 9910-2610
5	Spring with Insulation	A-532-6 9910-2106	A-316-6 9910-2206	A-316-6 9910-2206	N/A	N/A	N/A
6	Molded Handle	A-532-7 9910-2107	A-316-7 9910-2207	A-732-7 9910-2307	A-14-7 9910-2407	A-14-HD-7 9910-2507	A-38-HD-7 9910-2607
NS	Handle Screws	AL-300-12 9910-2712	AL-300-12 9910-2712	AL-300-12 9910-2712	AL-300-12 9910-2712	AL-300-12 9910-2712	AL-300-12 9910-2712
NS	Cable Connection Screw	A-532-24 9910-2124	A-532-24 9910-2124	A-532-24 9910-2124	A-14-24 9910-2424	A-14-24 9910-2424	A-14-24 9910-2424

MANUAL WELDING