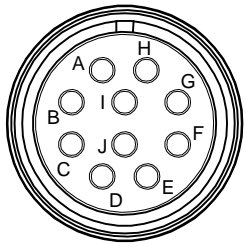


FEMALE END VIEW

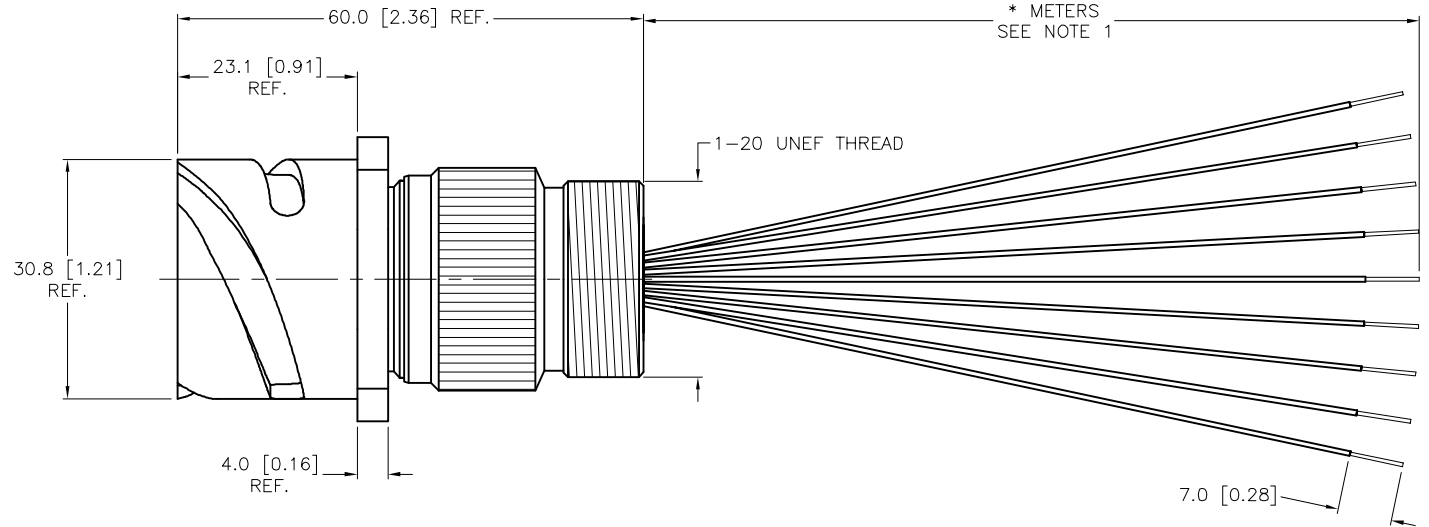
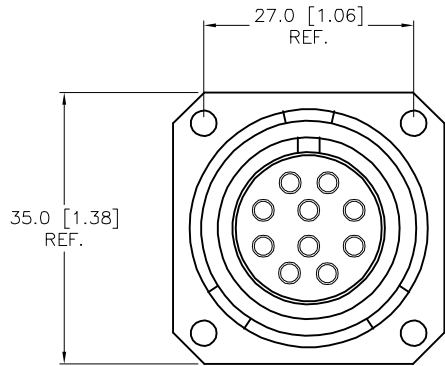


- A = ORANGE
- B = BLUE
- C = RED/BLACK
- D = GREEN/BLACK
- E = WHITE
- F = RED
- G = GREEN
- H = WHITE/BLACK
- I = BLACK
- J = N/C

CONNECTOR
 TYPE/STYLE - GT00F
 SHELL SIZE - 18
 INSERT ARRANGEMENT - 1S

SPECIFICATIONS

CONTACT CARRIER MATERIAL	NEOPRENE
CONTACT MATERIAL/PLATING	COPPER ALLOY/SILVER
HOUSING MATERIAL/PLATING	ALUMINUM ALLOY/OLIVE DRAB CHROMATE
RATED CURRENT [A]	13.0 A
RATED VOLTAGE [V]	500 V
CONDUCTOR INSULATION MATERIAL	PVC
NUMBER OF CONDUCTORS	9x16 AWG
TEMPERATURE RATING	-40°C to +105°C (-40°F to +221°F)
PROTECTION CLASS	MEETS NEMA 1,3,4,6P AND IEC IP67



CABLE LENGTH	TOLERANCE*
ALL LENGTHS	+ 4% (OR 50mm) OF LENGTH - 0% (OR 0mm) OF LENGTH WHICHEVER IS GREATER
STRIP LENGTH	TOLERANCE*
0-7mm	±0.5mm
8-29mm	±1.0mm
30-49mm	±2.0mm
50-69mm	±3.0mm
70-100mm	±4.0mm
OVER 100mm	±5.0mm

* UNLESS OTHERWISE SPECIFIED

NOTES:

1. "*" INDICATES LEAD LENGTH IN METERS. CONTACT TURCK TO ORDER SPECIFIC LENGTH.

SOURCE DRAWING - FOR REFERENCE ONLY

RELATED DOCUMENTS 1. 2. 3. 4.	3RD ANGLE PROJECTION 	THIS DRAWING IS CONFIDENTIAL AND THE PROPERTY OF TURCK INC. USE OF THIS DOCUMENT WITHOUT WRITTEN PERMISSION IS PROHIBITED.		3000 CAMPUS DRIVE MINNEAPOLIS, MN 55441 1-800-544-7769 (763) 553-7300 (763) 553-0708 fax www.turck.us	
		MATERIAL SEE SPECIFICATIONS	DRFT KMY APVD J.S.	DATE 12/09/13 SCALE 1=1.0	DESCRIPTION GT00F-18-1S-1033-*
FINISH SEE SPECIFICATIONS	ALL DIMENSIONS DISPLAYED ON THIS DRAWING ARE FOR REFERENCE ONLY	UNIT OF MEASUREMENT MILLIMETER [INCH]		IDENTIFICATION NO.	
CONTACT TURCK FOR MORE INFORMATION		DO NOT SCALE THIS DRAWING		REV B	FILE: 777032726

B	UPDATED ENDVIEW CONNECTOR TYPE PER ECO	TV	04/25/17	59846
REV	DESCRIPTION	BY	DATE	ECO NO.