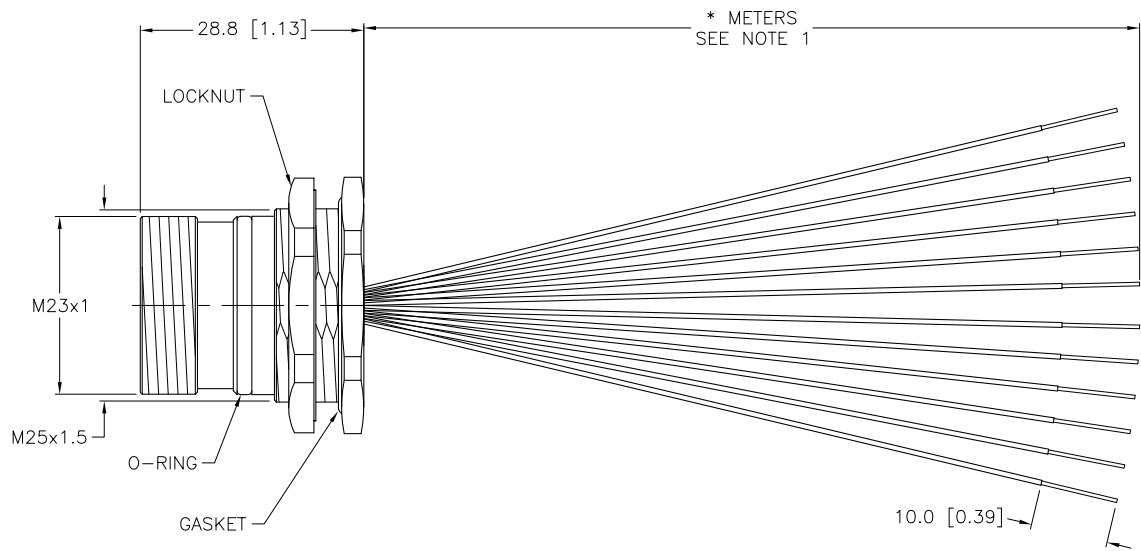
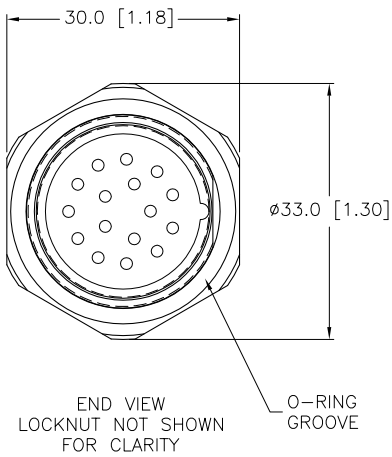


SPECIFICATIONS	
CONTACT CARRIER MATERIAL/COLOR	NYLON or PBT/GRAY
CONTACT MATERIAL/PLATING	BRASS/GOLD
CONNECTOR HOUSING MATERIAL/PLATING	BRASS/NICKEL
O-RING/GASKET MATERIAL	RUBBER (NBR or FPM)
RATED CURRENT [A]	6.0 A
RATED VOLTAGE [V]	150 V
NUMBER OF CONDUCTORS [AWG]	12x18 AWG
TEMPERATURE RATING	-40°C TO +105°C (-40°F TO +105°F)
PROTECTION CLASS	IEC IP67
MAXIMUM PANEL THICKNESS	6.5 [0.256]



CABLE LENGTH	TOLERANCE
ALL LENGTHS	+ 4% (OR 50mm) OF LENGTH - 0% (OR 0mm) OF LENGTH WHICHEVER IS GREATER
STRIP LENGTH	TOLERANCE
0-7mm	±0.5mm
8-29mm	±1.0mm
30-49mm	±2.0mm
50-69mm	±3.0mm
70-100mm	±4.0mm
OVER 100mm	±5.0mm

NOTES:
 1. "*" INDICATES LEAD LENGTH IN METERS. CONTACT TURCK TO ORDER SPECIFIC LENGTHS.

SOURCE DRAWING - FOR REFERENCE ONLY

RELATED DOCUMENTS 1. 2. 3. 4.	3RD ANGLE PROJECTION 	THIS DRAWING IS CONFIDENTIAL AND THE PROPERTY OF TURCK INC. USE OF THIS DOCUMENT WITHOUT WRITTEN PERMISSION IS PROHIBITED.		TURCK INC High Technology Sensors and Automation Controls 3000 CAMPUS DRIVE MINNEAPOLIS, MN 55441 1-800-544-7769 (763) 553-7300 (763) 553-0708 fax turck.com		
		DRFT	RDS	DATE	09/07/11	
MATERIAL	SEE SPECIFICATIONS	DSGN	SCALE	1=1.0	DESCRIPTION	CKAFD 16-12-*
FINISH	SEE SPECIFICATIONS	UNIT OF MEASUREMENT		IDENTIFICATION NO.		REV
		MILLIMETER [INCH]				A
		DO NOT SCALE THIS DRAWING		FILE: 777009550		SHEET 1 OF 1

A	DRAWING RELEASE	RDS	09/16/11	
REV	DESCRIPTION	BY	DATE	ECO NO.