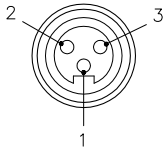
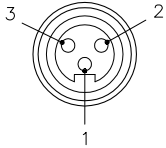
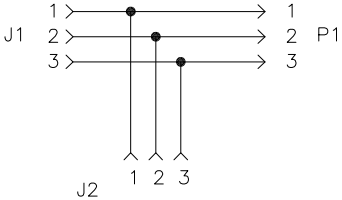


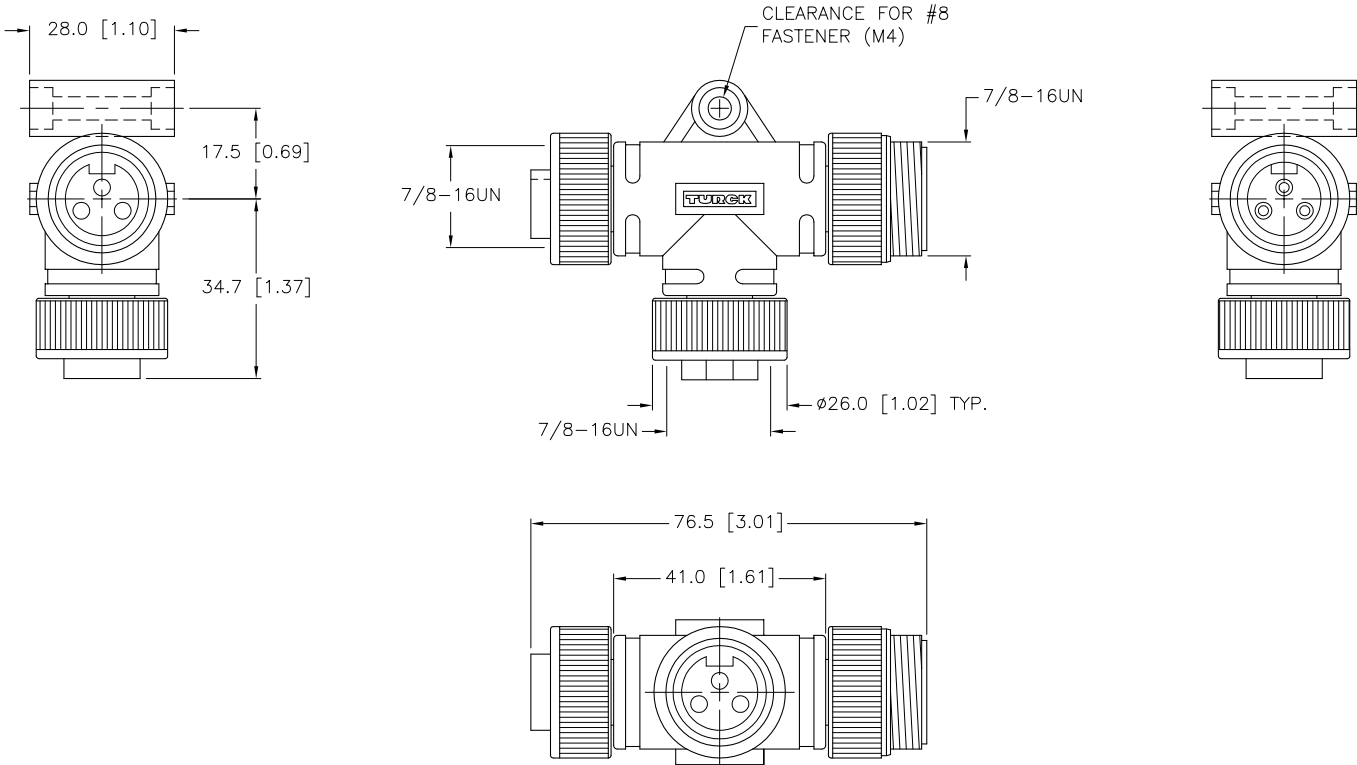

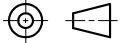


FEMALE END VIEW	MALE END VIEW	WIRING DIAGRAM	SPECIFICATIONS	
			CONTACT CARRIER MATERIAL/COLOR	TPU/YELLOW
			MOLDED HEAD MATERIAL/COLOR	TPU/YELLOW
			CONTACT MATERIAL/PLATING	BRASS/GOLD
			COUPLING NUT MATERIAL/PLATING	BRASS/NICKEL
			RATED CURRENT [A]	9.0 A
			RATED VOLTAGE [V]	250 V
			TEMPERATURE RATING	-40°C TO +80°C (-40°F TO +176°F)
			PROTECTION CLASS	MEETS NEMA 1,3,4,6P AND IEC IP67



SOURCE DRAWING - FOR REFERENCE ONLY

RELATED DOCUMENTS		3RD ANGLE PROJECTION		THIS DRAWING IS PROPERTY OF TURCK INC. USE OF THIS DOCUMENT WITHOUT WRITTEN PERMISSION IS PROHIBITED.		 High Technology Sensors and Automation Controls 3000 CAMPUS DRIVE MINNEAPOLIS, MN 55441 1-800-544-7769 (763) 553-7300 (763) 553-0708 fax turck.com	
1. 2. 3. 4.				DRFT	JMS	DATE	09/18/95
MATERIAL		ALL DIMENSIONS DISPLAYED ON THIS DRAWING ARE FOR REFERENCE ONLY		DSGN		SCALE	1=1.5
SEE SPECIFICATIONS		CONTACT TURCK FOR MORE INFORMATION		UNIT OF MEASUREMENT		DESCRIPTION	
FINISH				MILLIMETER [ INCH ]		RSM-2RKM 30	
SEE SPECIFICATIONS				DO NOT SCALE THIS DRAWING		IDENTIFICATION NO.	REV
						U1061	F
F	DRAWING PROCESSED AS PART OF ECO 33971	CBM	04/07/11	33971	FILE: U1061		
REV	DESCRIPTION	BY	DATE	ECO NO.	SHEET 1 OF 1		