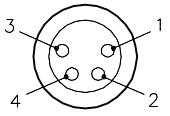
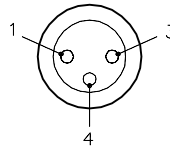
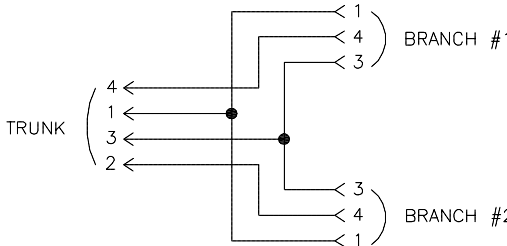
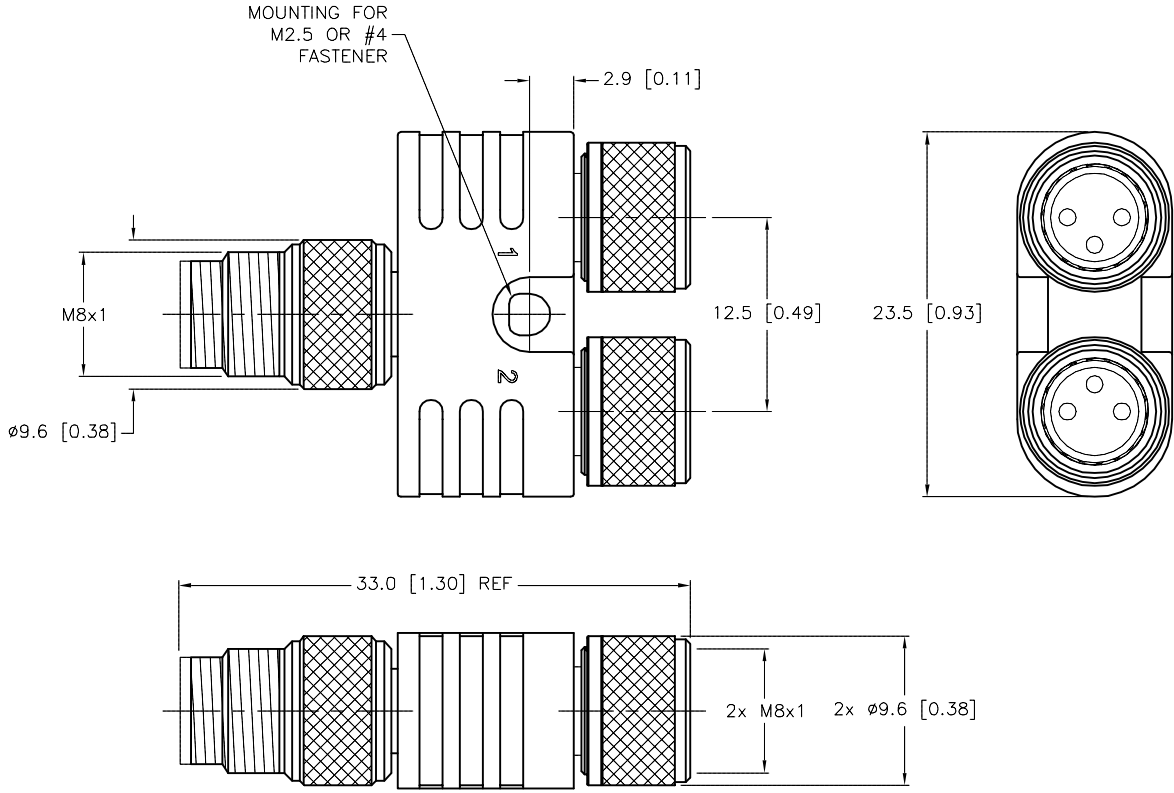
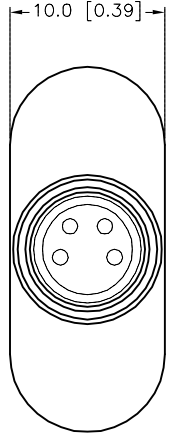
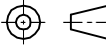


MALE END VIEW	FEMALE END VIEW	WIRING DIAGRAM	SPECIFICATIONS																			
			<table border="1"> <tr><td>CONTACT CARRIER MATERIAL/COLOR</td><td>NYLON OR TPU/BLACK</td></tr> <tr><td>MOLDED HEAD MATERIAL/COLOR</td><td>TPU/YELLOW</td></tr> <tr><td>CONTACT MATERIAL/PLATING</td><td>BRASS/GOLD</td></tr> <tr><td>COUPLING NUT MATERIAL/PLATING</td><td>BRASS/NICKEL</td></tr> <tr><td>RATED CURRENT</td><td>2.0 A</td></tr> <tr><td>RATED VOLTAGE</td><td>125 VAC/VDC</td></tr> <tr><td>NUMBER OF CONDUCTORS [AWG]</td><td>PRINTED CIRCUIT PINS</td></tr> <tr><td>TEMPERATURE RATING</td><td>-30°C to +80°C (-22°F to +176°F)</td></tr> <tr><td>PROTECTION CLASS</td><td>MEETS NEMA 1,3,4,6P AND IEC IP67</td></tr> </table>	CONTACT CARRIER MATERIAL/COLOR	NYLON OR TPU/BLACK	MOLDED HEAD MATERIAL/COLOR	TPU/YELLOW	CONTACT MATERIAL/PLATING	BRASS/GOLD	COUPLING NUT MATERIAL/PLATING	BRASS/NICKEL	RATED CURRENT	2.0 A	RATED VOLTAGE	125 VAC/VDC	NUMBER OF CONDUCTORS [AWG]	PRINTED CIRCUIT PINS	TEMPERATURE RATING	-30°C to +80°C (-22°F to +176°F)	PROTECTION CLASS	MEETS NEMA 1,3,4,6P AND IEC IP67	
CONTACT CARRIER MATERIAL/COLOR	NYLON OR TPU/BLACK																					
MOLDED HEAD MATERIAL/COLOR	TPU/YELLOW																					
CONTACT MATERIAL/PLATING	BRASS/GOLD																					
COUPLING NUT MATERIAL/PLATING	BRASS/NICKEL																					
RATED CURRENT	2.0 A																					
RATED VOLTAGE	125 VAC/VDC																					
NUMBER OF CONDUCTORS [AWG]	PRINTED CIRCUIT PINS																					
TEMPERATURE RATING	-30°C to +80°C (-22°F to +176°F)																					
PROTECTION CLASS	MEETS NEMA 1,3,4,6P AND IEC IP67																					



SOURCE DRAWING - FOR REFERENCE ONLY

RELATED DOCUMENTS 1. 2. 3. 4.	3RD ANGLE PROJECTION 	THIS DRAWING IS CONFIDENTIAL AND THE PROPERTY OF TURCK INC. USE OF THIS DOCUMENT WITHOUT WRITTEN PERMISSION IS PROHIBITED.	<div style="text-align: right;"> <p>3000 CAMPUS DRIVE MINNEAPOLIS, MN 55441 1-800-544-7769 (763) 553-7300 (763) 553-0708 fax turck.com</p> </div> <div style="text-align: center;"> <p>TURCK INC <i>High Technology Sensors and Automation Controls</i></p> </div>	
MATERIAL SEE SPECIFICATIONS	ALL DIMENSIONS DISPLAYED ON THIS DRAWING ARE FOR REFERENCE ONLY	DRFT JBJ DATE 02/12/04 APVD SCALE 1=.5	DESCRIPTION YP2-MFS 4/2MFK 3	
FINISH SEE SPECIFICATIONS	CONTACT TURCK FOR MORE INFORMATION	UNIT OF MEASUREMENT MILLIMETER [INCH] DO NOT SCALE THIS DRAWING		IDENTIFICATION NO. U0932-33 REV D FILE: U0932-33 SHEET 1 OF 1

D	UPDATE MALE COUPLING NUT	RDS	06/12/13	40191
REV	DESCRIPTION	BY	DATE	ECO NO.