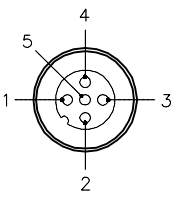
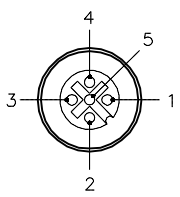
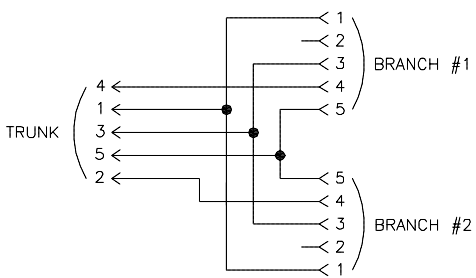
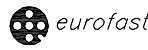
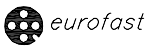
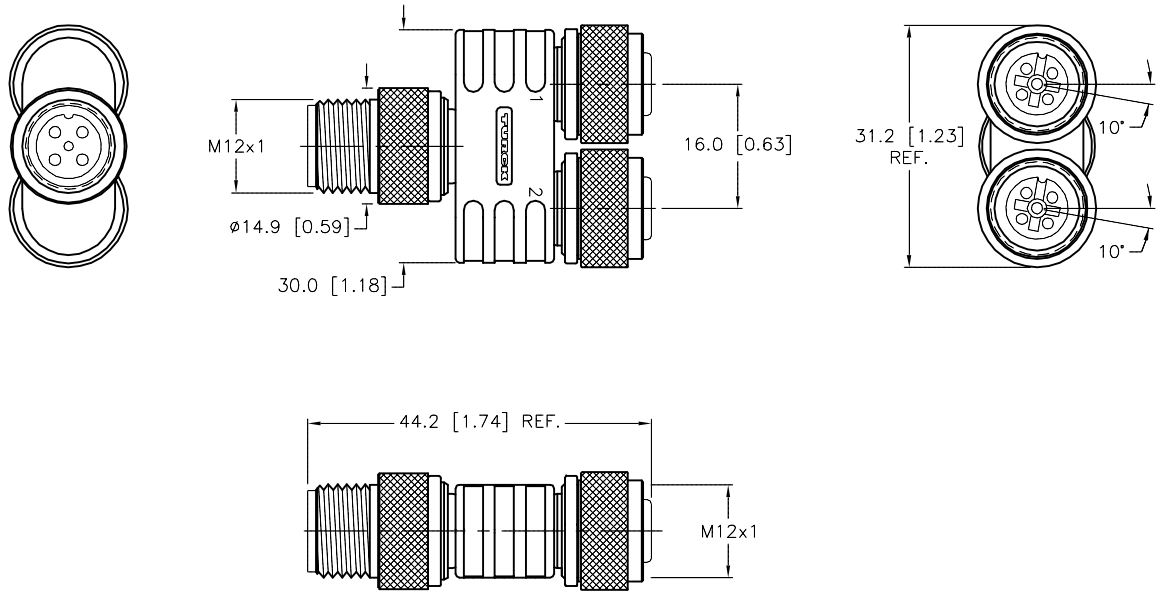


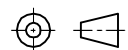
MALE END VIEW	FEMALE END VIEW	WIRING DIAGRAM	SPECIFICATIONS	
			CONTACT CARRIER MATERIAL	NYLON OR TPU
			MOLDED BODY MATERIAL/COLOR	TPU/GRAY
			CONTACT MATERIAL/PLATING	BRASS/BOLD
			COUPLING NUT MATERIAL/PLATING	BRASS/NICKEL
			RATED CURRENT [A]	4.0 A
			RATED VOLTAGE [V]	30 VAC/36 VDC
			NUMBER OF CONDUCTORS [AWG]	PRINTED CIRCUIT PINS
			TEMPERATURE RATING	-30°C to +80°C (-22°F to +176°F)
			PROTECTION CLASS	MEETS IEC IP67
			SPACINGS	to VDE 0110 GROUP C



SOURCE DRAWING - FOR REFERENCE ONLY

NOTES:

1. "/S1063" DESIGNATES KEYWAY CHANGE TO WORK WITH OLD STYLE VB 40.5 AND VB 80.5 MULTIBOXES, MOLD BODY COLOR TO BE GREY.

RELATED DOCUMENTS 1. 2. 3. 4.	3RD ANGLE PROJECTION 	THIS DRAWING IS CONFIDENTIAL AND THE PROPERTY OF TURCK INC. USE OF THIS DOCUMENT WITHOUT WRITTEN PERMISSION IS PROHIBITED.		TURCK IAC <i>High Technology Sensors and Automation Controls</i> 3000 CAMPUS DRIVE MINNEAPOLIS, MN 55441 1-800-544-7769 (763) 553-7300 (763) 553-0708 fax turck.com	
	MATERIAL SEE SPECIFICATIONS	DRFT JBJ	DATE 07/08/03	DESCRIPTION YB2-FSM 4.5-2FKM 4.5/S1063	
	FINISH SEE SPECIFICATIONS	APVD	SCALE 1=1.0	IDENTIFICATION NO. U0918-61	
		CONTACT TURCK FOR MORE INFORMATION	UNIT OF MEASUREMENT MILLIMETER [INCH]		REV D
D	UPDATE PROTECTION CLASS SPECIFICATION	KMY	07/03/13	42662	
REV	DESCRIPTION	BY	DATE	ECO NO.	
			DO NOT SCALE THIS DRAWING		FILE: U0918-61
					SHEET 1 OF 1