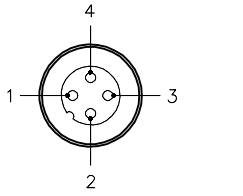
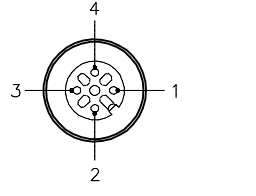
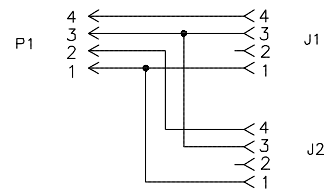
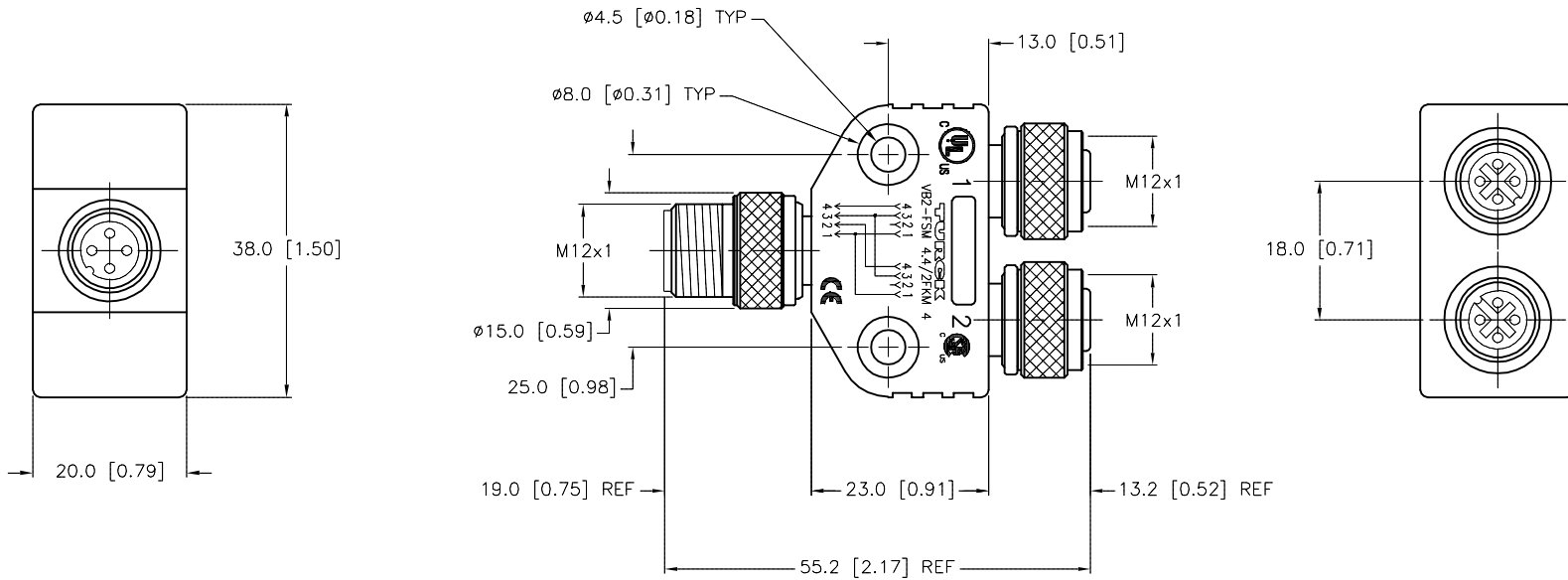
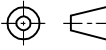



MALE END VIEW	FEMALE END VIEW	WIRING DIAGRAM	SPECIFICATIONS																	
			<table border="1"> <tr> <td>CONTACT CARRIER MATERIAL</td> <td>NYLON OR TPU</td> </tr> <tr> <td>MOLDED HEAD MATERIAL/COLOR</td> <td>TPU/YELLOW</td> </tr> <tr> <td>CONTACT MATERIAL/PLATING</td> <td>BRASS/GOLD</td> </tr> <tr> <td>COUPLING NUT MATERIAL/PLATING</td> <td>BRASS/NICKEL</td> </tr> <tr> <td>RATED CURRENT [A]</td> <td>4.0 A</td> </tr> <tr> <td>RATED VOLTAGE [V]</td> <td>250 VAC/300 VDC</td> </tr> <tr> <td>TEMPERATURE RATING</td> <td>-40°C to +105°C (-40°F to +221°F)</td> </tr> <tr> <td>PROTECTION CLASS</td> <td>MEETS NEMA 1,3,4,6P AND IEC IP68</td> </tr> </table>	CONTACT CARRIER MATERIAL	NYLON OR TPU	MOLDED HEAD MATERIAL/COLOR	TPU/YELLOW	CONTACT MATERIAL/PLATING	BRASS/GOLD	COUPLING NUT MATERIAL/PLATING	BRASS/NICKEL	RATED CURRENT [A]	4.0 A	RATED VOLTAGE [V]	250 VAC/300 VDC	TEMPERATURE RATING	-40°C to +105°C (-40°F to +221°F)	PROTECTION CLASS	MEETS NEMA 1,3,4,6P AND IEC IP68	
CONTACT CARRIER MATERIAL	NYLON OR TPU																			
MOLDED HEAD MATERIAL/COLOR	TPU/YELLOW																			
CONTACT MATERIAL/PLATING	BRASS/GOLD																			
COUPLING NUT MATERIAL/PLATING	BRASS/NICKEL																			
RATED CURRENT [A]	4.0 A																			
RATED VOLTAGE [V]	250 VAC/300 VDC																			
TEMPERATURE RATING	-40°C to +105°C (-40°F to +221°F)																			
PROTECTION CLASS	MEETS NEMA 1,3,4,6P AND IEC IP68																			



SOURCE DRAWING - FOR REFERENCE ONLY

RELATED DOCUMENTS 1. 2. 3. 4.	3RD ANGLE PROJECTION 	THIS DRAWING IS CONFIDENTIAL AND THE PROPERTY OF TURCK INC. USE OF THIS DOCUMENT WITHOUT WRITTEN PERMISSION IS PROHIBITED.	<div style="text-align: right;"> <p>3000 CAMPUS DRIVE MINNEAPOLIS, MN 55441 1-800-544-7769 (763) 553-7300 (763) 553-0708 fax www.turck.us</p> </div> <div style="text-align: center;">  </div>																										
MATERIAL FINISH	ALL DIMENSIONS DISPLAYED ON THIS DRAWING ARE FOR REFERENCE ONLY CONTACT TURCK FOR MORE INFORMATION	<table border="1"> <tr> <td>DRFT</td> <td>SWC</td> <td>DATE</td> <td>09/18/95</td> </tr> <tr> <td>APVD</td> <td></td> <td>SCALE</td> <td>1=1.0</td> </tr> <tr> <td colspan="4" style="text-align: center;">UNIT OF MEASUREMENT</td> </tr> <tr> <td colspan="4" style="text-align: center;">MILLIMETER [INCH]</td> </tr> </table>	DRFT	SWC	DATE	09/18/95	APVD		SCALE	1=1.0	UNIT OF MEASUREMENT				MILLIMETER [INCH]				<table border="1"> <tr> <td colspan="2">DESCRIPTION</td> </tr> <tr> <td colspan="2" style="text-align: center;">VB2-FSM 4.4/2FKM 4</td> </tr> <tr> <td>IDENTIFICATION NO.</td> <td>REV</td> </tr> <tr> <td style="text-align: center;">U0098</td> <td style="text-align: center;">H</td> </tr> <tr> <td>FILE: U0098</td> <td>SHEET 1 OF 1</td> </tr> </table>	DESCRIPTION		VB2-FSM 4.4/2FKM 4		IDENTIFICATION NO.	REV	U0098	H	FILE: U0098	SHEET 1 OF 1
DRFT	SWC	DATE	09/18/95																										
APVD		SCALE	1=1.0																										
UNIT OF MEASUREMENT																													
MILLIMETER [INCH]																													
DESCRIPTION																													
VB2-FSM 4.4/2FKM 4																													
IDENTIFICATION NO.	REV																												
U0098	H																												
FILE: U0098	SHEET 1 OF 1																												
<table border="1"> <tr> <td>H</td> <td>UPDATE CLICHE</td> <td>NF</td> <td>07/27/18</td> <td>65811</td> </tr> <tr> <td>REV</td> <td>DESCRIPTION</td> <td>BY</td> <td>DATE</td> <td>ECO NO.</td> </tr> </table>	H	UPDATE CLICHE	NF	07/27/18	65811	REV	DESCRIPTION	BY	DATE	ECO NO.			DO NOT SCALE THIS DRAWING																
H	UPDATE CLICHE	NF	07/27/18	65811																									
REV	DESCRIPTION	BY	DATE	ECO NO.																									