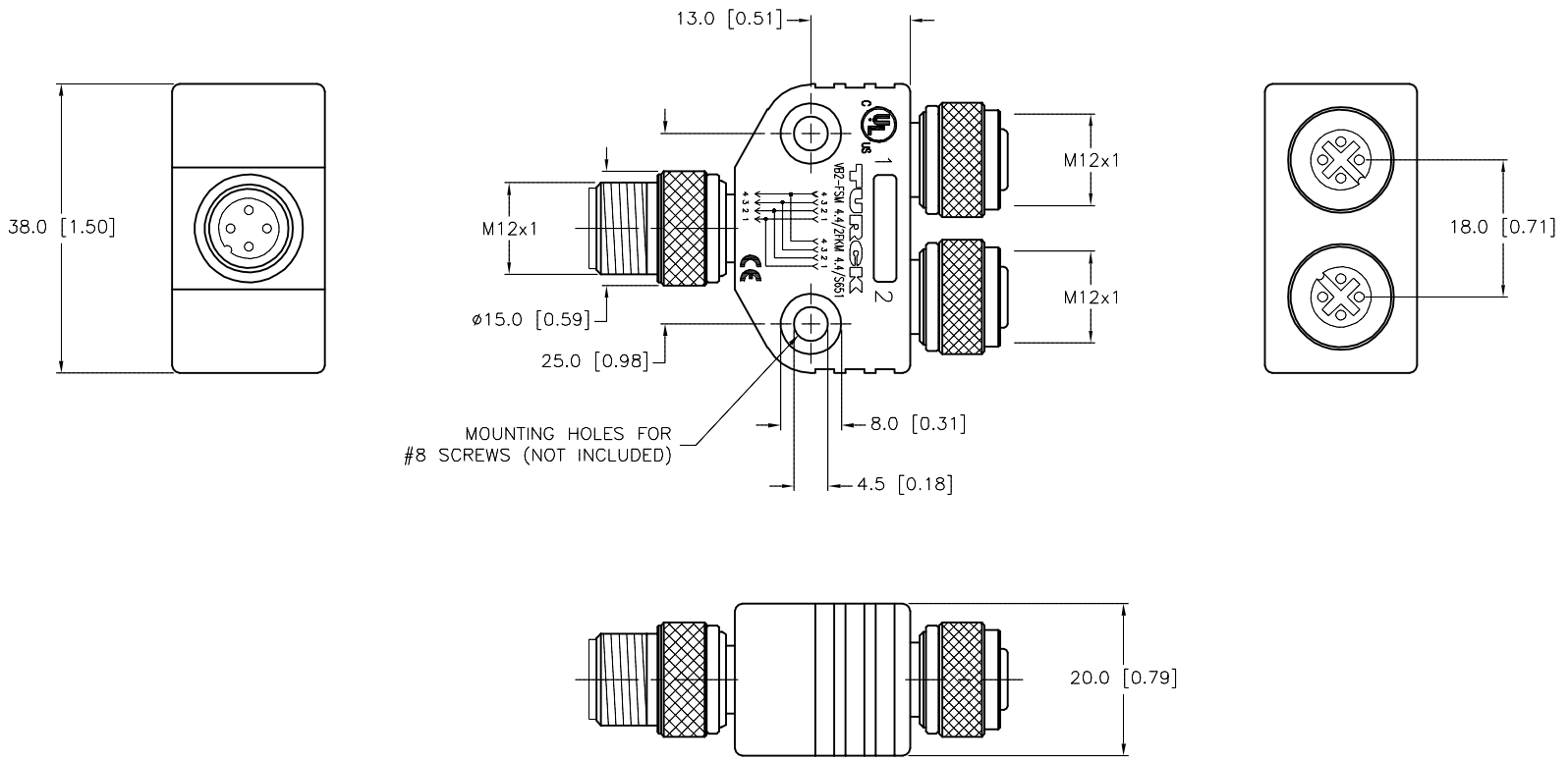


FEMALE END VIEW	MALE END VIEW	WIRING DIAGRAM	SPECIFICATIONS	
			CONTACT CARRIER MATERIAL	NYLON OR TPU
			MOLDED HEAD MATERIAL/COLOR	TPU/YELLOW
			CONTACT MATERIAL/PLATING	BRASS/GOLD
			COUPLING NUT MATERIAL/PLATING	BRASS/NICKEL
			RATED CURRENT [A]	4.0 A
			RATED VOLTAGE [V]	250 V
			TEMPERATURE RATING	-40°C to +105°C (-40°F to +221°F)
			PROTECTION CLASS	MEETS NEMA 1,3,4,6P AND IEC IP68



SOURCE DRAWING - FOR REFERENCE ONLY

NOTES:
1. "/S651" DESIGNATES PARALLEL WIRED.

RELATED DOCUMENTS		3RD ANGLE PROJECTION	THIS DRAWING IS CONFIDENTIAL AND THE PROPERTY OF TURCK INC. USE OF THIS DOCUMENT WITHOUT WRITTEN PERMISSION IS PROHIBITED.		3000 CAMPUS DRIVE MINNEAPOLIS, MN 55441 1-800-544-7769 (763) 553-7300 (763) 553-0708 fax www.turck.us	
1.				DRFT	RJP	DATE
2.		ALL DIMENSIONS DISPLAYED ON THIS DRAWING ARE FOR REFERENCE ONLY		APVD		SCALE
3.			CONTACT TURCK FOR MORE INFORMATION	UNIT OF MEASUREMENT		DESCRIPTION
4.		MILLIMETER [INCH]		VB2-FSM 4.4/2FKM 4.4/S651		
MATERIAL		SEE SPECIFICATIONS		IDENTIFICATION NO.		REV
FINISH		SEE SPECIFICATIONS		U0098-1		F
DO NOT SCALE THIS DRAWING		FILE: U0098-1		SHEET 1 OF 1		

F	UPDATE CLICHE	TR	08/29/18	65811
REV	DESCRIPTION	BY	DATE	ECO NO.