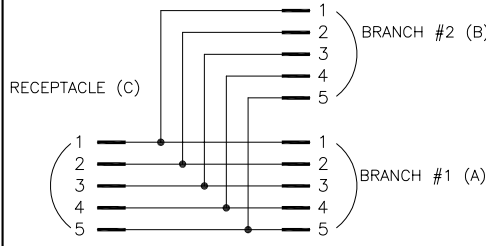
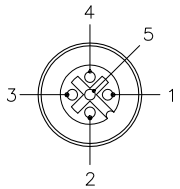
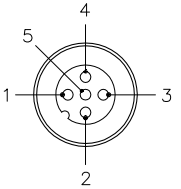


MALE END VIEW

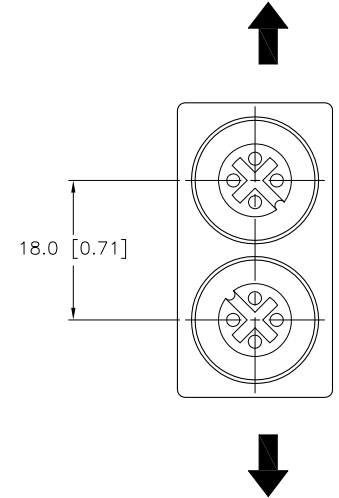
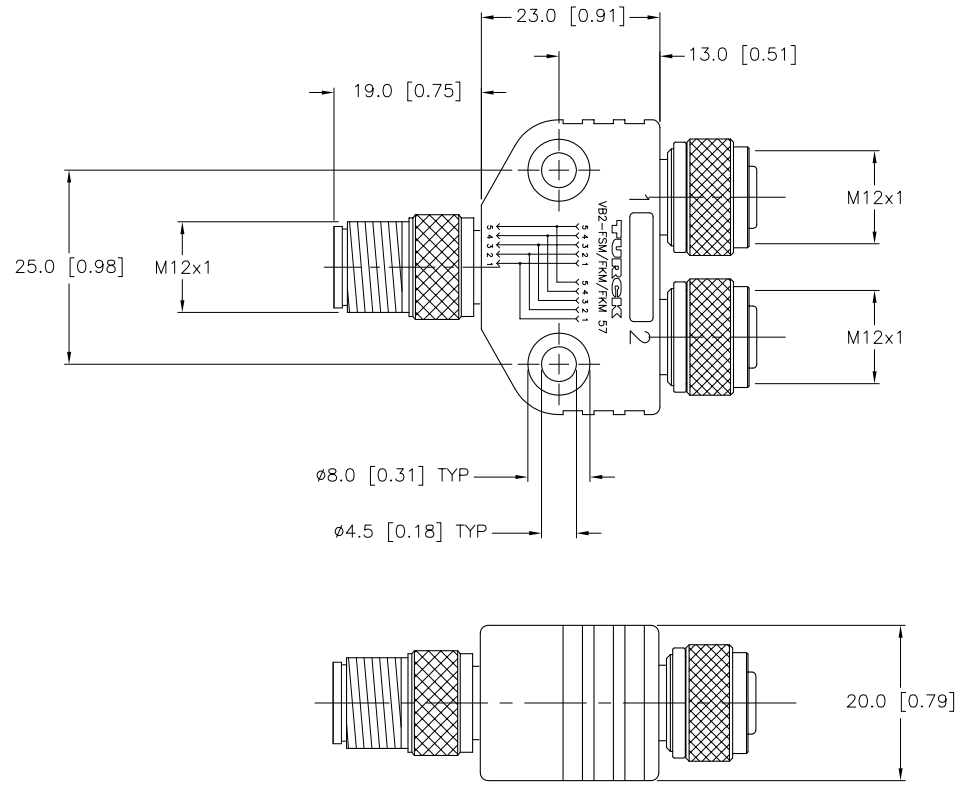
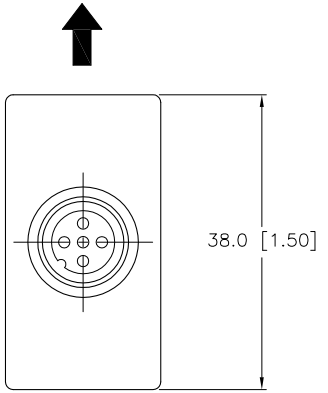
FEMALE END VIEW

WIRING DIAGRAM

SPECIFICATIONS



CONTACT CARRIER MATERIAL	NYLON OR TPU/BLEU-GRAY
MOLDED HEAD MATERIAL/COLOR	TPU/BLEU-GRAY
CONTACT MATERIAL/PLATING	BRASS/GOLD
COUPLING NUT MATERIAL/PLATING	BRASS/NICKEL
RATED CURRENT [A]	4.0 A
RATED VOLTAGE [V]	250 V
TEMPERATURE RATING	-40°C to +105°C (-40°F to +221°F)
PROTECTION CLASS	MEETS NEMA 1,3,4,6P AND IEC IP67
RIGHT-ANGLE CORDSET DIRECTION SYMBOL	←



SOURCE DRAWING - FOR REFERENCE ONLY

RELATED DOCUMENTS		3RD ANGLE PROJECTION		THIS DRAWING IS PROPERTY OF TURCK INC. USE OF THIS DOCUMENT WITHOUT WRITTEN PERMISSION IS PROHIBITED.		TURCK INC High Technology Sensors and Automation Controls 3000 CAMPUS DRIVE MINNEAPOLIS, MN 55441 1-800-544-7769 (763) 553-7300 (763) 553-0708 fax turck.com	
1.			ALL DIMENSIONS DISPLAYED ON THIS DRAWING ARE FOR REFERENCE ONLY	DRFT	JBJ	DATE	07/13/99
2.				DSGN		SCALE	1=1.0
3.				UNIT OF MEASUREMENT		IDENTIFICATION NO.	
4.				MILLIMETER [INCH]		U0095-3	
MATERIAL		SEE SPECIFICATIONS		CONTACT TURCK FOR MORE INFORMATION		REV	
FINISH		SEE SPECIFICATIONS		DO NOT SCALE THIS DRAWING		E	
E	DRAWING PROCESSED AS PART OF ECO 33971	CBM	04/07/11	33971	FILE: U0095-3		SHEET 1 OF 1
REV	DESCRIPTION	BY	DATE	ECO NO.			