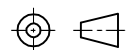



CABLE LENGTH	TOLERANCE*
ALL LENGTHS	+ 4% (OR 50mm) OF LENGTH - 0% (OR 0mm) OF LENGTH WHICHEVER IS GREATER
STRIP LENGTH	TOLERANCE*
0-7mm	±0.5mm
8-29mm	±1.0mm
30-49mm	±2.0mm
50-69mm	±3.0mm
70-100mm	±4.0mm
OVER 100mm	±5.0mm

\* UNLESS OTHERWISE SPECIFIED

- NOTES:
- "\*" INDICATES CABLE LENGTH IN METERS. CONTACT TURCK TO ORDER SPECIFIC LENGTHS.
  - "S857" DESIGNATES MOUNTING HOLE.
  - "/S1587" DESIGNATES WELDLIFE CABLE.

SOURCE DRAWING - FOR REFERENCE ONLY

RELATED DOCUMENTS 1. 2. 3. 4.	3RD ANGLE PROJECTION 	THIS DRAWING IS CONFIDENTIAL AND THE PROPERTY OF TURCK INC. USE OF THIS DOCUMENT WITHOUT WRITTEN PERMISSION IS PROHIBITED.	<div style="text-align:center;">  </div> 3000 CAMPUS DRIVE MINNEAPOLIS, MN 55441 1-800-544-7769 (763) 553-7300 (763) 553-0708 fax www.turck.us	<table border="1" style="width:100%; border-collapse: collapse;"> <tr> <td>DRFT</td> <td>RDS</td> <td>DATE</td> <td>07/26/11</td> <td rowspan="2">DESCRIPTION VBRS 4.4-2WK 4T-*/*/S857/S1587 (a)(b)</td> </tr> <tr> <td>APVD</td> <td></td> <td>SCALE</td> <td>1=1.5</td> </tr> <tr> <td colspan="4" style="text-align:center;">UNIT OF MEASUREMENT <b>MILLIMETER [ INCH ]</b></td> <td>IDENTIFICATION NO.</td> </tr> <tr> <td colspan="4" style="text-align:center;">CONTACT TURCK FOR MORE INFORMATION</td> <td>REV D</td> </tr> </table>	DRFT	RDS	DATE	07/26/11	DESCRIPTION VBRS 4.4-2WK 4T-*/*/S857/S1587 (a)(b)	APVD		SCALE	1=1.5	UNIT OF MEASUREMENT <b>MILLIMETER [ INCH ]</b>				IDENTIFICATION NO.	CONTACT TURCK FOR MORE INFORMATION				REV D
DRFT	RDS	DATE	07/26/11	DESCRIPTION VBRS 4.4-2WK 4T-*/*/S857/S1587 (a)(b)																			
APVD		SCALE	1=1.5																				
UNIT OF MEASUREMENT <b>MILLIMETER [ INCH ]</b>				IDENTIFICATION NO.																			
CONTACT TURCK FOR MORE INFORMATION				REV D																			
MATERIAL SEE SPECIFICATIONS		DO NOT SCALE THIS DRAWING		FILE: 777027929																			
FINISH SEE SPECIFICATIONS				SHEET 1 OF 1																			

D	ADD LETTER TO DESIGNATE CABLE LENGTHS PER ECO	TV	10/31/17	62837
REV	DESCRIPTION	BY	DATE	ECO NO.