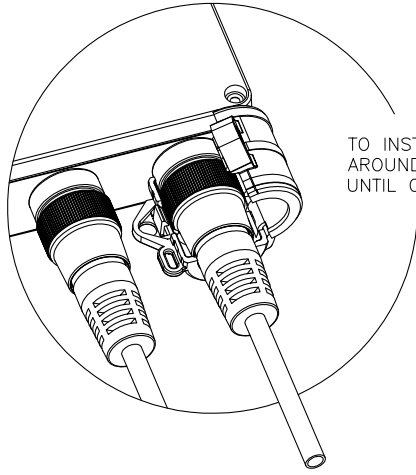


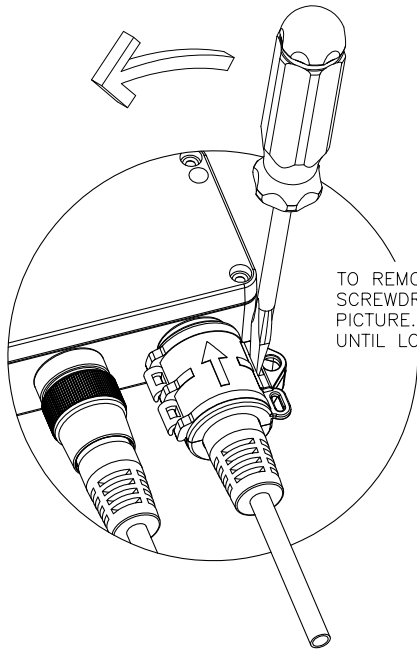
SPECIFICATIONS

HOUSING MATERIAL/COLOR

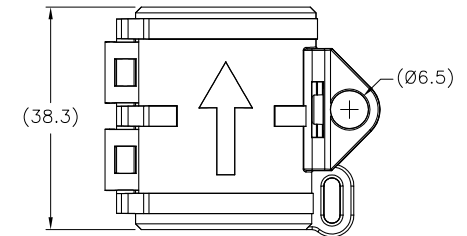
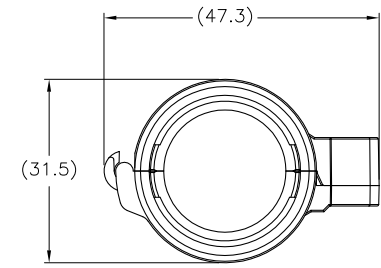
NYLON 66/YELLOW



TO INSTALL LOCKOUT DEVICE, PLACE AROUND CORDSET END AND CLOSE UNTIL CONNECTOR SNAPS CLOSED.

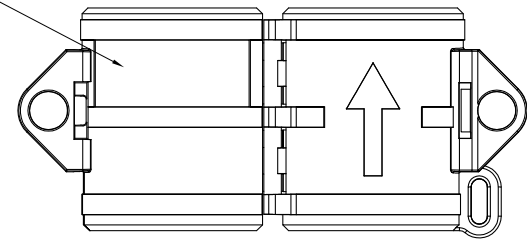


TO REMOVE LOCKOUT DEVICE, INSERT SMALL SCREWDRIVER INTO LOCKING GROOVE AS SHOWN IN PICTURE. ROTATE SCREWDRIVER IN DIRECTION SHOWN UNTIL LOCKING DEVICE RELEASES.



RECEPTACLE FOR OPTIONAL TETHER STRAP

CAUTION LABEL



OPENED VIEW OF LOCKOUT DEVICE

SOURCE DRAWING - FOR REFERENCE ONLY

LOCKOUT DEVICE FITS TURCK MOLDED MINIFAST A SIZED CORDSETS TO MINIFAST RECEPTACLES.

RELATED DOCUMENTS		3RD ANGLE PROJECTION		THIS DRAWING IS PROPERTY OF TURCK INC. USE OF THIS DOCUMENT WITHOUT WRITTEN PERMISSION IS PROHIBITED.		 3000 CAMPUS DRIVE MINNEAPOLIS, MN 55441 1-800-544-7769 (763) 553-7300 (763) 553-0708 fax turck.com	
1.				DRFT RDS		DATE 05/21/09	
2.				DSGN		SCALE 1=1.3	
3.		ALL DIMENSIONS DISPLAYED ON THIS DRAWING ARE FOR REFERENCE ONLY		UNIT OF MEASUREMENT		DESCRIPTION	
4.				MILLIMETERS		LOCK-A POWER	
MATERIAL		CONTACT TURCK FOR MORE INFORMATION		DO NOT SCALE THIS DRAWING		IDENTIFICATION NO.	
FINISH						A9566	
A		DRAWING RELEASE		RDS		REV	
REV		DESCRIPTION		BY		A	
		05/26/09		ECO NO.		FILE: A9566	
						SHEET 1 OF 1	