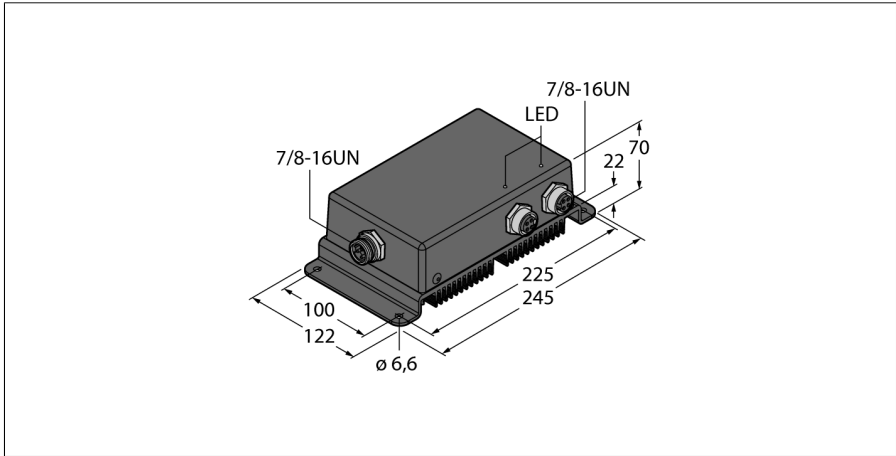
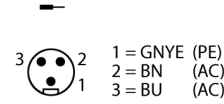


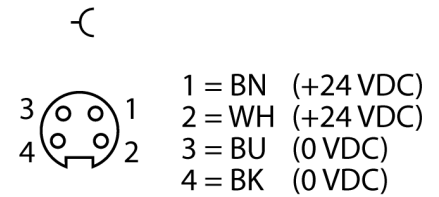
Compact power supply module in IP67
24 VDC output voltage - 2 x 3.8 A output current
PSU67-12-2480/M



7/8" Input Assignment

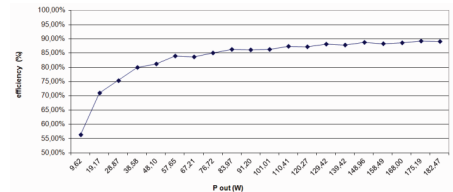


7/8" Output Assignment



Type designation	PSU67-12-2480/M
Ident-No.	6884148
Nominal voltage	Universal voltage supply unit
Operating voltage	100...240 VAC
Frequency	50...60 Hz
Operating voltage range	100...300 VDC
Power consumption	≤ 205 VA
Power dissipation, typ.	≤ 22 W
Mains buffering	Ui: 100...240 VAC/ 50 ms
Nominal output voltage	24 V
Nominal current	7.6 A
Overload protection	105-130 %
Parallel mode	no
Ripple	240 mV
Short-circuit behaviour	Current limiting
Approval	CE compliant UL certified RoHS compliant Safety extra low voltage SELV acc. to EN 60950-1: 2016 + A11: 2009 + A1: 2010 + A12: 2011 + A2: 2013 (Information technology equipment - safety) EN 61000-6-2: 2005 (Immunity) EN 61000-6-3: 2007 + A1: 2011 (Emission) EN 61000-3-2: 2006 + A1: 2009 + A2: 2009 (Harmonics)
Approval	CE compliant UL certified RoHS compliant Safety extra low voltage SELV acc. to EN 60950-1: 2016 + A11: 2009 + A1: 2010 + A12: 2011 + A2: 2013 (Information technology equipment - safety) EN 61000-6-2: 2005 (Immunity) EN 61000-6-3: 2007 + A1: 2011 (Emission) EN 61000-3-2: 2006 + A1: 2009 + A2: 2009 (Harmonics)
Operational readiness	LED green

Characteristic



Compact power supply module in IP67
24 VDC output voltage - 2 x 3.8 A output current
PSU67-12-2480/M

Protection class	IP67
Ambient temperature	-25...+60 °C
Storage temperature	-40...+85 °C
Derating	2 % / K (50 °C)
Dimensions	122 x 245 x 70 mm
Weight	3268 g
Housing material	Aluminium, ADC-12
Electrical connection	Connector
MTTF	54 years
MTTF note	acc. to SN 29500 (Ed. 99) 40 °C